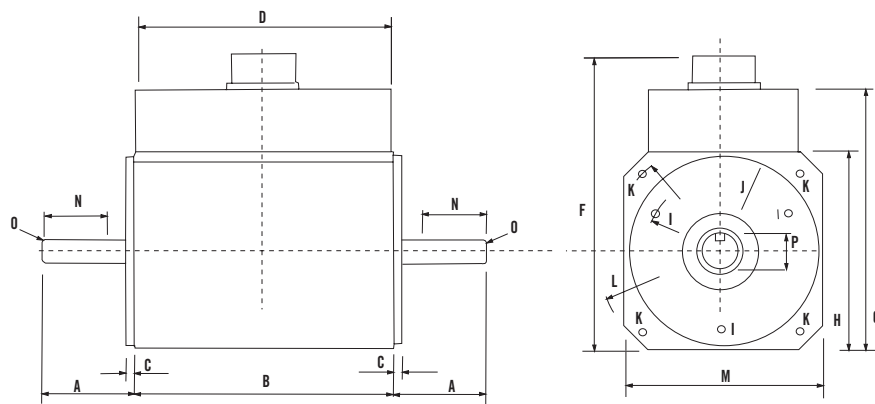


ORTT Optical Rotary Torque Transducers

MODEL	IMPERIAL	METRIC	S.I.
1 to 3	1ozf.in to 5ozf.in	100gf.cm to 500gf.cm	10mNn to 50mNm
4 to 7	10ozf.in to 100ozf.in	1Kgm.cm. to 10Kgf.cm	100mNn to 1Nm
8 to 11	10lbf.in to 100lbf.in	1Kgmf.cm. to 100Kgmf.cm	2Nn to 10Nm
12 to 14	200lbf.in to 1000lbf.in	200Kgmf.cm. to 10Kgmf.m	20Nn to 100Nm
15 to 16	100lbf.ft to 200lbf.ft	20Kgmf.m. to 50Kgmf.m	200Nn to 500Nm
17 to 18	500lbf.ft to 1000lbf.ft	100Kgmf.m	1000Nm
19	2000lbf.ft	200Kgmf.m	2000Nm

Features

- * High Sensitivity with Low Inertia
- * Solid State Optics
- * Non Contact with High Safety Factor
- * Extended Speed Range
- * User Serviceable



IMPERIAL SIZES

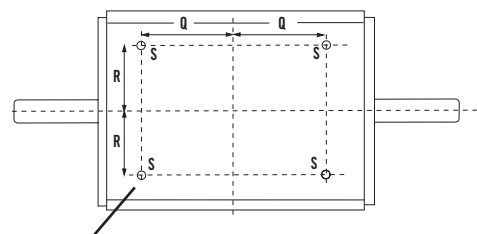
METRIC SHAFT SIZES

MODELS	A	B	C	D	E	F	G	H	I	J	K	L	M	N	O	P	P
1-3	1.000"	3.000"	0.1000"	2.750"	1.650"	3.200"	2.800"	2.150"	1.500" PCD	dia 2.360"	2.360"	RAD1.360	2.150"	PLAIN OR FLAT	0.125"		3mm
4-7	1.000"	3.000"	0.1000"	2.750"	1.650"	3.200"	2.800"	2.150"	1.500" PCD	dia 2.360"	2.360"	RAD1.360	2.150"	PLAIN OR FLAT	0.250"		6mm
8-11	1.575"	3.850"	0.100"	2.750"	1.650"	3.275"	2.900"	2.250"	2.000" PCD	dia 2.360"	2.360"	RAD1.400"	2.250"	PLAIN OR KEYED	0.500"		12mm
12-14	2.150"	5.700"	0.100"	2.750"	1.650"	4.250"	3.750"	3.080"	2.000" PCD	dia 2.500"	2.880"	RAD 1.625"	2.725"	KEYED 6mm x 45.5	0.750"		20mm
15-16	2.560"	4.450"	0.150"	2.750"	1.650"	4.250"	3.750"	3.080"	2.000" PCD	2.80"	2.880"	1.750"	3.080"	KEYED 10mm x 50mm	1.125"		30mm

FOR OTHER SIZES CONSULT FACTORY

Q	R	S
1.150"	0.660"	3mm
1.150"	0.660"	3mm

BASE MOUNTING DETAILS



BASE MOUNTING HOLES
DIRECT OR VIA MOUNTING PLATE

Transducer mounting

RPM speed detection

Bearings

Installation is possible by flange mounting or base mounted either direct or via available adaptor plate

Speed detection is carried out by a solid state detector and a sixty line encoder disc

Angular contact grease filled bearings are fitted as standard, for high speeds special bearings are available and oil mist lubrication if necessary



Timesync Controls Ltd

Torque Systems

Calibration Services

Electronic Manufacture

Web Tension Control

Unit 6, Beaumont Business Centre, Beaumont Close, Banbury, Oxon OX16 1TN

Telephone: 01295 273994 facsimile: 01295 269695

e-mail: ctimesync@aol.com www.timesynccontrols.co.uk