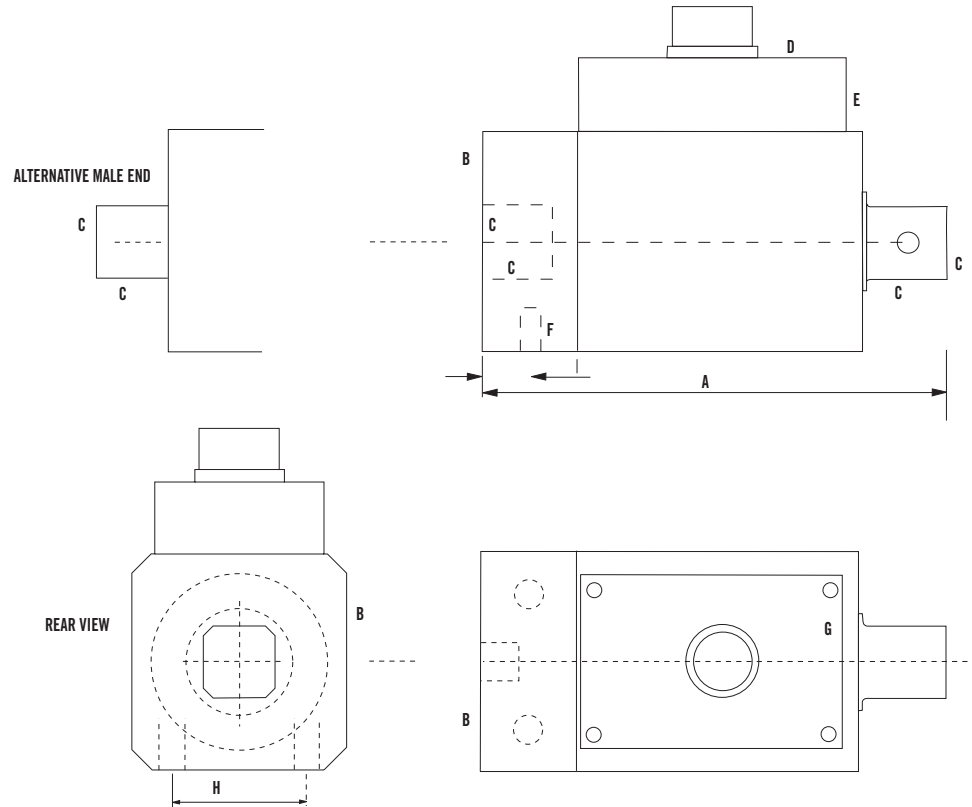


UVTT Strain Gauge Torque Transducers

FEATURES

- Compact Rugged Design
- Choice of Mounting - Base or In-Line
- On Board Processing
- High Accuracy

| MODELS | IMPERIAL | METRIC | SI |
|-----------|--------------------------|------------------------|--------------------|
| 1 - 2 - 3 | 10lbf.in to 50lbf.in | 10Kgf.cm to 50Kgf.cm | 1Nm to 5Nm |
| 4 - 5 | 100lbf.in to 200lbf.in | 100Kgf.cm to 200Kgf.cm | 10Nm to 20Nm |
| 6 - 7 | 500lbf.in to 100lbf.ft | 500Kgf.cm to 10Kgf.m | 50Nm to 100Nm |
| 8 - 9 | 200lbf.ft to 500lbf.ft | 20Kgf.m to 50Kgf.m | 200Nm to 500Nm |
| 10 - 11 | 1000lbf.ft to 2000lbf.ft | 100Kgf.m to 200Kgf.m | 10000Nm to 20000Nm |
| 12 | 5000lbf.ft | 500Kgf.m | 50000Nm |



AF SIZES

| A | B | C | D | E | F | G | H | I |
|-------|------|---------------|------|------|------|------|------|--------|
| 75mm | 39mm | 0.25" 6.00mm | 47mm | 10mm | 6mm | 30mm | 25mm | 8.75mm |
| 80mm | 39mm | 0.375" 10.0mm | 47mm | 10mm | 6mm | 30mm | 25mm | 8.75mm |
| 85mm | 39mm | 0.500" 12.0mm | 47mm | 10mm | 6mm | 30mm | 25mm | 8.75mm |
| 100mm | 50mm | 0.750" 20.0mm | 47mm | 10mm | 10mm | 30mm | 30mm | 12mm |
| 120mm | 70mm | 1.000" 25.0mm | 47mm | 10mm | 12mm | 30mm | 50mm | 20mm |
| 120mm | 80mm | 1.500" 39.0mm | 47mm | NA | 12mm | NA | 60mm | 20mm |

FOR OTHER SIZES OR DRIVE ARRANGEMENTS CONSULT FACTORY



Timesync Controls Ltd

Torque Systems

Calibration Services

Electronic Manufacture

Web Tension Control

Unit 6, Beaumont Business Centre, Beaumont Close, Banbury, Oxon OX16 1TN
 Telephone: 01295 273994 facsimile: 01295 269695
 e-mail: ctimesync@aol.com www.timesynccontrols.co.uk