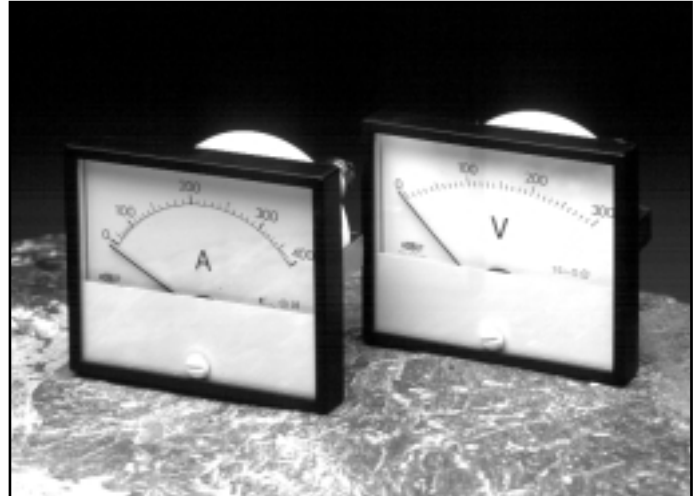


## R68 RANGE PANEL METERS

**DESCRIPTION** Rectangular fronted, round barrelled, moving iron and moving coil panel meters for AC or DC use. Manufactured to IEC51 / BS89.

**APPLICATION** Used widely in the panel building, welding, and battery charger industry, where a round barrelled instrument is required to fit into a standard 64mm diameter panel cut-out.



### R68SD MOVING IRON - AC

Rating	Burden	Accuracy
Scaled up to 100A direct connected	1.2VA max upto 30A, 2.4VA max 40-100A	2.5%
1A or 5A CT operated, scaled as necessary	0.7VA typically at 50Hz	2.5%
Scaled 30V to 600V, direct connected	6VA max	2.5%

### R68MC MOVING COIL - DC

Rating	Burden	Accuracy
Scaled 50µA to 50A direct connected	80mV to 150mV volt drop	1.5%
50mV to 300mV shunt operated, scaled as necessary	1mA (1000Ω/V)	1.5%
Scaled 50mV to 600V, direct connected	1mA (1000Ω/V)	1.5%

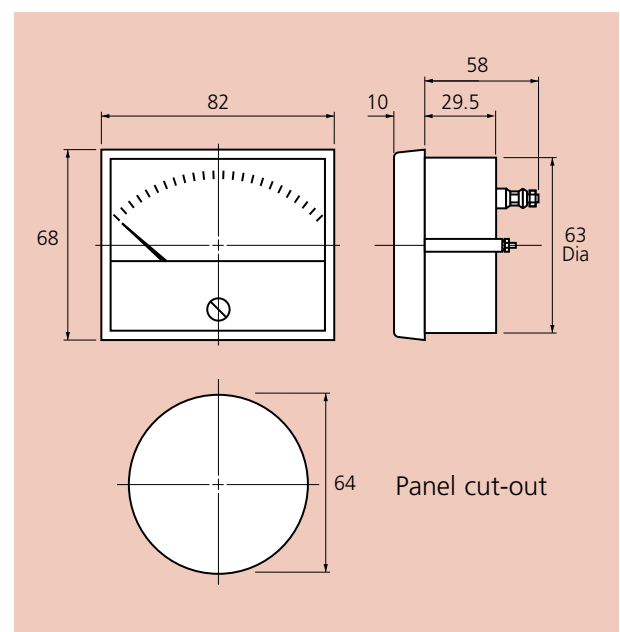
### Specifications

	R68SD	R68MC
Scale length	52mm	62mm
Movement	90°	90°
Fixing method	U-clip	U-clip
Flame retardant	Base UL94V1 Case UL94V0	Base UL94V1 Case UL94V0
Protection(front of panel)	IP52	IP52

### Options

- Adjustable red secondary pointer
- 6 x overload scale (R68SD)
- Tropical finish
- Special dials
- Black or white dial mask
- R68 available as power factor indicator, wattmeter, frequency meter, details on request.

### Dimensions (mm)



Our policy is one of continuous development and therefore specifications may change without notice.

## HOWARD BUTLER LTD

CROWN WORKS, LINCOLN ROAD  
WALSALL WS1 2EB ENGLAND

Tel: 01922 640003 Fax: 01922 723626

International Tel: +44 1922 640003 E-mail: sales@hobut.co.uk

<http://www.hobut.co.uk>