

KILOWATT HOUR METERS

DESCRIPTION DIN96 meters for measuring kWh of individual machines or complete systems.

APPLICATION For monitoring the consumption of electricity in single or three phase systems. Savings can be made by monitoring and using electricity at the optimum time.

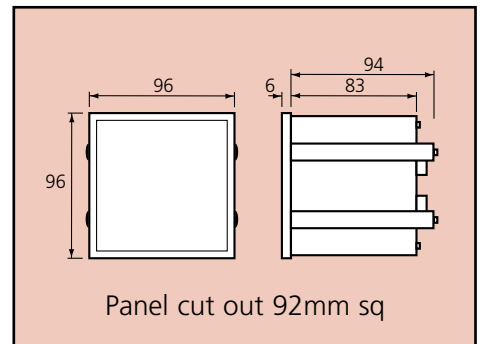


D96 kWh METERS



Manufactured to BS5685, IEC521 with a class accuracy of 1% to IEC1036, and supplied in a 96 x 96mm DIN case. The product has a 7 digit non resettable mechanical counter. Pulsed output is available to send to PLC's, data loggers and computers. Analogue mA output is also available.

Dimensions (mm)



RANGE

Description	Product Codes
Single Phase	D96kWh1
3ph 3W balanced load	D96kWh2
3ph 4W balanced load	D96kWh3
3ph 3W unbalanced load	D96kWh4
3ph 4W unbalanced load	D96kWh9

Ordering Information

- Product Code
- Current Transformer Ratio
- Voltage Transformer Ratio
- Frequency
- Auxiliary Voltage

Options

- Pulsed output (0.1, 1 or 10 per kWh)
- Analogue output
- Non standard pulse width
- Calibration at temp. other than 23°C
- Calibration at Hz 35-450

kWh meters are also available in DIN rail 100mm cases

Technical Specification

Rated current: 1 or 5A (<0.2VA / phase burden).
Range: 10-120% of rated current.
Overload: 4 x rated current continuous.
 50 x rated current for 1 sec.

Rated voltage: 57-500V (<0.2VA / phase burden).
Range: 80-120% of rated voltage.
Overload: 1.5 x rated voltage continuous.
 4 x rated voltage for 1 sec.

Frequency: 50 or 60Hz nominal range.

Auxiliary: 115/230/400 AC Voltage.

Pulsed output: Normally open volt free contact, 50V 150mA 5W AC/DC.
Pulse rate: 0.1, 1 or 10 per kWh.
Pulse duration: 250msec standard.

Analogue output: *Rated value:* 0-1mA into <5k Ohms.
 0-20mA into <250k Ohms.

Accuracy: Class 1 to IEC 1036.

Operating temp: -25°C to +70°C.

Temp coefficient: 0.01% per 1°C.

Material: Polycarbonate to UL94V0.

Enclosure: IP 54.

Mounting: 4 side brackets & screws.

Our policy is one of continuous development and therefore specifications may change without notice.

HOWARD BUTLER LTD

CROWN WORKS, LINCOLN ROAD
 WALSALL WS1 2EB ENGLAND

Tel: 01922 640003 Fax: 01922 723626

International Tel: +44 1922 640003 E-mail: sales@hobut.co.uk

Web: www.hobut.co.uk