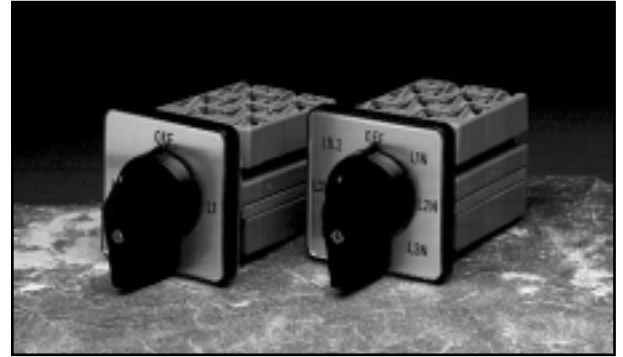


## SELECTOR SWITCHES

**DESCRIPTION** Two rotary arm switches for switching of ammeters (4 position) and voltmeters (7 position).

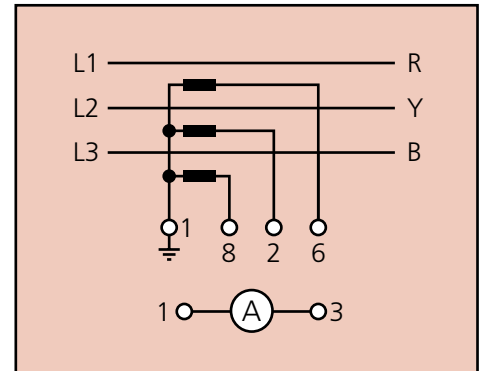
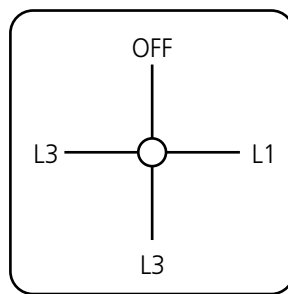
**APPLICATION** Suitable for panel builders requiring a panel mounted switch for switching meters between phase currents or line & phase voltages.



### AU318E AMMETER SELECTOR SWITCH



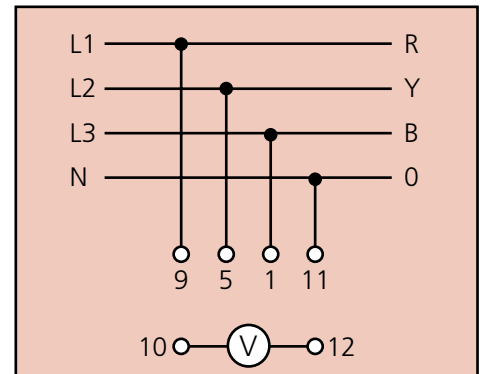
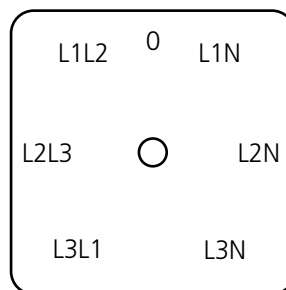
Front plate



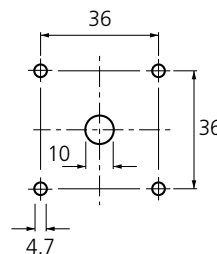
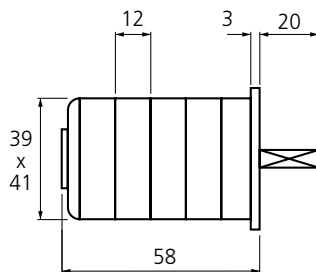
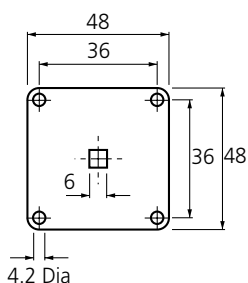
### V308E VOLTMETER SELECTOR SWITCH



Front plate



#### Dimensions (mm)



#### Panel cut-out (mm)

#### Technical specification

**Rated current:** BS EN 60947-3 10A (AC22)

**Rated voltage:** BS EN 60947-3 500V AC

**IP rating:** Front - IP 40, Back - IP 2X

**Max cable size:** 4mm<sup>2</sup>

**Temperature range:** -20°C to +40°C

**Options:** IP rating can be increased to Front - IP 54, Back - IP 42

Other switches available on request.

Our policy is one of continuous development and therefore specifications may change without notice.

## HOWARD BUTLER LTD

CROWN WORKS, LINCOLN ROAD  
WALSALL WS1 2EB ENGLAND

Tel: 01922 640003 Fax: 01922 723626

International Tel: +44 1922 640003 E-mail: sales@hobut.co.uk

http://www.hobut.co.uk