

- 0.95bar vacuum to 140bar pressure
- Dual pressure source
- High pressure resolution
- High pressure stability
- Easy to use pressure lever with handle
- Gas liquid isolator
- Free from humidity and dirt
- Ideal for use with calibrators and gauges

DESCRIPTION

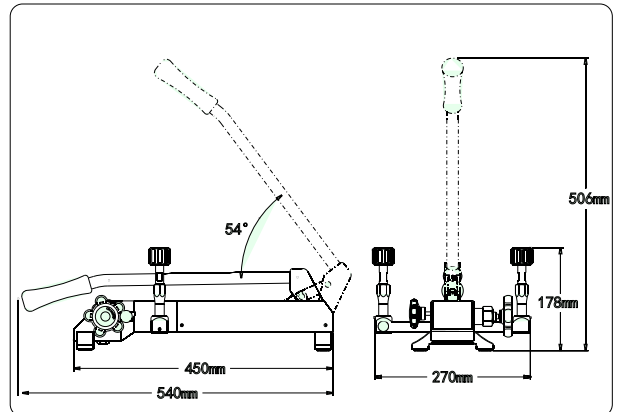
The 7194 benchtop pneumatic pressure pump is a dual pressure source with the ability to easily adjust and stabilize. With a long lever, it just takes 30 seconds to reach 140bar (2000 psi). A high-quality screw press is designed for fine pressure adjustment, with adjusting resolution up to 0.1mbar (10Pa). A specially designed shut-off valve makes the pressure stability as high as possible during calibration. A built-in gas-liquid isolator protects the pump from moisture and dirt to minimize the maintenance. The residual liquid in the pump introduced from devices under test will be pushed out and collected during pressure release. Two finger-tight connectors installed on the pump allow the user using fingers to connect and disconnect the reference gauge and devices under test quickly and easily without the need for PTFE tape or wrenches.

The 7194 is comfortable and simple operation, with features that make it ideal for calibrating pressure transducers, precision pressure gauges, and other pressure instruments. It is particularly suitable for applications where high pressure is required without the use of hydraulic pumps or nitrogen cylinders. It is also ideal for use as a benchtop gauge comparator. The 7078 auto-ranging digital pressure gauge is available to complement the pump, with vacuum to 200bar range and 0.1% accuracy of setting.



SPECIFICATIONS

Media.....	Air
Generated Pressure Range	0.95bar vacuum to 140bar pressure (14psi vacuum to 2000psi pressure)
Pressure Resolution	0.1mbar / 10Pa
Material	Ram/adapters: 316 SS Body: Steel/aluminum Seals: Buna-N
Test Gauge Connection	1/4" BSP
Reference Gauge Connection	1/4" BSP
Weight	6.8kg (15 lbs)
Dimensions	540 x 270 x 130mm
Optional Extras.....	Digital pressure gauges



ORDERING INFORMATION

7194	Benchtop Pneumatic Pressure Calibration Pump (0.95bar vac to 140bar)
7078.....	Auto-ranging digital pressure gauge (Vac to 200bar, 0.1% accuracy)

Due to continuous development Time Electronics reserves the right to change specifications without prior notice.