

**N1C Assembly**  
= 4 digit mechanical register



**N0E Assembly**  
= with pulse signal, for use with remote electronic register

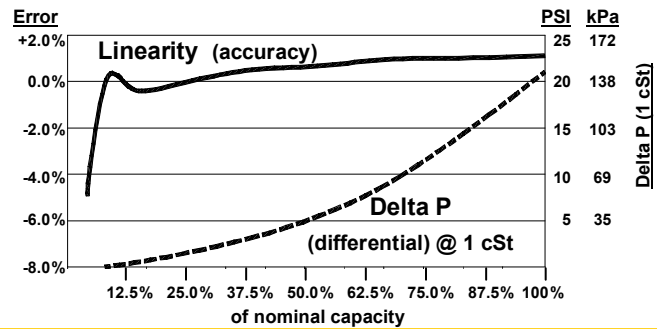
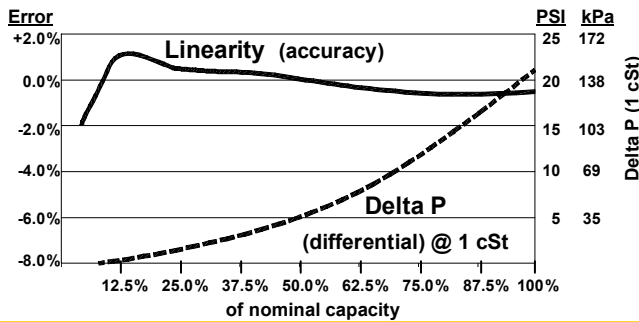
**TN Series**

Positive displacement meters based on the nutating disc operating principle. This is a rugged design for use in non-Custody Transfer applications, such as inventory control of refined petroleum products and non-corrosive chemicals. High pressure versions are available in both model sizes, for use in automotive fluid distribution systems, lube trucks and similar service.

Each flow meter is manufactured for a specific liquid category (specify viscosity), and flow tested accordingly.

**TN740A**    1-10 cSt 40 GPM 150 lpm  
 150-5,000 cSt 10 GPM 38 lpm  
 5-50,000 cSt 4 GPM 15 lpm

**TN860A**    1-10 cSt 60 GPM 230 lpm  
**TN760A**    150-5,000 cSt 15 GPM 57 lpm  
 5-50,000 cSt 6 GPM 23 lpm



Nominal Capacity		GPM	LPM	m <sup>3</sup> /h
TN740AN1C	150+ cSt	0.5-10	2-38	0.1-2.3
TN740AN0E	1 cSt	4.0-40	15-150	0.9-9.0
	150+ cSt	0.5-10	2-38	0.1-2.3
TN860AN1C	1-10 cSt	6.0-60	23-230	1.4-14
TN760AN1C	150+ cSt	0.8-15	3-57	0.2-3.4
TN760AN0E	1 cSt	6.0-60	23-230	1.4-14
	150+ cSt	0.8-15	3-57	0.2-3.4

**Materials**

- Case : Anodized aluminum
- Chamber : PPS (polyphenylene sulfide resin)
- Shaft & trim: HC303SS & brass
- Seals : Viton standard, Teflon™ & EPR available as field retrofit kit.

**Meter Performance**

- Linearity** Over 10:1 turn-down from max. capacity: ±2%
- Repeatability** ±0.5% or better under constant conditions

**Registration**

- N1C assy = Mechanical register:**  
4 digit reset counter reading in:  
**TN\_40A** 1/10 gallon (7 digit totalizer) or liter (8 digit totalizer)  
**TN\_60A** Whole gallon (7 digit totalizer) or liter (8 digit totalizer)

- N0E assy = Flow sensor (pulse meter):**  
Pulse signal is only available from the N0E assembly, which comes standard with Hall Effect pulser. Reed Switch pulser is optional, when used with a battery powered register.

**TN\_40A** ±86 PPG/1 cSt to ±104 PPG/1000 cSt  
**TN\_60A** ±52 PPG/1 cSt to ±63 PPG/1000 cSt

N0E assemblies are for use with remote electronic signal conditioners and/or registers. If used with non-TTS electronics, a PIA-300 signal conditioner might be required.

**Pressure Rating at 100°F (38°C) with 3:1 Safety Factor**

<b>TN740A</b>	1000 PSI	69 BAR
<b>TN760A</b>	400 PSI	28 BAR
<b>TN860A</b>	150 PSI	10 BAR

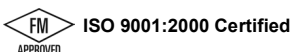
Derate:

150°F	180°F	210°F	250°F	275°F	300°F
0.85	0.80	0.75	0.70	0.60	0.40
66°C	82°C	99°C	121°C	135°C	150°C

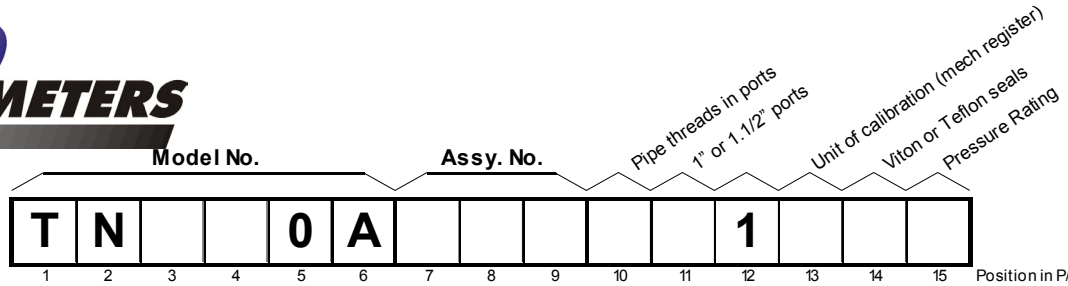
- Temp Rating** N1C assy -40°F to +180°F = -40°C to +80°C  
 N0E assy -40°F to +300°F = -40°C to +150°C

**Connections**

<b>TN_40A</b>	1" NPT or BSP ports
<b>TN_60A</b>	1.1/2" NPT or BSP ports



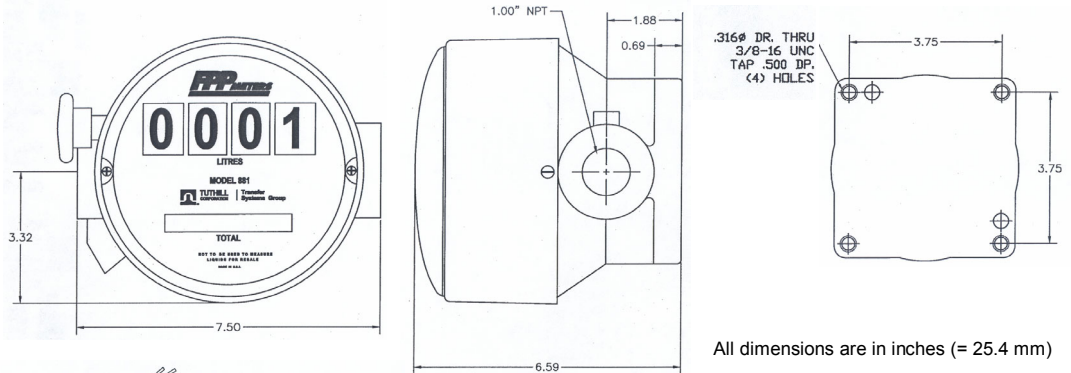
Part No.  
structure:



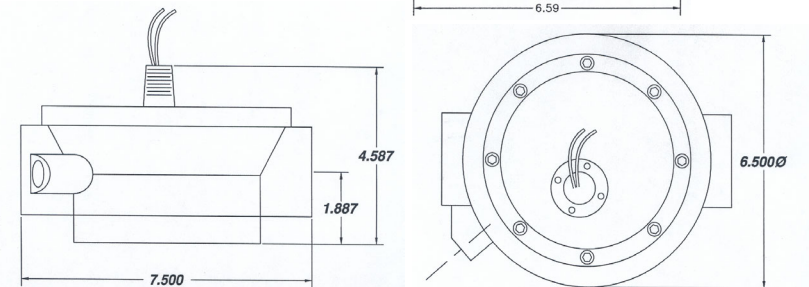
**Pos.**

- 3: 7 = Model with 400 or 1000 PSI (28 or 69 BAR) pressure rating  
8 = Model with 150 PSI (10 BAR) pressure rating
- 4: 4 = Model with 40 GPM (150 lpm) nominal capacity  
6 = Model with 60 GPM (230 lpm) nominal capacity
- 7-9 N1C = 4 digit mechanical register with 7 or 8 digit accumulative totalizer  
N0E = Pulse meter with Hall Effect pulser (reed switch optional)
- 10: A = NPT ports  
B = BSP ports
- 11: A = 1" ports  
B = 1 1/2" ports (not available when 1000 PSI = 69 BAR pressure rating)
- 13: T = 1/10 gallon registration with 7 digit accumulative totalizer, 40 GPM (150 lpm) models only  
G = Whole gallon registration with 8 digit accumulative totalizer, 60 GPM (230 lpm) models only  
L = Whole liter registration with 8 digit accumulative totalizer, all models.
- 14: A = Viton™ seals  
B = Optional Teflon™ seals
- 15: C = 150 PSI (10 BAR)  
F = 400 PSI (28 BAR)  
I = 1000 PSI (69 BAR)

**Dimensions,  
N1C assembly:**



**Dimensions,  
N0E assembly:**



Tuthill Transfer Systems,  
P.O.Box 400,  
Tickfaw, LA 70466, USA

Phone: 985-542-5200  
888-578-3258  
Fax: 985-542-7394  
E-mail: FPPWebInquiries@tuthill.com

Distributed by: