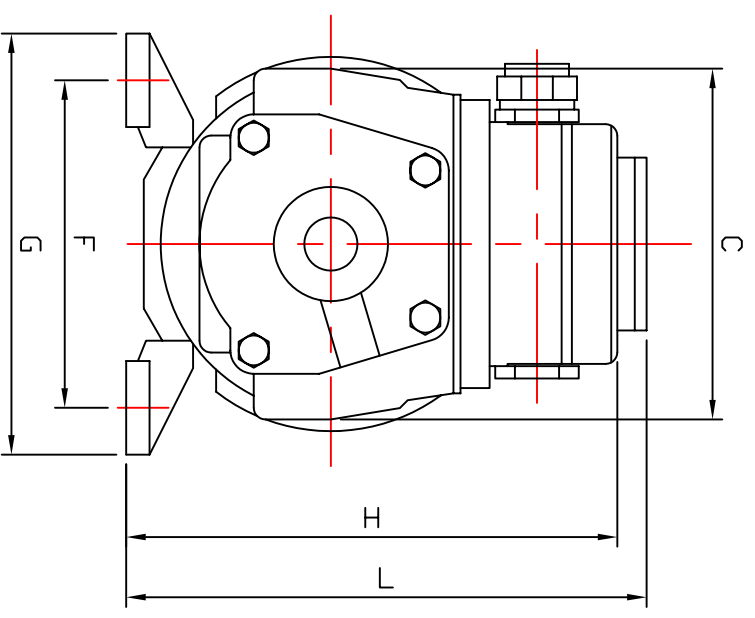
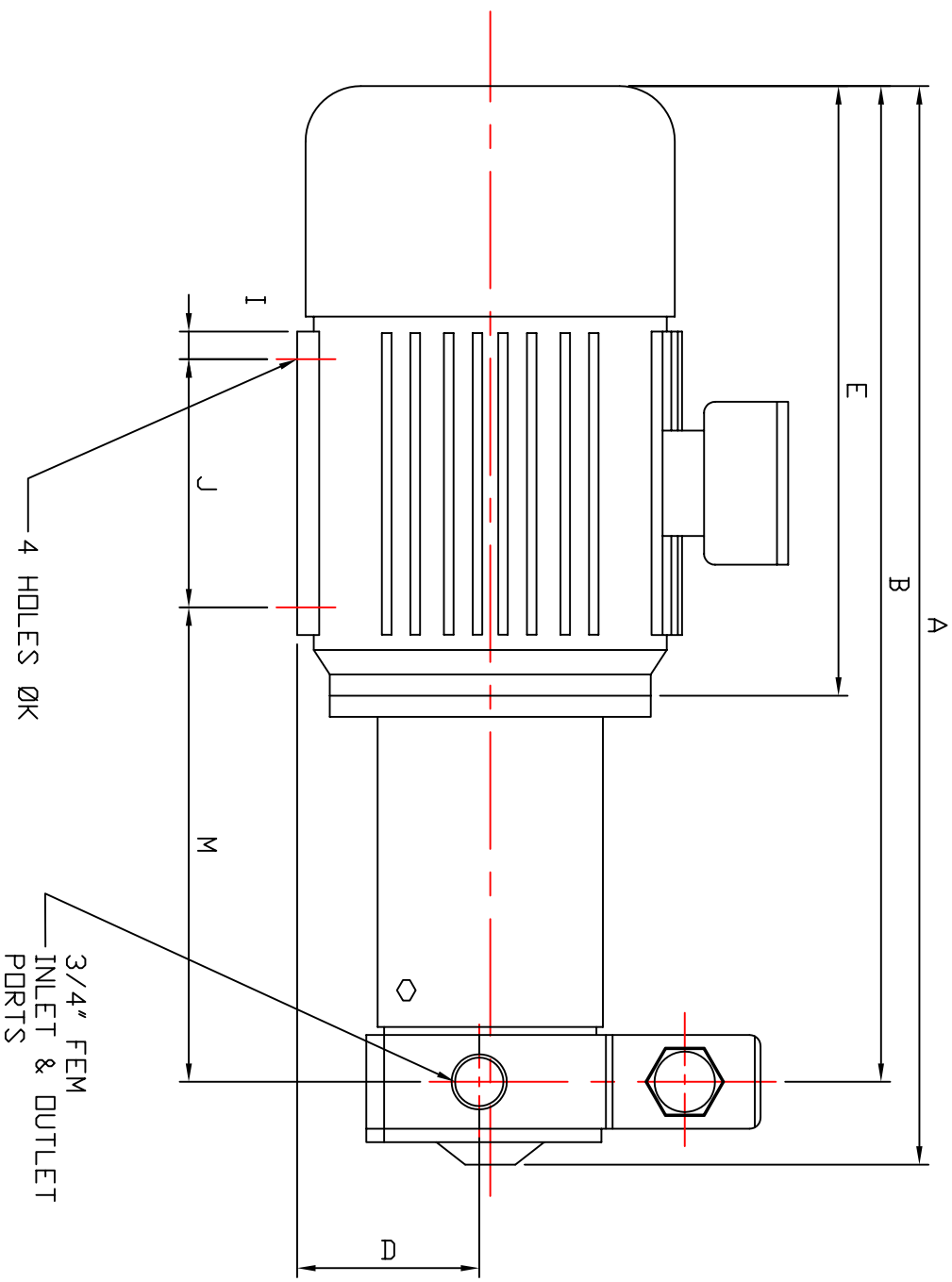


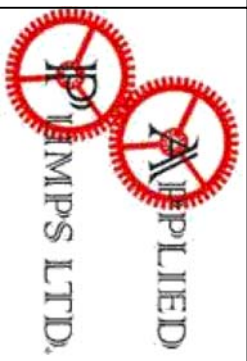
PUMP MODEL / FRAME SIZE	DIMENSIONS												
	A	B	C	D	E	F	G	H	I	J	K	L	M
1UR + D71	391	361	120	66	221	112	136	222	10	90	7	178	172
3UR + D71	391	361	120	66	221	112	136	222	10	90	7	178	172
5UR + D71	395	365	120	66	221	112	136	222	10	90	7	178	172
6UR + D80	455	425	121	75	255	125	155	240	50	100	10	212	187
8UR + D80	457	429	121	75	255	125	155	240	50	100	10	212	187
9UR + D90	472	452	121	85	270	140	174	257	56	100	10	230	202



NOTE  
ALL DIMENSIONS ARE IN mm

E-MAIL ADDRESS :-  
[info@appliedpumps.co.uk](mailto:info@appliedpumps.co.uk)

WEBSITE ADDRESS :-  
[www.appliedpumps.co.uk](http://www.appliedpumps.co.uk)



No.	REVISION	DATE

Drawn by: MEH  
Checked by: SJB  
Date 3/9/2010  
Dwg. No. 1-9UR/001

**TITLE** GENERAL ARRANGEMENT  
TYPICAL DIMENSIONS HALF ROUND  
HUB PUMPS COUPLED TO VARIOUS I.C.  
FACE IEC MOTORS WITH BS4MOUNTING