



ROTARY SCREW COMPRESSORS

FIXED SPEED
REGULATED SPEED (RS)



⇒ L-AIRSTATION

⇒ L07 – L22

⇒ L07RS – L22RS

INTELLIGENT AIR TECHNOLOGY

➤ ***NEW FULLY INTEGRATED AIREND***

The new design of the high efficiency airend operates at low rotational speeds, and as a result lowers energy costs. The innovative integrated design, with oil separation, oil filter, thermostatic bypass valve, reduces the number of external hoses and components resulting in increased reliability.

➤ ***TRIED AND TESTED INVERTER CONCEPT***

Integrated in the electric cabinet.

➤ ***HIGH EFFICIENCY DRIVE MOTOR***

IP55 motor for operational reliability.

➤ ***A SMALL INSTALLATION FOOTPRINT***

Designed to pass through a standard doorway simplifies installation.

➤ ***LOW NOISE LEVELS***

Reduced installation cost can be achieved by locating the compressor near to personnel or equipment without health and safety issues.

➤ ***INNOVATIVE DELCOS Pro CONTROL***

- Dual position for simplicity of operation
- Low voltage for safe operation (24V)



⇒ HIGH QUALITY AIR

This is achieved by the use of high efficiency air/oil separation system and optimum aftercooling.

⇒ UP TO 45°C AMBIENT CAPABILITY

Ensures continuous and stress-free operation through efficient heat dissipation.

⇒ FACTORY-FILLED LUBRICANT

Reduces servicing costs by extending oil change periods to up to 4,000 hours.



⇒ AIRSTATION – THE COMPLETE PACKAGED SOLUTION

⇒ Simple to Use

All components are perfectly matched and ready to “Plug and Play”

⇒ Simple to Install

Ease and low cost installation

⇒ High Quality Receiver

Receivers built to the highest standard are inspection free for up to 5 years

⇒ Minimum Footprint

By mounting the components on the receiver, the required floor space is reduced by 55%



⇒ A RANGE OF COMPRESSED AIR SYSTEMS TO SUIT ALL APPLICATIONS

Industries, both large and small, rely on CompAir rotary screw compressors for a supply of constantly high quality compressed air. The L Series oil injected rotary screw compressors provide a range that combines high performance, low operating costs and reliability with ease of installation and servicing.

⇒ HIGH QUALITY ROTARY SCREW COMPRESSORS

The range of oil-injected rotary screw compressors incorporate the very latest technological advances and manufacturing processes to provide users with a continuous supply of economic and reliable high quality compressed air.

Ongoing investment in the latest design and manufacturing tools and rigorous implementation of ISO 9001 approved quality systems, ensure you take delivery of a reliable, high quality product.



airOndemand

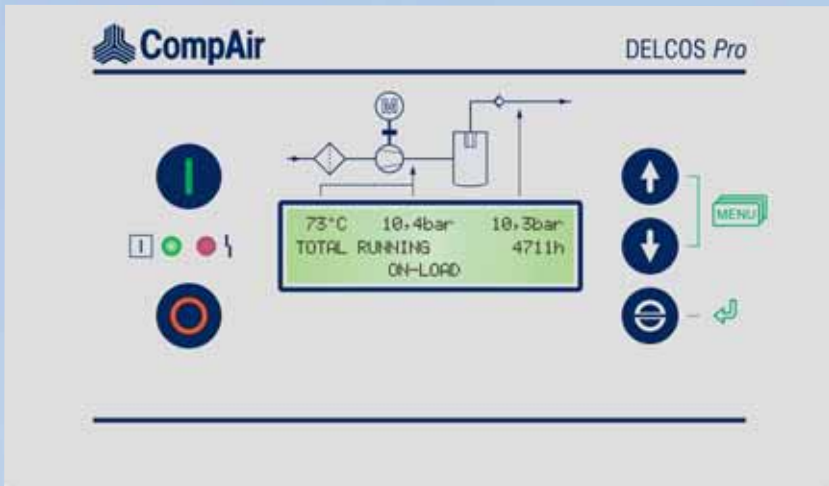
⇒ REMARKABLE ENERGY SAVINGS UNDER ALL OPERATING CONDITIONS

Air demand in the working environment can vary widely throughout the day. CompAir offers now a complete range of speed regulated compressors from 7.5 to 250 kW.

The L07–22RS series of regulated speed compressors are able to precisely match power consumption with the system air demand, offering outstanding efficiency and reliability.

CompAir ➤ DELCOS Pro INTELLIGENT CONTROLLER

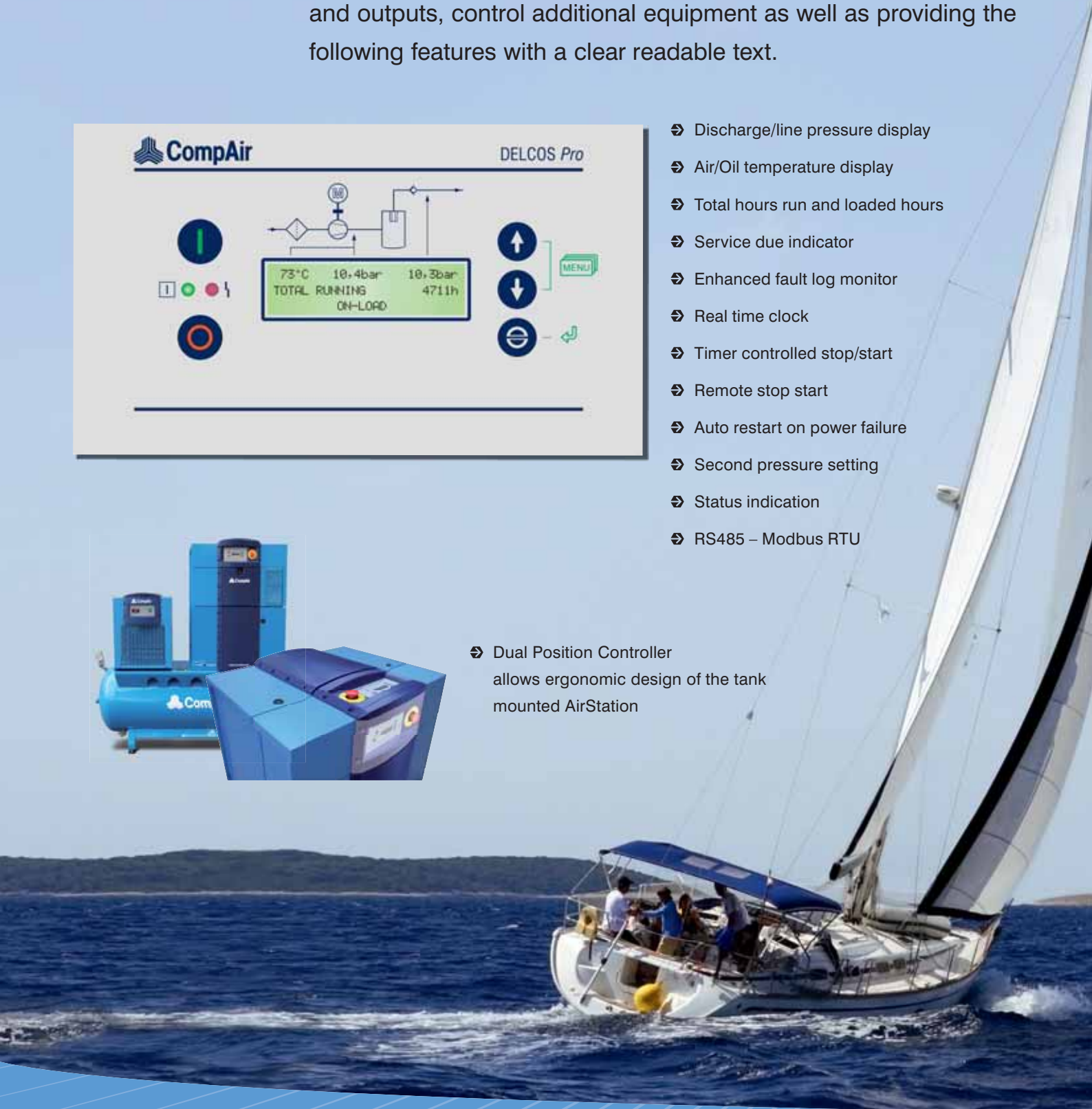
The new control system ensures reliable operation and protects your investment by continuously monitoring the operational parameters. The Delcos Pro also has the capability to have programmable inputs and outputs, control additional equipment as well as providing the following features with a clear readable text.



- Discharge/line pressure display
- Air/Oil temperature display
- Total hours run and loaded hours
- Service due indicator
- Enhanced fault log monitor
- Real time clock
- Timer controlled stop/start
- Remote stop start
- Auto restart on power failure
- Second pressure setting
- Status indication
- RS485 – Modbus RTU



- Dual Position Controller allows ergonomic design of the tank mounted AirStation



⇒ L-RS REGULATED SPEED COMPRESSORS

⇒ PERFECT RESPONSE TO YOUR INDIVIDUAL AIR DEMANDS

Regulated speed compressors from CompAir can efficiently and reliably handle the varying air demand found in most plant air systems. These compressors speed up and slow down to match air supply to air demand as it fluctuates. The right variable speed compressor in the right application delivers significant energy savings and a stable air supply at constant pressure.

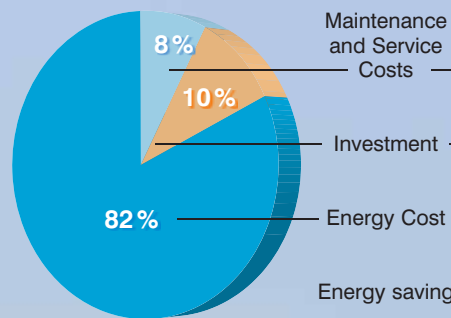


⇒ REDUCE THE COST OF OWNERSHIP AND MINIMISE YOUR ENERGY CONSUMPTION!

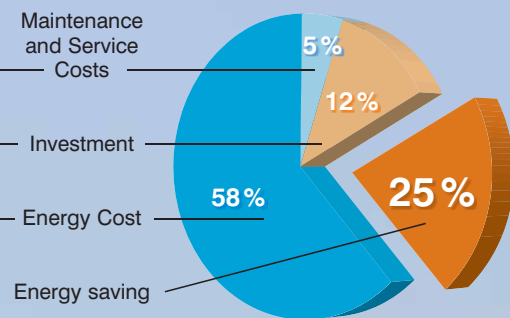
Annual cost of ownership with regulated speed compressors

- Excellent efficiency
- High reliability
- Low cost of ownership
- Accurate pressure monitoring

A A typical oil lubricated rotary screw air compressor operating at 70% load.



B CompAir regulated speed L-RS compressor at 70% load.



⇒ COMPAIR RS FEATURES ARE YOUR BENEFITS!

Tried and tested inverter concept

- Integrated in the electric cabinet
- Protected from dust by replacable inlet filters
- Maximum reliability by optimised cooling system
- Ensures high availability and long life time

Perfect motor – drive – airend design

High efficiency across broad flow range

- Substantial energy savings performance.

⇒ L-RS MODELS FROM 7.5 – 250 kW

The L-RS Series products are designed to obtain the greatest efficiency across the entire operating range.



⇒ LOW SERVICE COSTS

- All service components are conveniently grouped behind a lift-off canopy section so downtime and service costs are kept to a minimum
- All component parts are designed for long service life.
- Generously-sized suction filters, oil filters and final separators ensure long service life and excellent compressed air quality
- Short servicing times
- Long service intervals
- Reduced service costs

⇒ FIRST-CLASS ACCESSIBILITY

Panels and covers are easily removable with quick-release catches.

⇒ EASY SERVICE ITEMS

- Spin on/off separator cartridge gives residual oil carryover of less than 3 mg/m³
- Quick oil change via external drain
- Easy access suction filter element



⇒ COMBINED AIR/OIL COOLER

- Equipped with a bypass for rapid warm-up and control of the oil temperature, resulting in no unnecessary wear or condensate in the compressor system
- Low air discharge temperature

⇒ AUTOMATIC BELT TENSIONING SYSTEM

- Maintenance free
- Provides correct belt tension
- Gives long belt life



assureTM

First Class Compressor - First Class Warranty

**WARRANTY TO ENSURE
YOUR PEACE OF MIND!**

The CompAir Assure Warranty and Service programs will assure you up to 44,000 hours/6 years¹⁾ peace of mind, and is one of the most generous warranties available in the industry.

Your Benefits:

- The Assure warranty is totally free to the compressor owner²⁾
- The CompAir authorised service provider will deliver a guaranteed quality of service
 - An Assure service agreement underpinning the warranty will enable accurate maintenance budgeting and cost of ownership
 - The use of genuine CompAir parts and lubricants will maximise compressor life and efficiency

¹⁾ whichever is the soonest

²⁾ subject to Terms & Conditions



L07–L 22 SCREW COMPRESSOR

SCREW COMPRESSOR TYPE		L07			L11			L15			L18			L22		
Nominal pressure	bar g	7.5	10	13	7.5	10	13	7.5	10	13	7.5	10	13	7.5	10	13
Drive Motor	kW	7.5			11			15			18.5			22		
FAD ¹⁾	m ³ /min	1.30	1.06	0.85	1.82	1.61	1.32	2.70	2.26	1.80	3.25	2.74	2.34	3.65	3.21	2.61
Noise Level at 70 % load ²⁾	db (A)	70			70			70			71			71		
Dimensions (L x W x H)	mm	667 x 630 x 1050						787 x 698 x 1202								
Weight	kg	205			219			335			361			367		

L07RS–L 22RS SCREW COMPRESSOR REGULATED SPEED

SCREW COMPRESSOR TYPE		L07RS			L11RS			L15RS			L18RS			L22RS			
Nominal pressure	bar g	7.5	10	13	7.5	10	13	7.5	10	13	7.5	10	13	7.5	10	13	
Drive Motor	kW	7.5			11			15			18.5			22			
FAD ¹⁾	m ³ /min	min.	0.48	0.44	0.41	0.63	0.64	0.57	0.92	0.86	0.83	1.33	1.28	1.22	1.04	0.93	0.90
		max.	1.26	1.01	0.83	1.81	1.56	1.26	2.60	2.18	1.67	3.05	2.62	2.20	3.54	3.15	2.66
Noise Level at 70 % load ²⁾	db (A)	63			64			67			68			69			
Dimensions (L x W x H)	mm	667 x 630 x 1050						787 x 698 x 1202									
Weight	kg	222			231			365			381			386			

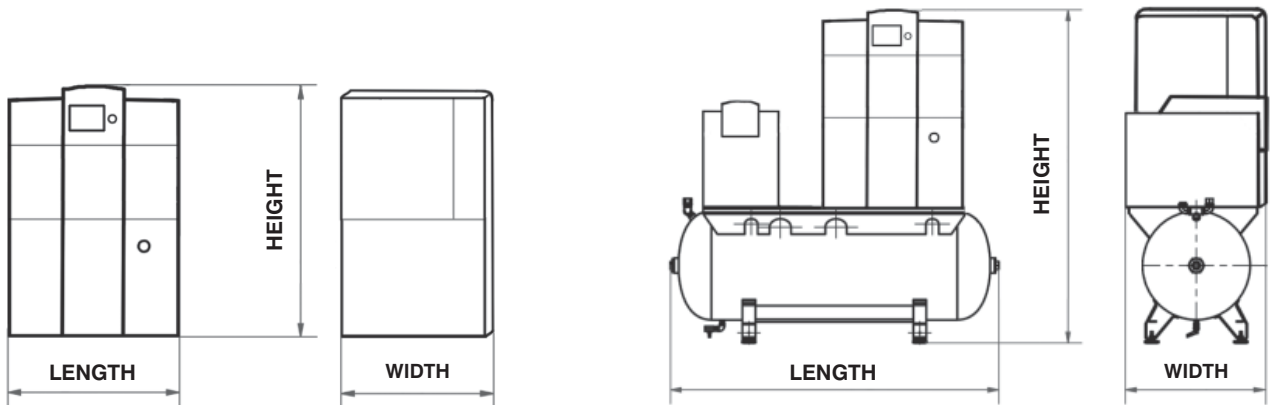
L07–L 22 AIR_{STATION} / L07RS–L 22RS AIR_{STATION}

SCREW COMPRESSOR TYPE		L07/L07RS		L11/L11RS		L15/L15RS		L18/L18RS		L22/L22RS	
Nominal pressure	bar g	7.5	10	7.5	10	7.5	10	7.5	10	7.5	10
Refrigeration dryer ³⁾	type	F11C		F16C		F26C		F36C		F36C	
Air Receiver	Volume	270 litres				500 litres					
Air Outlet		RP 3/4"				RP 1"					
Dimensions (L x W x H)	mm	1541 x 808 x 1577						1883 x 867 x 1825			
Weight	kg	356/373		371/383		560/590		615/635		620/639	

¹⁾ Data measured and stated in accordance with ISO 1217 Ed. 4, Annex C & Annex E and Pneuop/Cagi PN2CPTC2 and the following conditions:
 Air Intake Pressure 1 bar a
 Air Intake Temperature 20° C
 Humidity 0% (dry)

²⁾ Measured in free field conditions in accordance with ISO 2151 and ISO 9614-2, tolerance ± 3dB(A).

³⁾ The refrigerant dryer requires a separate electric supply. Data refer to DIN ISO 7183, 8573-1:2001 (class 4, pressure dew point 3° C). For further specifications please refer to refrigerant dryer documentation.



INNOVATIVE PRODUCTS AND SERVICES

– TRUST COMPAIR TO SUPPLY INTELLIGENT COMPRESSED AIR SOLUTIONS



With over 200 years of engineering excellence, the CompAir brand offers an extensive range of highly reliable, energy efficient compressors and accessories to suit all applications.

An extensive network of dedicated CompAir sales companies and distributors across all continents provide global expertise with a truly local service, ensuring our advanced technology is backed up with the right support.

As part of the worldwide Gardner Denver operation, CompAir has consistently been at the forefront of

compressed air systems development, culminating in some of the most energy efficient and low environmental impact compressors on the market today, helping customers achieve or surpass their sustainability targets.



COMPAIR COMPRESSED AIR PRODUCT RANGE

Advanced Compressor Technology

Lubricated

- Rotary Screw
 - > Fixed and Regulated Speed
- Piston
- Portable

Oil-Free

- Water Injected Screw
 - > Fixed and Regulated Speed
- Two Stage Screw
 - > Fixed and Regulated Speed
- Piston
- High Speed Centrifugal - Quantima®

Complete Air Treatment Range

- Filter
- Refrigerant Dryer
- Desiccant Dryer
- Condensate Management
- Heat of Compression Dryer

Modern Control Systems

- CompAir DELCOS Controllers
- SmartAir Master Sequencer

Value Added Services

- Air Audit
- Performance Reporting
- Leak Detection

Leading Customer Support

- Custom Engineered Solutions
- Local Service Centres
- Genuine CompAir Parts and Lubricants

CompAir policy is one of continuous improvement and we therefore reserve the right to alter specifications and prices without prior notice. All products are sold subject to the Company's conditions of sale.

