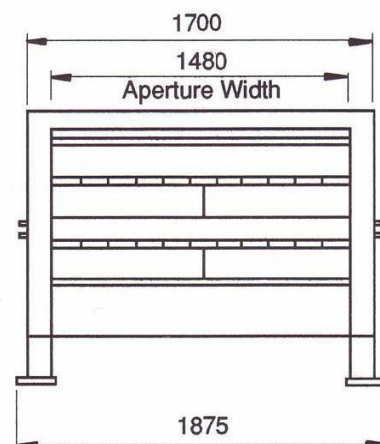
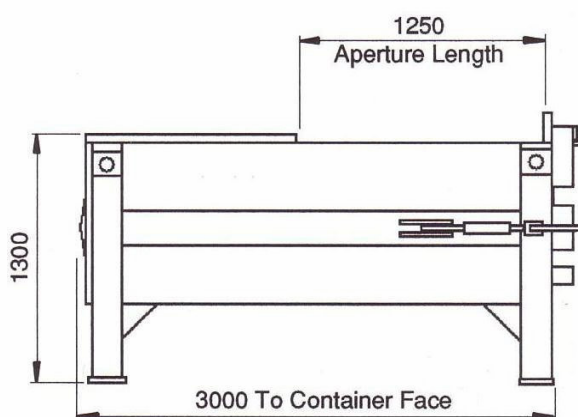


## Durapac CB-27 Static Compactor



### **Compact & Bale Limited**

Unit 6, The Hop Kilns, Goblands Farm Business Centre,  
Court Lane, Hadlow, Tonbridge, Kent TN11 0LT

T: + 44 (0)1732 85 22 44 F: + 44 (0)1732 85 11 33

E: [info@compact-and-bale.com](mailto:info@compact-and-bale.com) W: [www.compact-and-bale.com](http://www.compact-and-bale.com)



*the waste and recycling wizards!*

## Technical Specification

<b>Technical data:</b>	<b>CB-27</b>
Charge box volume	1.66 m <sup>3</sup>
Volume per stroke	1.29 m <sup>3</sup>
Volume per hour	132.7 m <sup>3</sup>
Cycle time	35 secs
Compaction Force	27 tonne
Operating pressure	2150 psi
Clear aperture length	1250 mm
Clear aperture width	1480 mm
Charge box depth	900 mm
Ram depth	700 mm
Penetration into container	300 mm
Overall length	3000 mm
Overall width	1700 mm
Overall height	1300 mm
Motor rating	7.5 kw
Power supply (415v, 3 phase + e + n)	32A M50 (or type D)

Machines are supplied with up to 6m of 5 core, 4mm, braided, flexible control cable complete with 5-pin socket.



*the waste and recycling wizards!*

**Telephone :** +44 (0) 1732 85 2244

**Facsimile :** +44 (0) 1732 85 1133

**Email :** [info@compact-and-bale.com](mailto:info@compact-and-bale.com)

**Web :** [www.compact-and-bale.com](http://www.compact-and-bale.com)