

CR10 series special technical features in comparison to usual crimping pliers:

- Higher press force at lower work force
- Ergonomic work movement
- Precised an easy positioning of the work pieces in the tool
- We produce the matching adapter for your crimp tools
- Tools of different suppliers are compatible for use
- Adapters are changeable
- Fast changeable crimp tools
- End position of the crimp tools is precisely and easily adjustable
- Integrated return stroke lock mechanism can be unlocked by pressing a button
- Manual stroke counter



Gechter – Main catalogue for technical details.

Gechter – Press-overview for all products.



Crimp press series

Your local dealer



GECHTER GmbH Werkzeug- und Maschinenbau
Hannelore-Gechter-Str. 2, D-91074 Herzogenaurach

www.gechter.com

NEW

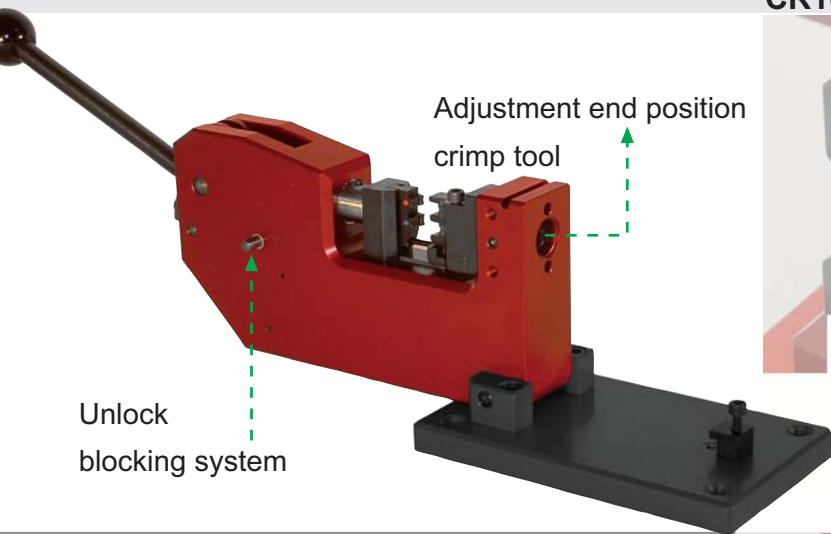
colored crimping

CR10

CR10/H50

- The best option to crimping:
- precise
 - quickly
 - strongly and
 - easy to use





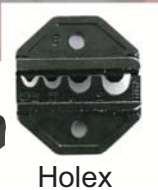
CR10

CR10

CR10

CR10/H50

CR10/H50



Horex



Pressmaster



AMP/Knipex/Tyco



WEZAG



Crimp press series
CR10 Manual
CR10/H50 Manual

Crimp press CR10 series

For more informations please contact our local dealers.

Optional accessories

Adapter

CR10 Adapter unit for Pressmaster

crimp tool unit Type Pressmaster

Endsplices/Ferrules, 24-8 AWG

0.25-0.75 / 1-1.5 / 2.5 / 4 / 6 / 10 mm²

Yellow/Mini green insulated, 12-10/26-22 AWG

0.1-0.4 mm² (green) / 4-6 mm² (yellow)

Red/Blue insulated, 22-14 AWG

0.5-1.5 mm² (red) / 1.5-2.5 mm² (blue)

Modular plug, 6/6.6/4.6/2

RJ 11

Coaxial BNC/TNC. RG 58, 59, 62, 71 .213/.255/.067

1.69 / 5.41 / 6.48 mm²

Uninsulated Copper, 22-14 AWG

0.75 / 1.5 / 2.5 mm²

Coaxial CATV, RG 6, 59, .360/.324 inch

8.23 / 9.14 mm²

Uninsulated Copper, 12-8 AWG

4 / 6 / 10 mm²

Coaxial BNC/TNC. RG 174, 179, .178/.128/.067/sqr .028

0.7 / 1.69 / 3.26 / 4.52 mm²

Adapter
upside

1

Adapter
downside

Crimp
tool

2

Fiber ST/SC/SMA/SMB/SFR., .178/.213/.151/.128 inch
3.25 / 3.48 / 4.52 / 5.41 mm²

Uninsulated copper tube, .22-10 AWG
0.5 / 2.5 / 4-6 mm²

Modular plug RG-45 8/8
RJ 45

Open barrel, .22-16/16-14/12-10 AWG
0.5-1.0 / 1.5-2.5 / 4-6 mm²

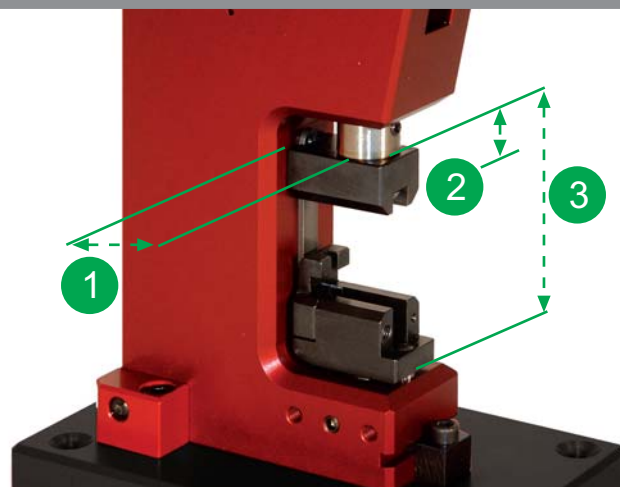
Power connectors., .26-18/16/14/12 AWG
0.14-1 / 1.5 / 2.4 / 4 mm²

Power connectors, 10/8 AWG
6 / 10 mm²

Open barrel, .26-24/24-22/22-18 AWG
0.1-0.25 / 0.25-0.5 / 0.5-1.0 mm²

Open barrel, .22-18/16-14 AWG
0.5-1.0 / 1.5-2.5 mm²

Manual stroke counter
5 digits



	CR10	CR10/H50
1 Throat	22 mm	22 mm
2 Stroke length adjustable	17mm	17 mm
3 Daylight	76 mm	126 mm
Weight	3 kg	3,2 kg