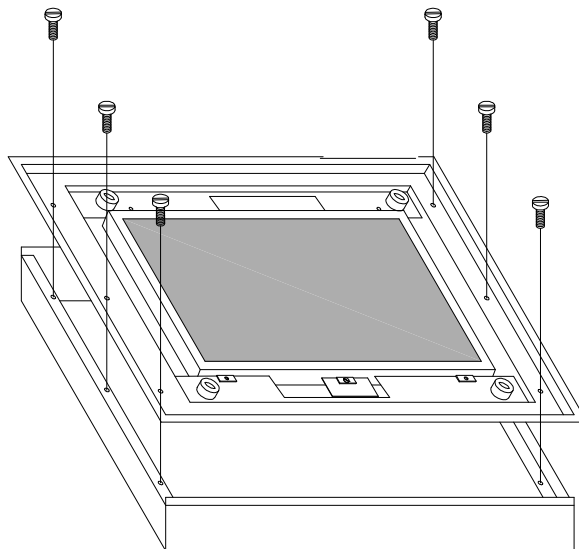


GALVANISED METAL BACK BOX

Installation Instructions

1. This product should be installed in the wall as protection from extreme dust, dirt and condensation for your AQUAVISION[®]
2. Fit the box so that the top and bottom edges are either flush with, or recessed from the finished line of tiles, etc. The box should not protrude forward from the finished surface of the wall.
3. Make sure that you mount the box with the cable entry holes at the bottom.
4. Using the mounting points in the sides of the box, screw the unit to the wall so that it will be able to withstand a pull force in excess of 60Kg.
5. Make sure that the box is installed square and true in all aspects. Failure to do this could result in the glass not fitting properly, causing the unit not to be waterproof.
6. Remove the installation brackets from the main AQUAVISION[®] bezel, but retain the 6 fixing screws.
7. Make sure the bezel fits correctly by placing it on top of the metal back box.
8. Place a bead of silicone along the sides of the bezel to ensure that there is a watertight seal between the bezel and the wall/tiles, etc. Pay particular attention to any grout lines, etc.
9. Using the original mounting screws, fix the bezel to the metal back box, making sure not to over tighten it.
10. Continue with the product installation instructions for the remainder of the installation procedure.



For further details on this, or other AQUAVISION[®] products, please contact your supplying dealer,
or visit our web site.



aquavision.tv

Aquavision[®] Distribution Limited

Unit 7 Riverpark Industrial Estate
Billet Lane, Berkhamsted, Herts.
HP4 1HL
United Kingdom

registered in England & Wales 07756677

telephone
+44 (0)1442 872665

general enquiries
info@aquavision.tv

technical support
technical@aquavision.tv



2Year UK Warranty
upgradeable to 5 years in home service