

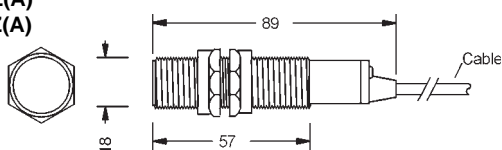
MULTI-VOLTAGE INDUCTIVE SENSORS

Consists of 18 and 30mm, 2 wire versions (24-240V ac/dc), plus DIN standard limit switch package (12-240V dc/24-240V ac) with relay output.

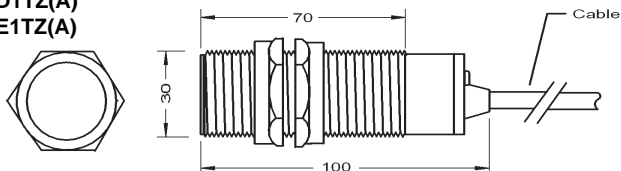


Dimensions

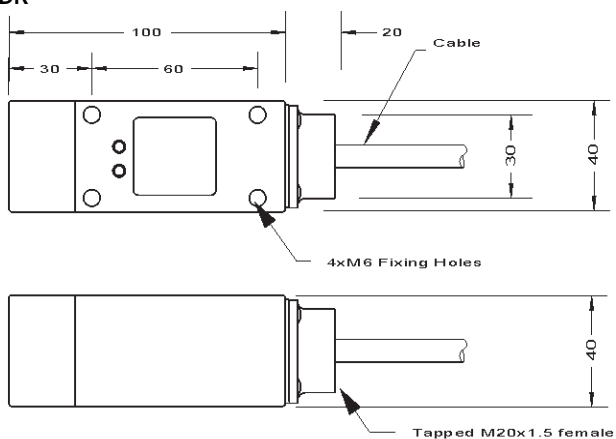
ID1MZ(A)
IE1MZ(A)



ID1TZ(A)
IE1TZ(A)

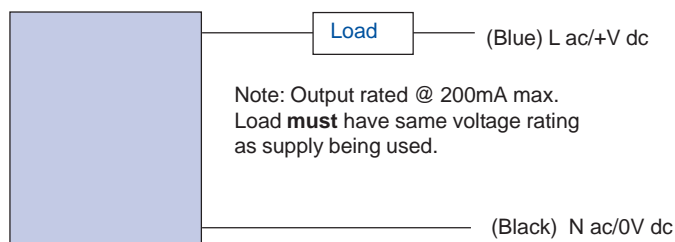


UD1DR



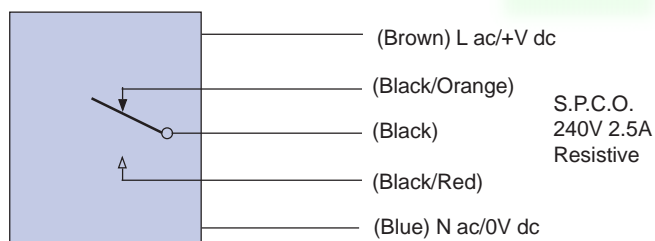
Connections

ID1MZ(A) - IE1MZ(A) - ID1TZ(A) IE1TZ(A)



'D' variation sensors ID1#Z(A) output **ON** when **sensing**.
'E' variation sensors IE1#Z(A) output **OFF** when **sensing**.

UD1DR



2 wire units: supply voltage is 24-240V ac/dc.
5 wire units: supply voltage is 12-24V ac/24-240V dc.

I#1MZ(A) ATEX category: ⒺII 1D (Zone 20).
I#1MZ(AG) ATEX category: ⒺII 2G 1D EEx m IIB (Zone 0/20).

Sensor attachment accessory available (Whirligig),
Targets are fully protected, no further guarding required.
See Speed Monitoring Catalogue (Section 3), for details.

SPECIFICATION - GENERAL

| | ID1MZ(A)-IE1MZ(A) (18mm) | ID1TZ(A)-IE1TZ(A) (30mm) | UD1DR Limit switch |
|-----------------|------------------------------------|--------------------------|--|
| Supply | 24-240V ac/dc. | | 12-240V dc/24-240V dc. |
| Output | 2 wire FET. | | SPCO relay. |
| Output Rating | 200mA maximum. | | 2.5A 240V ac maximum Non-inductive. |
| Output State | 'D' normally OFF, 'E' normally ON. | | Normally OFF. |
| Operating Range | 8mm | 12mm | |
| Hysteresis | 15% of Operating range. | | |
| Ambient Temp. | -15°C to +50°C. | | |
| IP Rating | IP65. | | |
| Number of cores | 2 | | 5 |
| Weight | 260g | 300g | 325g |

Note: To prevent damage to units, 2 wire sensors **MUST** be wired in series with a load/relay/contactor and **NOT** directly across supply being used.

Note: ID1MZ(A) & IE1MZ(A) are also available with Gas Hazard IE approval -units becomes I#1MZ(AG). Suitable for gas group 2B. Supply **must** be fused (see manual supplied with unit). All other details are as stated above.