

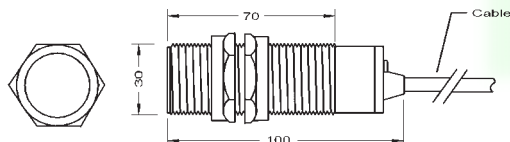
## CAPACITIVE SENSORS

30mm diameter enclosures, multivoltage supply with relay output or 2 wire FET output versions.

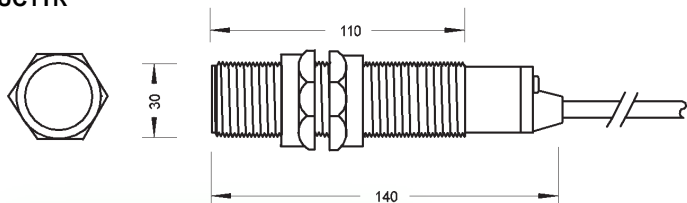


### Dimensions

CD1TRAI - CE1TRAI  
CD1TZAI - CE1TZAI



### UC1TR

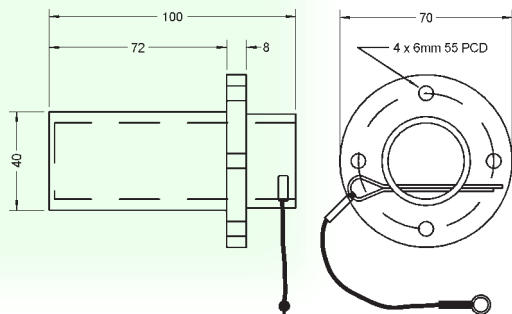


Optional extra available:

**Mounting Pocket:** (not for use with UC1TR)

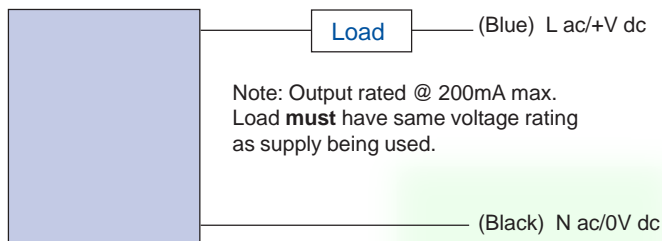
**Material:** Polypropylene.

**Weight:** 70g.

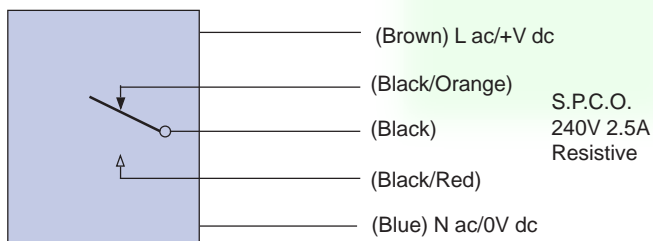


### Connections

#### CD1TZAI - CE1TZAI



#### CD1TRAI - CE1TRAI



'D' variation sensors CD1T#AI output **ON** when **sensing**.

'E' variation sensors CE1T#AI output **OFF** when **sensing**.

2 wire units C#1TZAI: supply voltage is 24-240V ac/dc.

5 wire units C#1TRAI: supply voltage is 12-240V ac/24-240V dc.

C#1T#(A) ATEX category: ⓂII 1D (Zone 20).

### SPECIFICATION - GENERAL

	UC1TR
Supply	12-240V dc/24-240V ac.
Output	SPCO relay
Output Rating	2.5A 240V ac maximum. Non-inductive.
Output State	Programmable
Operating Range	25mm Typical.
Hysteresis	15% of Operating range.
Ambient Temp.	-15°C to +50°C.
IP Rating	IP65.
Number of cores	5
Weight	260g

### SPECIFICATION - GENERAL

	CD1TRAI	CE1TRAI	CD1TZAI	CE1TZAI
Supply	12-240V dc/24-240V ac.		24-240V ac/dc	
Output	SPCO relay		2 wire FET	
Output Rating	2.5A 240V ac maximum. Non-inductive.		200mA maximum.	
Output State	Normally OFF	Normally ON	Normally OFF	Normally ON
Operating Range	25mm Typical.			
Hysteresis	15% of Operating range.			
Ambient Temp.	-15°C to +50°C.			
IP Rating	IP65.			
Number of cores	5		2	
Weight	325g		300g	

Note: To prevent damage to units, 2 wire sensors **MUST** be wired in series with a load/relay/contactor and **NOT** directly across supply being used.

**SYNATEL**  
INSTRUMENTATION LTD.



Detection & Control  
in Action

Walsall Road, Norton Canes, Cannock,  
Staffordshire. WS11 9TB UK

Tel: +44 (0) 1543 277003  
Fax: +44 (0) 1543 271217

Web: [www.synatel.co.uk](http://www.synatel.co.uk)  
e-mail: [sales@synatel.co.uk](mailto:sales@synatel.co.uk)



001