

## COUNTER AND TACHOMETER DISPLAYS

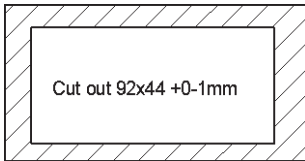
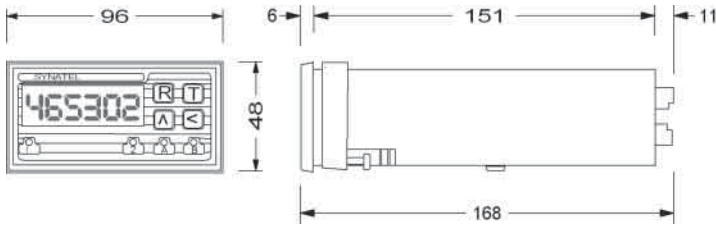
Synatel manufacture and supply a range of digital display units suitable for applications including: counting, batching, totalising or speed indication purposes. Units either have a panel cut-out of 96 x 48mm or 144 x 72mm (DIN standard).

### CUL1/CUL1R COUNTER/TACHOMETER

Multi function unit with relay outputs can be user programmed as a counter, tachometer or dwell timer. High brightness vacuum fluorescent display. NPN, PNP or contact input, speeds up to 10Khz.



#### Dimensions

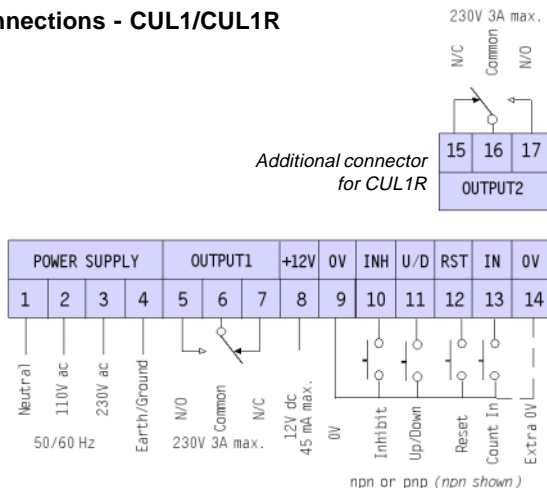


Panel cut-out dimensions

#### SPECIFICATION - GENERAL

Supply	110/230V ac or 10-30V dc as specified.
Consumption	3VA.
Sensor Supply	12V dc smoothed, unsmoothed 45mA max.
Input	NPN, PNP or volt free contact.
Input Speed	10KHZ Max.
Output-CUL1	SPCO relay rated @ 5A ac non-inductive.
Output-CUL1R	2 x SPCO relay rated @ 5A ac non-inductive.
Programming	Via front panel pushbutton membrane.
Memory Retention	10 year memory of programme settings
Protection	IP41.
Connection	Plug-in screw terminals on rear of unit.
Weight	400g.

#### Connections - CUL1/CUL1R



Note: CUL1 use output1 CUL2 use output1 (Main o/p) & output2 (Pre o/p)

Variations available are:

**CUL1** - Single relay output. programmable as a counter, speed indicator or dwell/bake time indicator, 5 digits, programmable divide/multiply function. Auto or manual reset.

**CUL1R** - Twin relay output, Programmable counter, tachometer or dwell/bake time indicator. suitable for batching, slowdown and stop control etc. 5 digits.