

LEVEL CONTROL RANGE

Synatel manufactures a range of level control equipment, both R.F capacitive and resistive, for use in most liquid and solid level sensing applications. Units are available with ATEX and CSA certification.

DIGIMATIC SELF CONTAINED CAPACITANCE DML4(A)

Fixed point capacitive level control suitable for detecting liquids, powders and granular solids. Automatic high/low level calibration with full manual override. LED display shows calibration and run mode readings. ATEX approved for explosive dust hazard area use.

Power shield compensator; prevents false signalling due to material build-up, sticking to probe. Reliable detection of most solids and liquids.

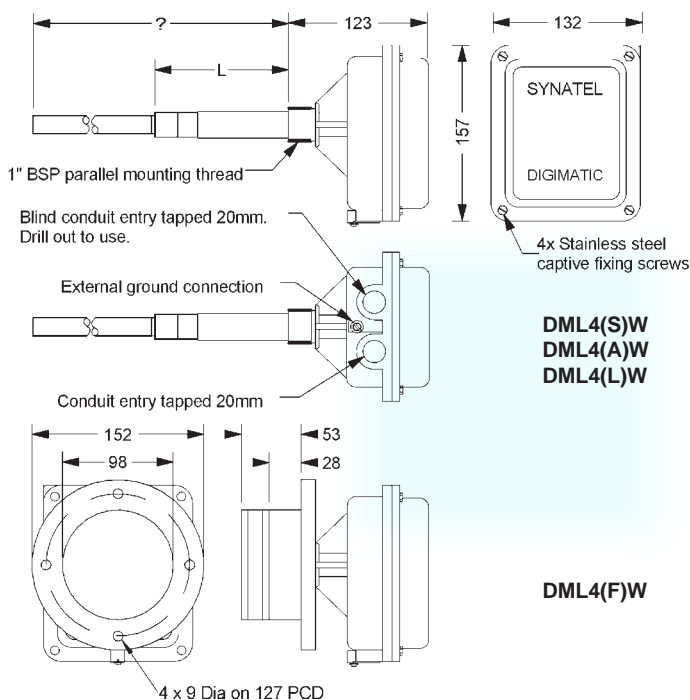
A range of unit types are available, including long & short powershield, flush probe mounting, clear viewing lid - displays are visible through windows to avoid cover removal.



DML4(A)W ATEX category: ⓂII 1D (Zone 20).

Dimensions - Digimatic

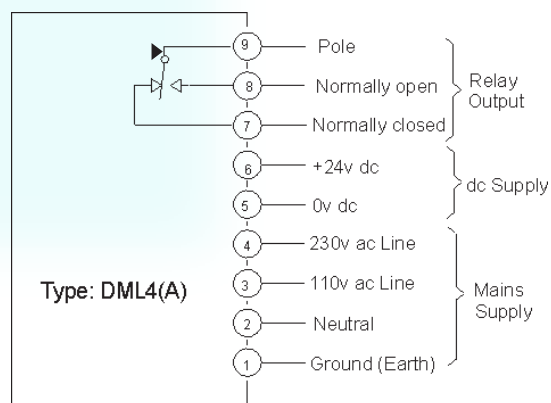
L = 60mm for DML4(S)
L = 121mm for DML4(A) standard
L = Customer specified for DML4(L)



SPECIFICATION - GENERAL

Supply	110/230V ac, 24V dc
Load	1.5A max ac, 50mA dc.
Ambient Temp	-10°C to +50°C.
Output	SPCO Relay rated @ 2.5A 240V ac Non Ind.
Output Mode	Switch selectable for output normally ON (high level) or normally OFF (low level).
Calibration	Membrane pushbutton with LED Display. Automatic calibration with full manual override.
Indicators	Digital display for calibration and run mode + power, timer and O/P LED's.
Mounting	1" BSP parallel.
Protection	IP65.
Compensator	Power shield compensates for material build up between probe and vessel wall. Prevents false signalling. Ideal for sticky or viscous materials.
Weight	DML4(AW) - 2Kg plus probe rod, 200mm rod: 0.25Kg. 300mm rod: 0.25Kg. 1 metre rod: 1.50Kg. 2 metre rod: 3.00Kg. 10 metre wire rope: 1.75Kg.

Connections



The DIGIMATIC is supplied with a fuse fitted in the AC fuseholder, fit into the DC position for 24V dc operation.

The fuse rating for this unit is 100mA anti-surge, IEC.

No other rating may be used.

Stabilised 24V DC supply,
+6.5% to -10%

Probe head ordering codes:

Standard unit: **DML4(A)W**.

Unit with short powershield: **DML4(S)W**.

Unit with extended powershield to customer specified length: **DML4(L)W**. plus powershield length. i.e: DML4(L) 400 for unit with 400mm powershield. (Probe rods for above units - see 'probe rods section').

Flush mounting unit: **DML4(F)W**

Option:

Remove **W**, unit will be fitted with a solid lid. i.e: **DML4(A)**.