



ALLOY FLANGES & FITTINGS

BRODER METALS GROUP

Your source for
stainless steel, nickel
alloy and titanium
flanges, special
forgings and fittings

Global reach, personal touch

We are here to solve your problems – special requirements outside of the above product / size ranges will always be considered.

All products covered by our Group
ISO 9001:2008 TUV accreditation.

We have In-house Ultrasonic (level 2 PSN)
and full QA specification and process control.

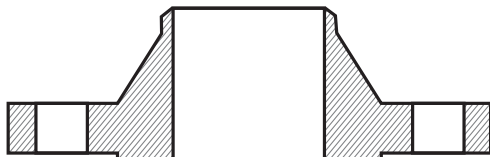
We're here to help you.

Tel: +44 (0) 114 242 3040

Fax: +44 (0) 114 261 1519

FORGINGS AND FLANGES PRODUCT RANGE

WELD NECK



Standard	Size	Rating
ASME B16.5	0.5" – 24" 0.5" – 24"	150 – 2500
ASME B16.47 SERIES A (MSS S44)	Up to 60" Up to 47"	150 – 300 600 – 900
ASME B16.47 SERIES B (API 605)	Up to 60"	75 – 300
BS 3293	Up to 60" Up to 48"	15 – 300 600 – 900
BS10/AWWA	Up to 60"	Class B, D, E, F, G, & H
BS 45.04 / BS EN1092	Up to 60"	PN2.5 – 250
AP16a / 6BX	Up to 24"	3 – 20000 psi

SLIP-ON



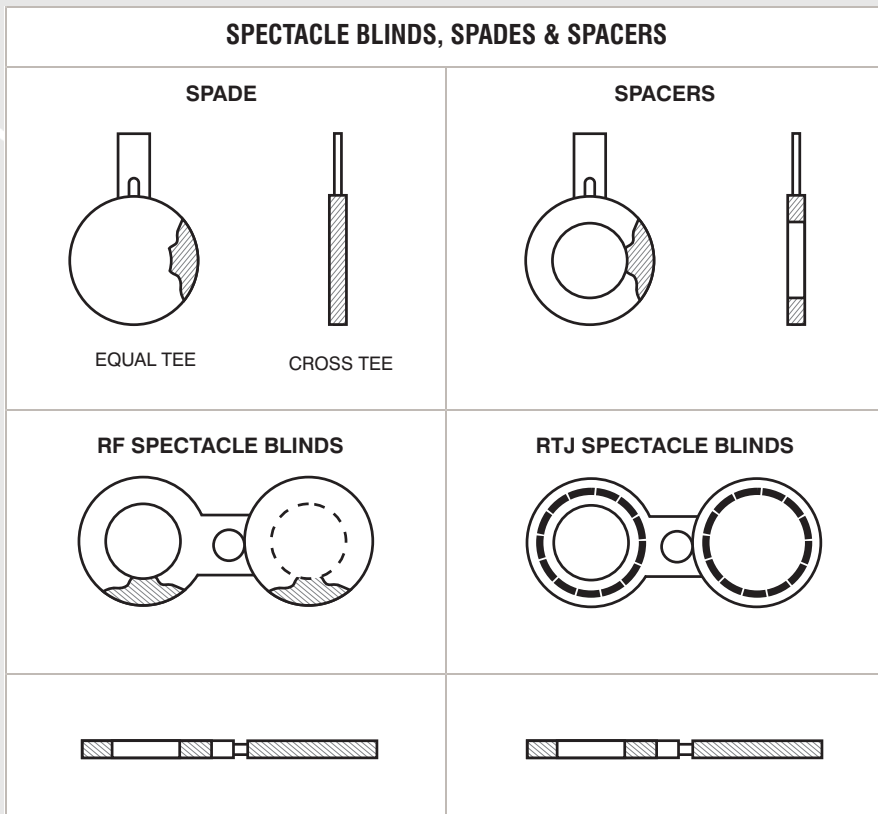
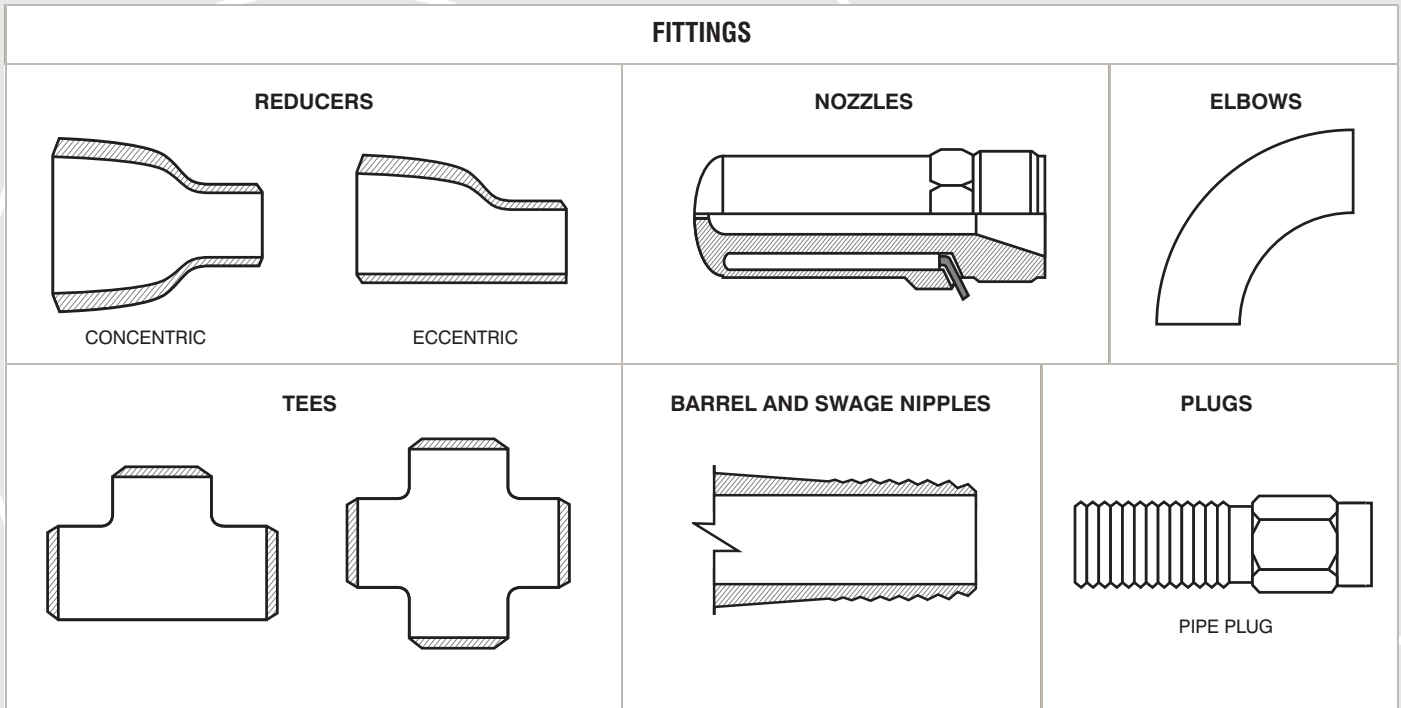
Standard	Size	Rating
ASME B16.5	0.5" – 24"	150 – 2500
BS 3293	Up to 60" Up to 48"	15 – 300 600 – 900
BS 45.04 / BS EN1092)	Up to 60"	PN2.5 – 250

BLIND



Standard	Size	Rating
ASME B16.5	0.5" – 24"	150 – 2500
ASME B16.47 SERIES A (MSS S44)	Up to 60" Up to 47"	150 – 300 600 – 900
ASME B16.47 SERIES B (API 605)	Up to 60"	75 – 300
BS 3293	Up to 60" Up to 48"	15 – 300 600 – 900
BS10/AWWA	Up to 60"	Class B, D, E, F, G, & H
BS 45.04 / BS EN1092	Up to 60"	PN2.5 – 250
AP16a / 6BX	Up to 24"	3 – 20000 psi

SHEET/ PLATE, PIPE FITTINGS, SPECTACLE BLINDS, SPADES & SPACERS



PIPE		
Seamless & Welded	1/4" – 24"	Sch 10 – 160



Up to 24"
Profile, plasma and water jet cut
To: API 590; ASME B16.48 150 – 2500 Rating

Tel: +44 (0) 114 242 3040