

## Borg Marine Grade Keyless Lock for External Timber Gates

This Borg marine grade keyless lock was designed for use in applications where compliance with the ISPS code is needed.

With such high corrosion resistance credentials, this keyless gate lock can be specified for emergency exit routes, quayside security, on-board vessels and other external applications.

Its marine grade corrosion resistance for use in an external environment and also makes this lock an appropriate lock for use on many external gates and doors.

The free passage feature allows for easy access for those occasions when moving goods or when very high through traffic is likely. Free passage allows the gate to be opened by turning one or other handle, without the need for entering the code.

Code changing is a simple operations and does not require specialist skills.



Inside handle



Stainless steel tubular latch

### Ordering Information

Part reference - GATELOCK007

### Technical Overview

Salt water tested

Free passage function

5 layer marine grade polished chrome coating

316 grade stainless steel internal components

Easily reversible

10 large (10 x 11mm) indented buttons

Tested to 100,000 cycles

ISPS approved

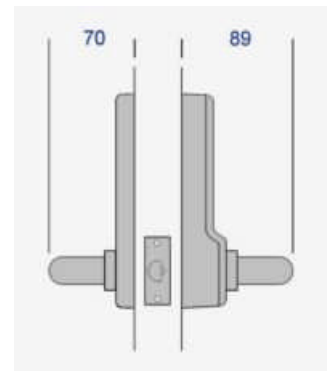
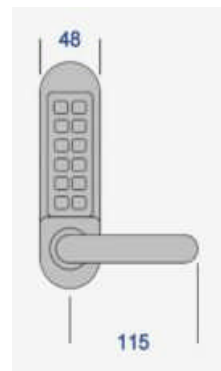
Keypad on one side and inside handle the other

60mm back-set

Stainless steel latch

Suitable for timber gates

**Borg Marine Grade Keyless Lock for External Timber Gates (continued)**



**Contents**

- Keypad and handle
- Inside handle
- Strike plate and box keep
- 60mm standard latch
- 3 Spindles
- 2 Non-coded tumblers
- 2 Coded tumblers
- 1 Tweezers
- 4 4 x 16mm screws
- 2 M4 x 40mm screws
- 2 M4 x 50mm screws
- 2 M4 x 60mm screws
- 2 M4 x 80mm screws
- 1 Long hexagon key
- 1 Rubber handle screw grommet

