

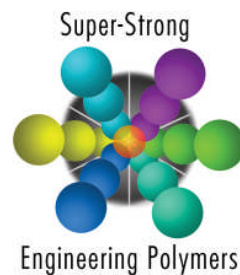
Lokk-Latch Series 2

Lockable, General Purpose Gate Latch

A quality yet, affordable, pedestrian gate latch for general-purpose gates around the home. Made from strong, moulded polymer and fitted with stainless steel components. Lokk-Latch takes a radical new approach to the gravity latch principle by combining the benefits of key locking and reliable latching action using rust-free materials.



We offer Lokk-Latch Series 2 in two models, with or without an external access feature (EAK). EAK allows gates to be operated from outside the fence. The lockable push-button operates through a connecting rod between the latch and push-button. Locking the external push-button does not lock the latch it simply locks the push-button.



Technical Overview

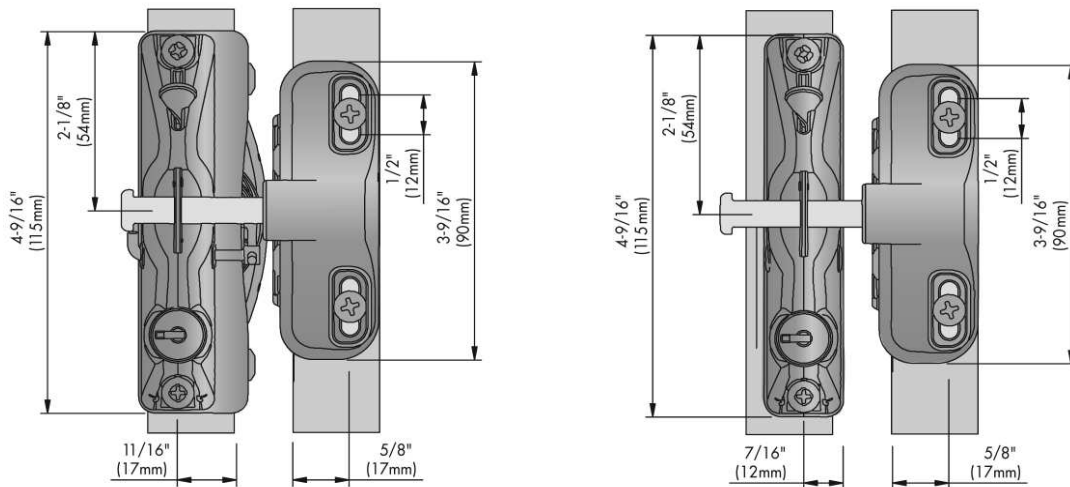
Latch type	Gravity
Re-key	No
Keyed alike	Contact for details
Ideal gate gap	19mm
Gap variance	10-35mm
Vertical adjustment	13mm
Locks both sides	Yes (with EAK)

Ordering Information

GATELATCH003	Lokk-Latch Series 2
GATELATCH004	Lokk-Latch Series 2 + EAK

Dimensions

Latch Only



General Arrangement of Latch Plus EAK and Latch Only

