

Tru-Close Self-Closing Gate Hinge for Metal Gates (light to medium duty)

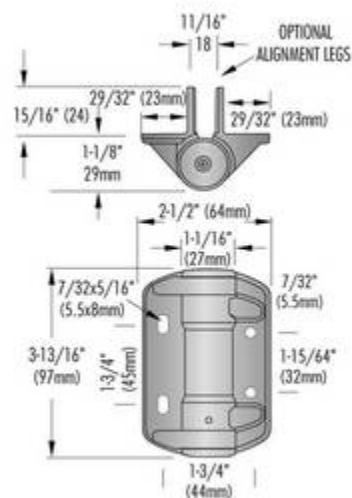
A self-closing adjustable hinge for light to medium weight metal gates around pools, homes, gardens and machinery safety gates.

This model has two quick-fit alignment legs for easy fitting and for added strength. Its polymer body and stainless steel torsion spring ensures this hinge remains 100% rust free for life. No unsightly stains, no binding and no gate sag.

With its slim body, this is the self-closing hinge to choose for hanging a gate with a metal frame. This hinge will snugly fit to a gate with a 25 mm or more box section or angle frame and gives reliable self-closing function and durability.

A quick and easy adjustment feature allows for effortless adjustment and control of gate closing.

These hinges are available in pairs.



Technical overview:

Part number	GATEHINGE004
Gate material	Metal
Fixed gap	18 mm
Self-close weight	25 kg
Gate load*	250 kg
Colour	Black

*Ratings based upon one pair of hinges on a maximum gate size of 1500H x 900W