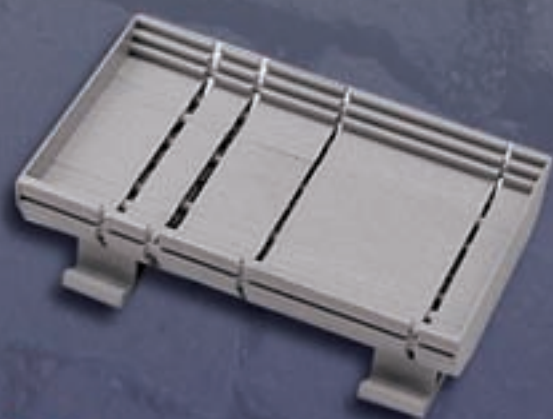
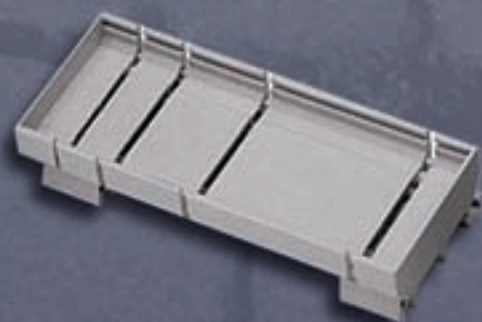


SUP-IP
ELBAG



SUPPORTS - SUPPORTI

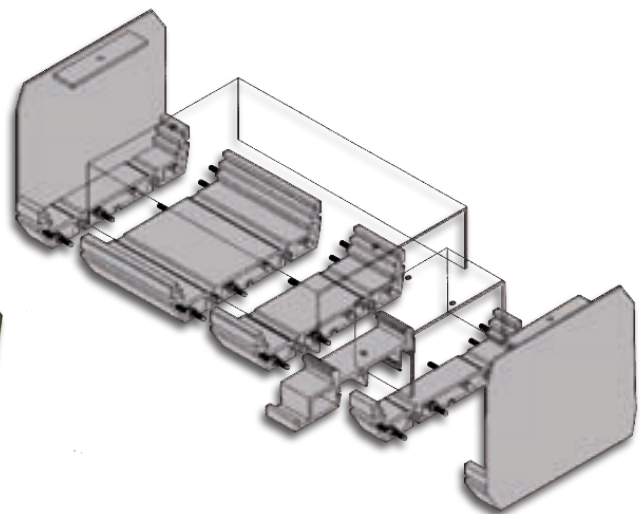
MINI Supports



MODULAR MINI

Two-width patented housing for interface units, Mini Series, are suitable for 68mm and 72mm pcb, for mounting on DIN EN 50022 – 50035 rails. The high side allows for mounting of covers, cut to length, of clear or blind polycarbonate. The material is self-extinguishing polyamide, green (RAL 6017), grey (RAL7035) or black (RAL 7021). **Special colours on request.** Covers can be custom made, clear, black or coloured.

TECHNICAL DRAWINGS ON www.elbag.net

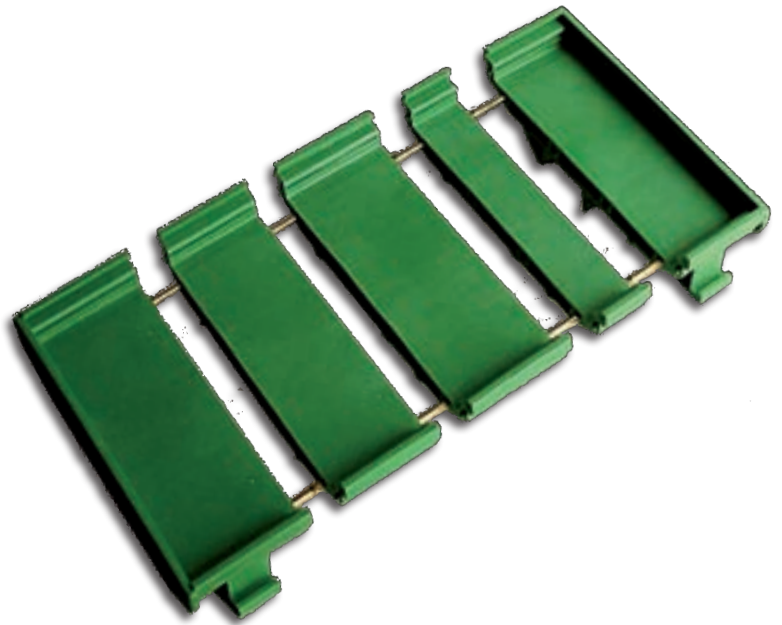


Supporti EURO

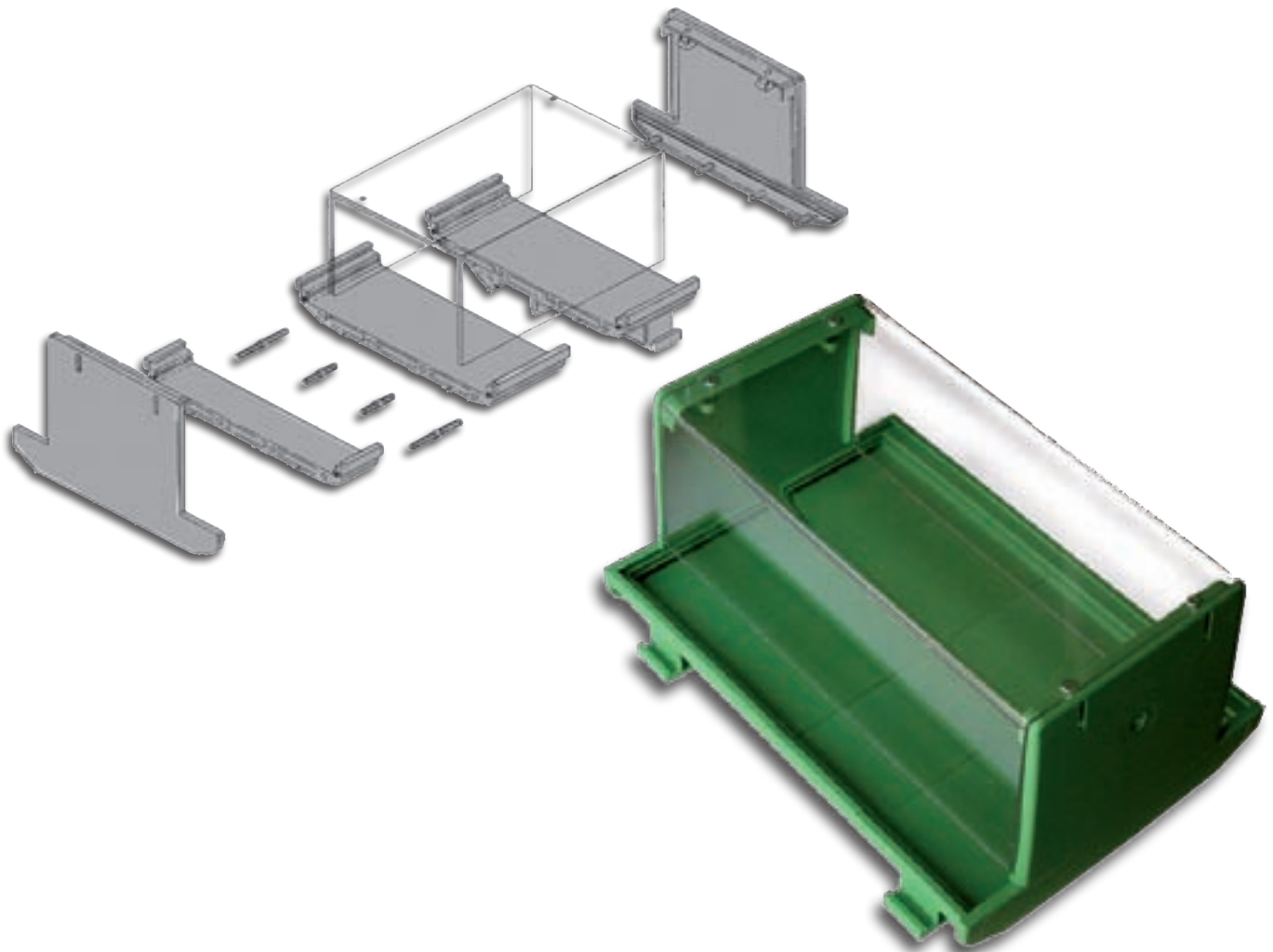
EURO Supports

MODULAR EURO

Two-width patented housings for interface units, Euro Series, suitable for 100 mm and 108 mm pcb, for mounting on DIN EN 50022 – 50035 rail. Protection covers, cut to length, are available, in clear or blind polycarbonate. The material is self-extinguishing polyamide (UL94V0), green (RAL 6017), grey (RAL 7035) or black (RAL 7021). **Special colours on request.** Cover can be custom made, clear, black or coloured.



TECHNICAL DRAWINGS ON: www.elbag.net



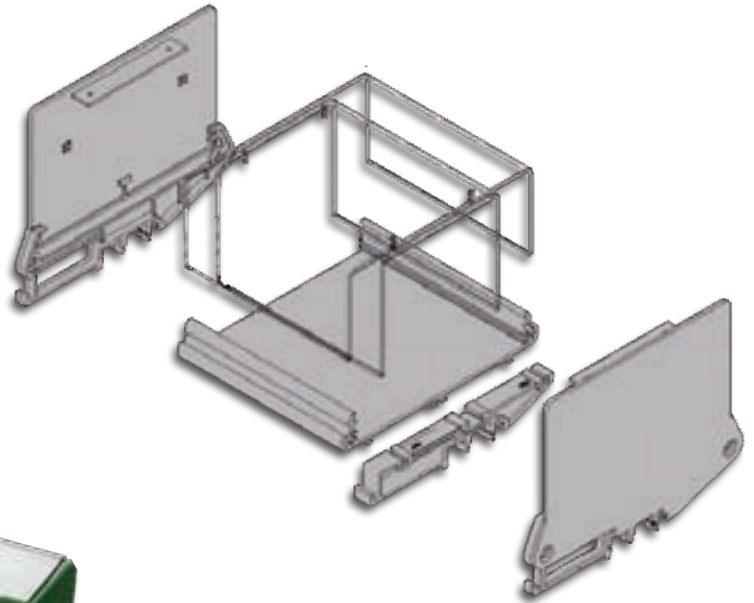
EURO Profile



PROFILE EURO

Profile for interface modules 108 mm wide. Cut to length up to 2 m. The side element with foot is in self-extinguishing PVC (UL94V0). High and low-profile side elements are available (right and left), always including the rail foot. Fixing is by means of self-tapping screws. In case of very long mounting, an auxiliary intermediate clamp is available. **Special colours on request.** On request Polycarbonate cover, clear or coloured.

TECHNICAL DRAWINGS ON: www.elbag.net



Profilo MINI - BABY Modulare

MINI Profile - Modular BABY

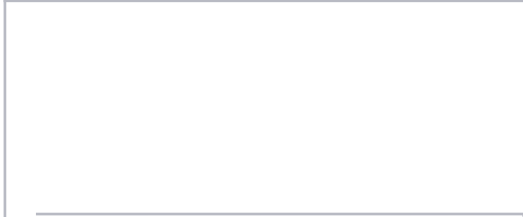


MINI PROFILE

Profile for interface modules 72 mm wide, 2m long, delivered cut to length. The side element with rail foot is in self-extinguishing Nylon V0. The profile is in self-extinguishing PVC (UL94 V0). Side elements are available (right and left), always including the rail foot. Fixing is by means of self-tapping screws. In case of very long mounting, an auxiliary intermediate clamp is available.

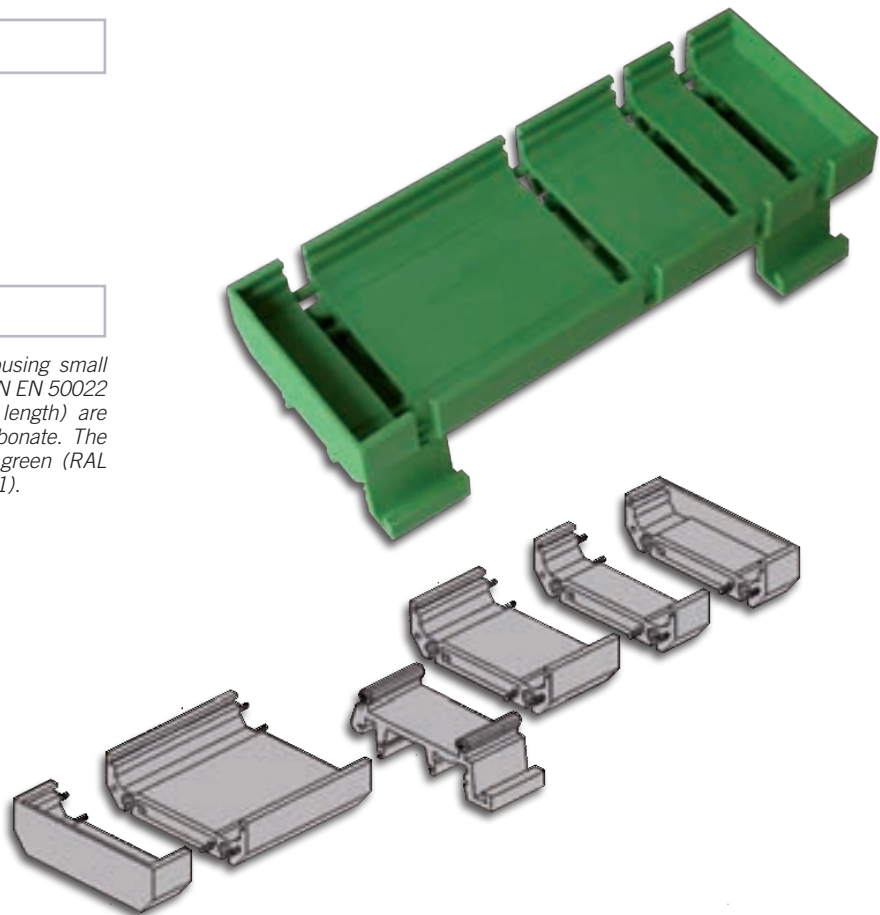


TECHNICAL DRAWINGS ON: www.elbag.net



MODULAR BABY

The BABY Series is 43 mm-wide, for housing small interface units, suitable for mounting on DIN EN 50022 – 50035 rail. Protection covers (cut to length) are available, made of clear or blind polycarbonate. The material is self-extinguishing (UL 94V0), green (RAL 6017), grey (RAL 7035) or black (RAL7021).



Supports DLM - DLA - RS



DLM

DLM

Multilevel modular interface which allows to house multiple boards, mm 68 or 72 wide. On request plastic covers, clear or coloured, are available. The side elements can be blind or vented. The DLM housing is suitable for several mounting systems, with longitudinal, transversal, horizontal and vertical pcb's. The electronics can be sandwich-mounted. The lowest guide can accommodate a plain heat-sink. The sides are provided with vertical guides and they can be closed or vented.

TECHNICAL DRAWINGS ON: www.elbag.net

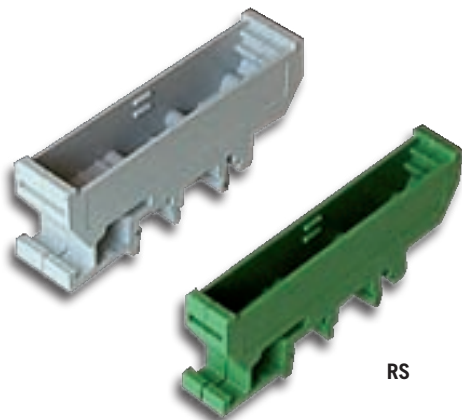


DLA

DLA

Multilevel modular housing which allows to house multiple boards, mm 68 or 72 wide, covered by a clear, black or coloured plastic top. The side elements can be blind or vented. The DLA housing is suitable for several mounting systems, with longitudinal, transversal, horizontal and vertical pcb's. The sides are equipped with horizontal and vertical guides. The upper part is provided with guides for printed circuits, which can be closed by means of a cover to be fixed to the horizontal stair of the side by means of a screw.

TECHNICAL DRAWINGS ON: www.elbag.net



RS

RS

Two-width patented housing for single relay or optocoupler, available in 11.5 and 16.5 mm length, with the same left side and two different right sides. The overall width is compatible with Mini Series, but the rail foot is mounted on the left side.