

SIMP  
EL BAG



VERTICAL HOUSINGS - VERTICALI

# Din Rail Vertical Housing CM



CM20

## CM20 - 22.5 mm

Housing for DIN-EN 50022-50035 rail is suitable for mounting one vertical printed circuit and to house connectors, faston or detachable terminal strips of any step. On the front side is possible to add, with closed housing, a plate with holes for led. Custom drilling on any side (windows, holes and slots) Made of Blend PC/ABS class V2, or on request V0 (UL94), in green (RAL6017), in grey (RAL7035) or in black (RAL7021). **Special colours on request.**

## Dimensions



TECHNICAL DRAWINGS ON: [www.elbag.net](http://www.elbag.net)



CM32

## CM32 - 22.5 mm

Housing for DIN-EN 50022-50035 rail is suitable for mounting one vertical printed circuit and to house connectors, faston or detachable terminal strips of any step. Custom drilling on any side (windows, holes and slots) Made of self-extinguishing polyamide 6,8 (UL94V0), in green (RAL6017), in grey (RAL7035) or in black (RAL7021). **Special colours on request.**

# Din Rail Vertical Housing CM

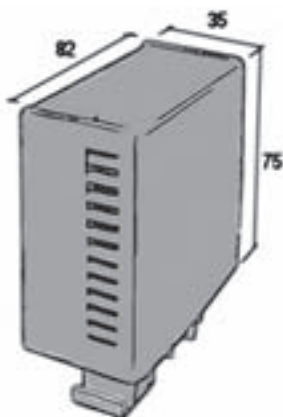
## CM20/30 - 35 mm

Housing for DIN-EN 50022-50035 rail is suitable for mounting two vertical printed circuits and to house connectors, faston or detachable terminal strips of any step. On the front side is possible to add, with closed housing, a plate with holes for led. Custom drilling on any side (windows, holes and slots). Made of Blend PC/ABS class V2, or on request V0 (UL94), in green (RAL6017), in grey (RAL7035) or in black (RAL7021). **Special colours on request.**



CM20/30

## Dimensions



TECHNICAL DRAWINGS ON: [www.elbag.net](http://www.elbag.net)

## CM32/20 - 35 mm

Housing for DIN-EN 50022-50035 rail is suitable for mounting one vertical printed circuit and to house connectors, faston or detachable terminal strips of any step. Custom drilling on any side (windows, holes and slots). Made of self-extinguishing polyamide 6,8 (UL94V0), in green (RAL6017), in grey (RAL7035) or in black (RAL7021). **Special colours on request.**



CM32/30

# Din Rail Vertical Housing CM

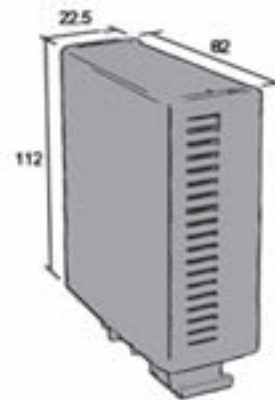


CM36

## CM36 - 22.5 mm

Housing for DIN-EN 50022-50035 rail is suitable for mounting one vertical printed circuit and to house connectors, faston or detachable terminal strips of any step. On the front side is possible to add, with closed housing, a plate with holes for led. Custom drilling on any side (windows, holes and slots). Made of Blend PC/ABS class V2, or on request V0 (UL94), in green (RAL6017), in grey (RAL7035) or in black (RAL7021). **Special colours on request.**

## Dimensions



TECHNICAL DRAWINGS ON: [www.elbag.net](http://www.elbag.net)



CM48

## CM48 - 22.5 mm

Housing for DIN-EN 50022-50035 rail is suitable for mounting one vertical printed circuit and to house connectors, faston or detachable terminal strips of any step. Custom drilling on any side (windows, holes and slots). Made of self-extinguishing polyamide 6,8 (UL94V0), in green (RAL6017), in grey (RAL7035) or in black (RAL7021). **Special colours on request.**

# Din Rail Vertical Housing CM



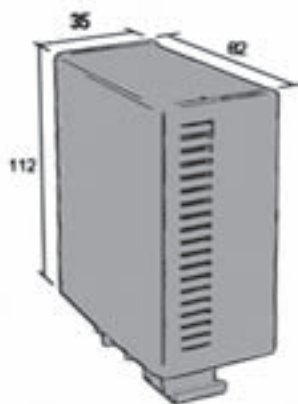
## CM36/30 - 35 mm

Housing for DIN-EN 50022-50035 rail is suitable for mounting two vertical printed circuits and to house connectors, faston or detachable terminal strips of any step. On the front side is possible to add, with closed housing, a plate with holes for led. Custom drilling on any side (windows, holes and slots). Made of Blend PC/ABS class V2, or on request V0 (UL94), in green (RAL6017), in grey (RAL7035) or in black (RAL7021). **Special colours on request.**



CM36/30

## Dimensions



## CM48/30 - 35 mm

Housing for DIN-EN 50022-50035 rail is suitable for mounting two vertical printed circuits and to house connectors, faston or detachable terminal strips of any step. Custom drilling on any side (windows, holes and slots). Made of self-extinguishing polyamide 6,8 (UL94V0), in green (RAL6017), in grey (RAL7035) or in black (RAL7021). **Special colours on request.**



CM48/30

# Din Rail Vertical Housing CM

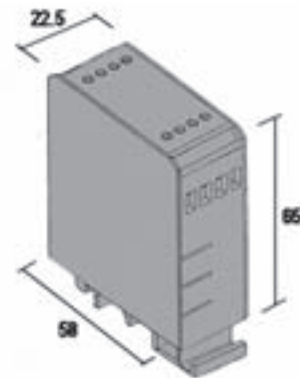


CM8

## CM8

Modular housing in mm 22,5 step. Self-extinguishing Tecnopolymer nylon class V0 (UL94) in green or grey. Can be mounted on C rail DIN EN 50035 or OMEGA-DIN EN 50022-50045. Possibility of coupling two framers with Pin Cod. 80/3.

## Dimensions



TECHNICAL DRAWINGS ON: [www.elbag.net](http://www.elbag.net)



CM14

## CM14

Modular housing in mm 22,5 step, suitable for C and OMEGA-DIN rail, for vertical printed circuit with 14 connections at mm 5 – 5,08 step. It's possible to decrease the number of connections by closing the strip windows. Any step of terminal strip can be used, both fixed and detachable. Made in NORYL class V0 (UL94) V2 in grey RAL 7035.

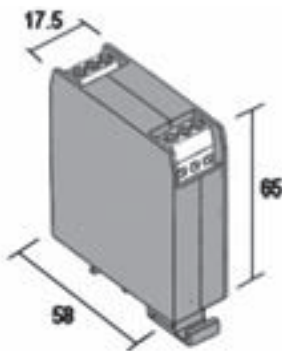
## Dimensions

# Din Rail Vertical Housing CM


## CM6

Modular housing in mm 17,5 step, suitable for C and OMEGA-DIN rail, with vertical printed circuit and the possibility to increase the number of connections by opening areas (A), (B) and (C). Any step of terminal strip can be used, both fixed and detachable. Made in NORYL class V0 (UL94) V2 in grey RAL 7035.

### Dimensions



CM6



TECHNICAL DRAWINGS ON: [www.elbag.net](http://www.elbag.net)


## CM36/17 - 17.5 mm

Housing for DIN-EN 50022-50035 rail is suitable for mounting one vertical printed circuit and to house connectors, faston or detachable terminal strips of any step. On the front side is possible to add, with closed housing, a plate with holes for led. Custom drilling on any side (windows, holes and slots). Made of self-extinguishing ABS/PC-Blend V2 (UL94V0 on request), in green (RAL6017), in grey (RAL7035) or in black (RAL7021).

### Dimensions



CM36/17



# Din Rail Vertical Housing CB



CB45



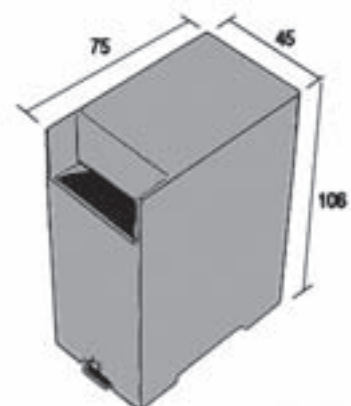
CB45

## CB45

CB45 housing for DIN-50022 rail can house printed circuits in the longitudinal or transversal pcb's guides. Suitable to house connectors and fixed or detachable terminals of any step. Custom drilling on any side (windows, holes and slots). Made of Blend PC/ABS class V2-V0 (UL94), in green (RAL6017), in grey (RAL7035) or in black (RAL7021). The modular housing CB45 can house several pcb's equipped with standards p.c. boards terminal, vertical or detachable. The cover can be blind, with one or two windows. On request can be drilled for displays and controls. In the blind version che CB45 is suitable for sealing of electric/electronic modules. **Special colours on request.**

TECHNICAL DRAWINGS ON: [www.elbag.net](http://www.elbag.net)

## Dimensions





# Contenitori Verticali Guida Din CB

## Din Rail Vertical Housing CB

### CB90

La custodia CB90 per guida DIN-EN 50022 è adatta a contenere circuiti stampati nei guida-schede longitudinali o trasversali. Sono utilizzabili connettori o morsetti a vite fissi o estraibili di qualsiasi passo. Si eseguono lavorazioni custom su qualsiasi lato del contenitore (cave, fori, asole). Il materiale utilizzato è Blend PC/ABS in classe V2-V0 (UL94) nei colori standard verde (RAL6017), grigio (RAL7035) e nero (RAL7021). Il contenitore CB90 permette il montaggio di più schede longitudinali e trasversali nelle apposite guide. Il coperchio può essere chiuso con più aperture per morsetti e connettori. A richiesta sono disponibili forature speciali su ogni lato. **Colori speciali a richiesta.**

### CB90

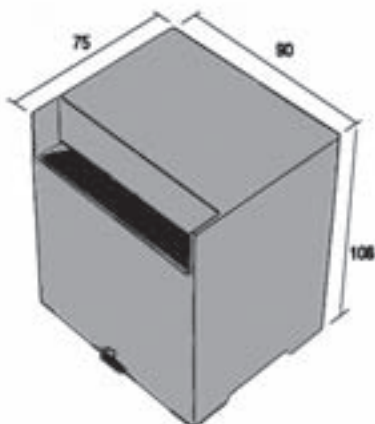
CB90 housing for DIN-50022 rail can house printed circuits in the longitudinal or transversal pcb's guides. Suitable to house connectors and fixed or detachable terminals of any step. Custom drilling on any side (windows, holes and slots). Made of Blend PC/ABS class V2-V0 (UL94), in green (RAL6017), in grey (RAL7035) or in black (RAL7021). The housing is equipped with longitudinal and transversal guide, in order to accommodate for several pcb's. The cover can be blind or with windows for terminal strips and connectors. On request custom drilling is available on any side. **Special colours on request.**

TECHNICAL DRAWINGS ON: [www.elbag.net](http://www.elbag.net)

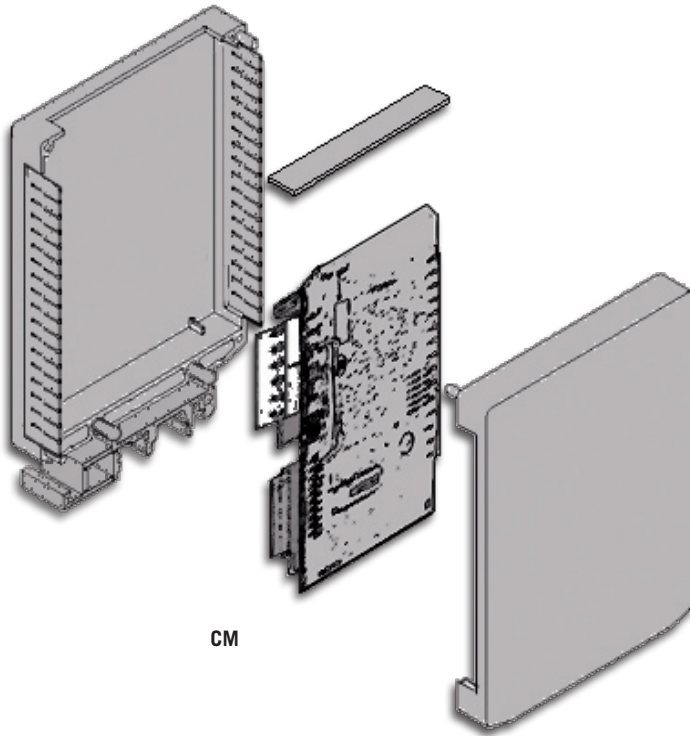


CB90

### Dimensions



CB90

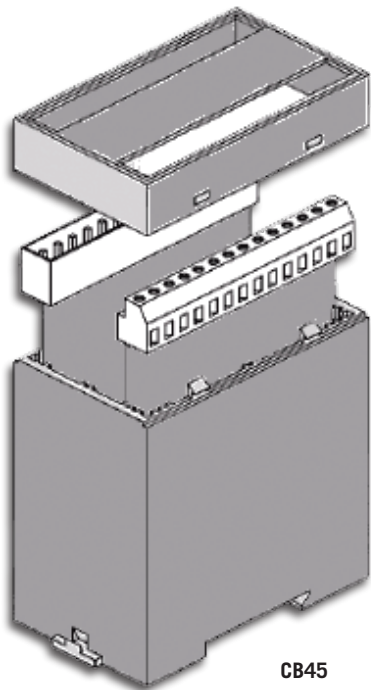


CM

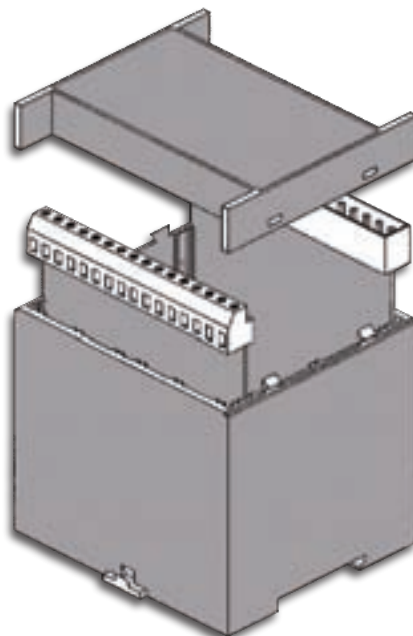
**VERTICAL HOUSING CM**

Typical arrangement of pcb in CM vertical housing for DIN rail. The pcb is inserted between the two halves of the case. Connections are usually on rear/back sides. Trimmers, LED's and controls can be foreseen on the top side.

TECHNICAL DRAWINGS ON: [www.elbag.net](http://www.elbag.net)



CB45



CB90

**VERTICAL HOUSING CB**

Typical arrangement of pcb in CB vertical housing for DIN rail. One or more pcb's are inserted in the transversal or longitudinal guides. Connections are usually on pcb's edge. Trimmers, LED's and controls can be foreseen on the top side.