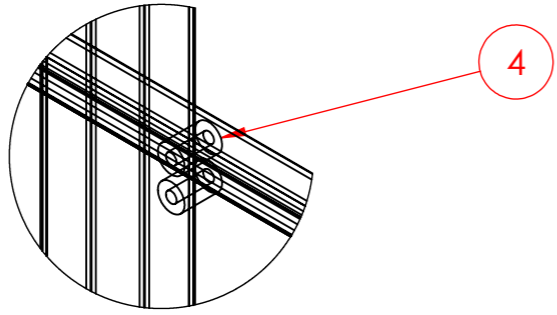
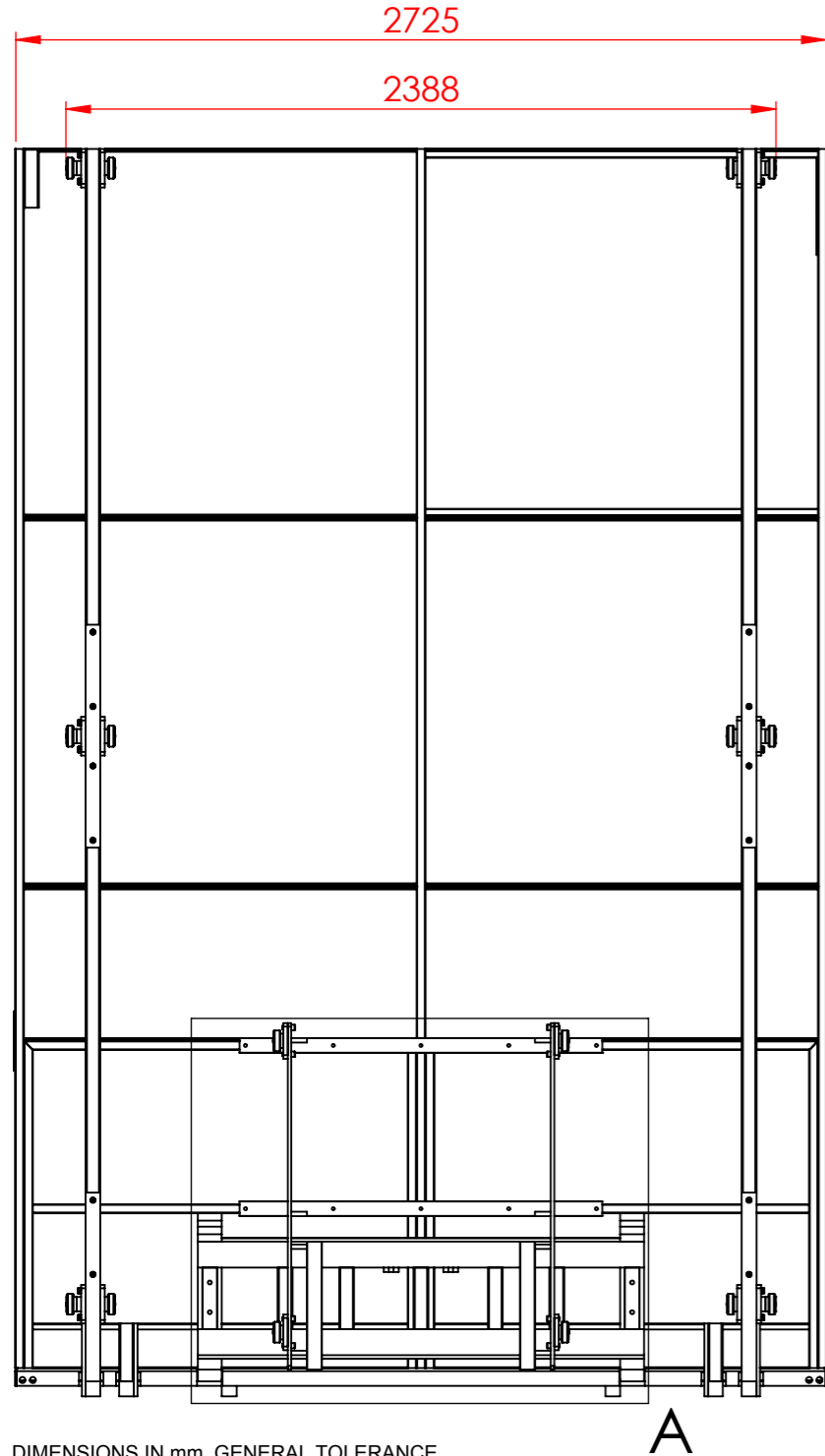


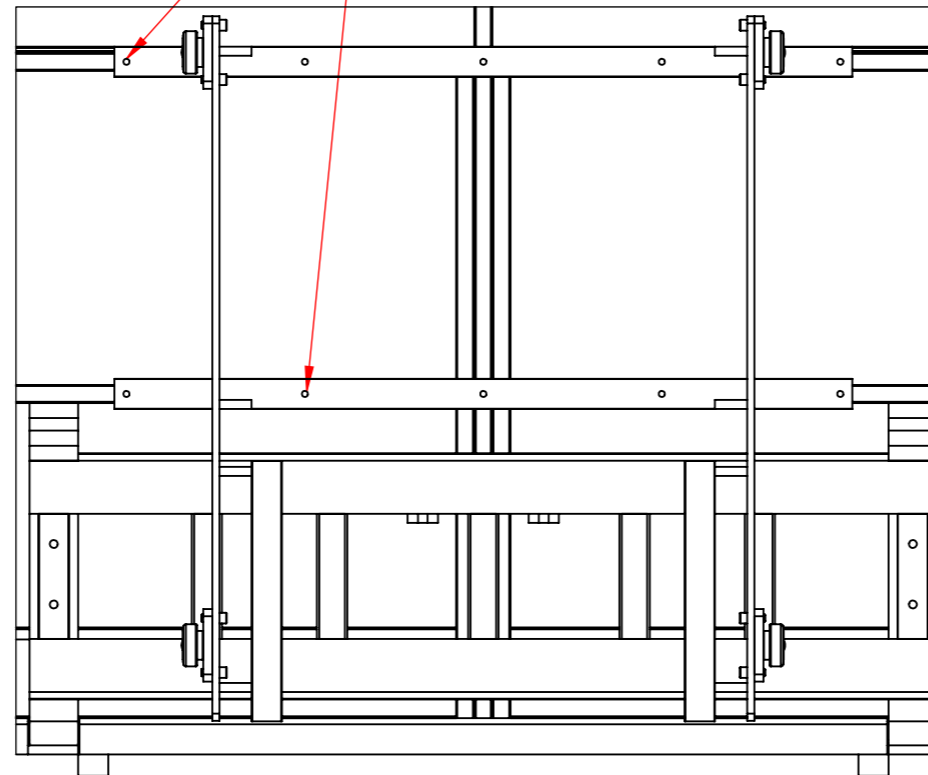
**DETAIL C
SCALE 1 : 5**



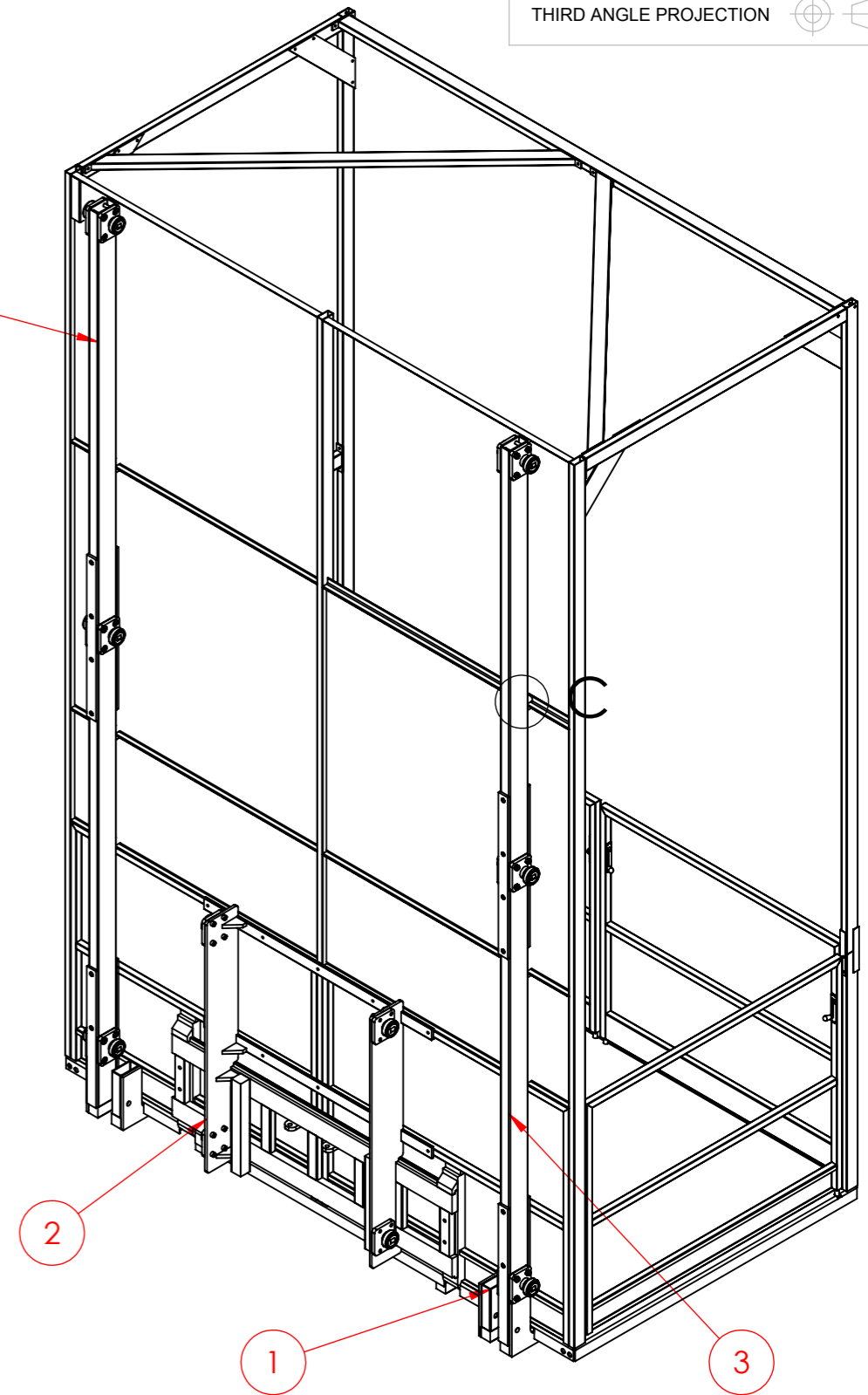
ADDITIONAL CAGE GUIDE CARRIAGES. WILL REQUIRE BOLTING TO PLATFORM THROUGH ANGLE FRAME AND BASE. THE CARRIAGES WILL BE ASSEMBLED WITH THE MASTS ON DELIVERY TO SITE, HOLES WILL HAVE TO BE DRILLED TO SUIT WHEN THE PLATFORM IS PLACED ON TOP.



CARRIAGE TO BE LOCATED IN MAST CHANNELS AND THEN BOLTED TO PLATFORM TO SUIT.



**DETAIL A
SCALE 2 : 25**



ITEM NO.	PART NUMBER	DESCRIPTION	QTY.
1	EQ14644A-HW-002A	MODIFIED WELDED PLATFORM	1
2	EQ14644A-AS-007	MODIFIED CARRIAGE ASSEMBLY	1
3	EQ14644A-AS-017	ASSEMBLED CAGE GUIDE CARRIAGE	2
4	S-RT-005	25 x 7.5mm WALL TUBE, CUT TO 35mm	12

PART No: EQ14644A-AS-008
PART NAME: PLATFORM WITH MODIFIED CARRIAGE

MATERIAL: see component drawings	DRN BY: SPC	No. OFF. 1
FINISH: N/A	DRN: 02/11/2011	
DRAWING. No: D-EQ14644A-AS-008-A	SCALE: 1:25	
	ORIGINAL SHEET SIZE: A3	

ALL DIMENSIONS IN mm, GENERAL TOLERANCE OF 0.5mm UNLESS OTHERWISE SPECIFIED THIS DRAWING FORMS PART OF A REGISTERED DESIGN

-		XX.XX.XX
-	Manual Handling Solutions, 58, Paige Close, Watlington, Kings Lynn, Norfolk, PE33 0TQ. Tel 01553 811977 Fax 01553 811004	XX.XX.XX
-	sales@manualhandlingsolutions.co.uk www.manualhandlingsolutions.com	XX.XX.XX
ISSUE	DESCRIPTION	