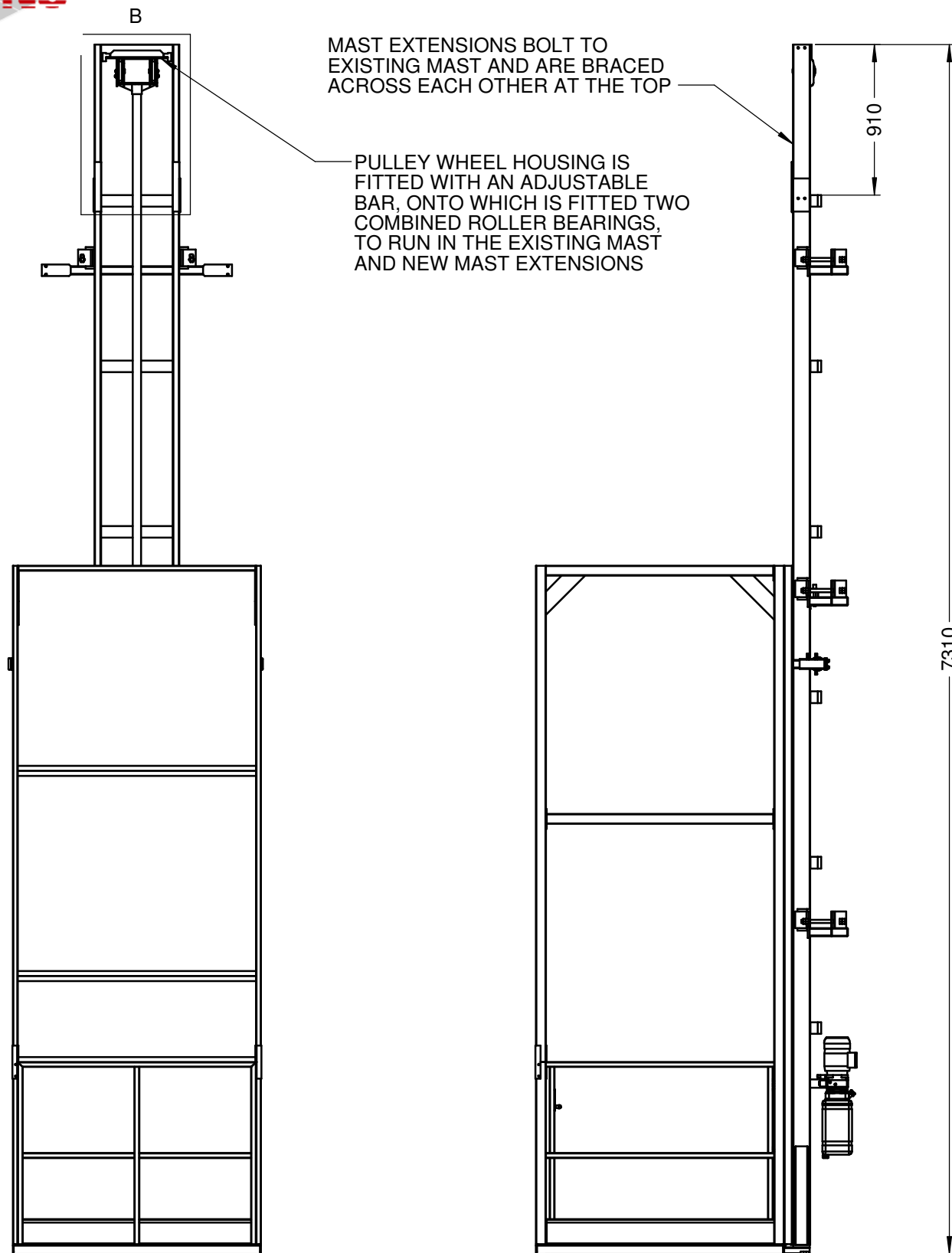


DETAIL A  
SCALE 1 : 3

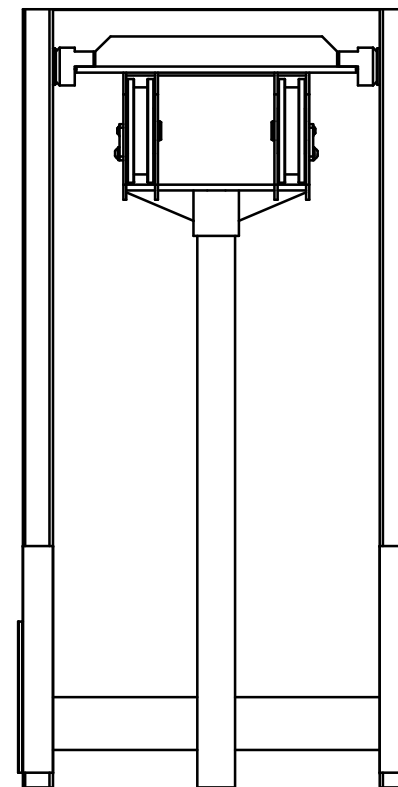
ALL DIMENSIONS IN mm, GENERAL TOLERANCE OF 0.5mm UNLESS OTHERWISE SPECIFIED  
THIS DRAWING FORMS PART OF A REGISTERED DESIGN

-	-	XX.XX.XX
-	Manual Handling Solutions 58, Paige Close, Watlington, Kings Lynn, Norfolk, PE33 0TQ Tel 01553 811977 Fax 01553 811004	XX.XX.XX
-	sales@manualhandlingsolutions.co.uk www.manualhandlingsolutions.com	XX.XX.XX
ISSUE	DESCRIPTION	DATE

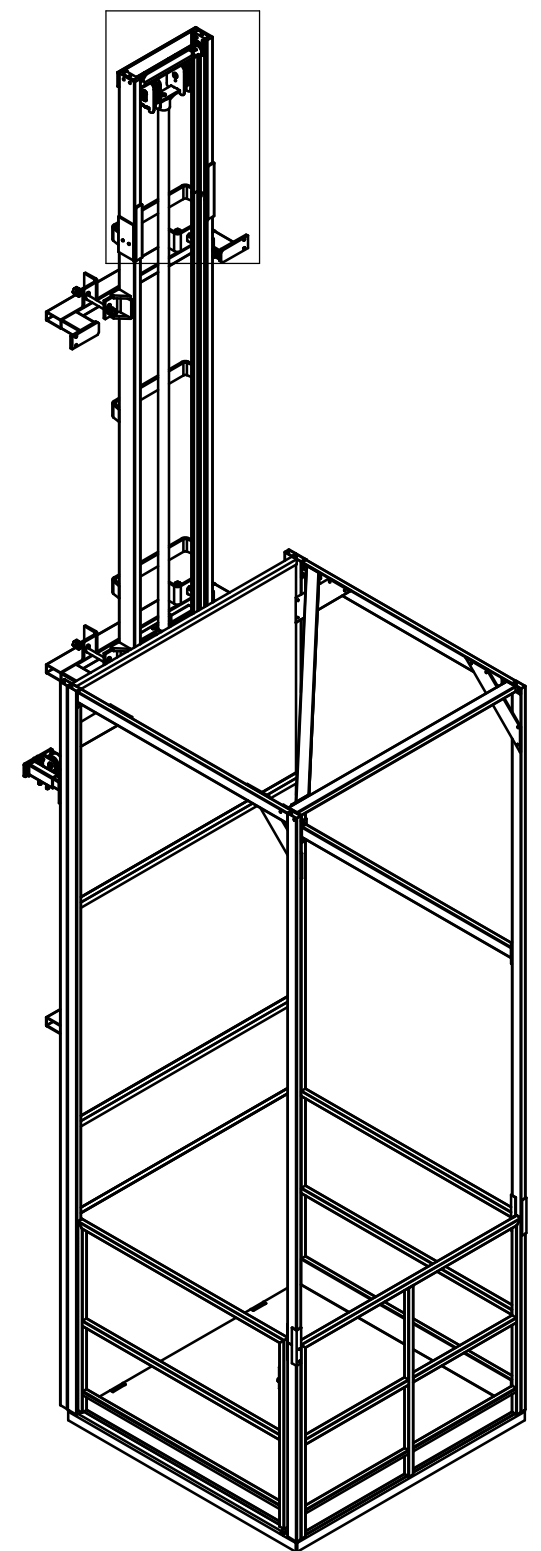
PART No:SP-NT-MZL-14643A		No. OFF.
PART NAME: MEZZ FLOOR LIFT, 250KG CAPACITY		1
MATERIAL: AS PER INDIVIDUAL ITEMS		
FINISH: REMOVE SHARP EDGES		
DRAWING. No: D-SP-NT-MZL-14643A-A		SCALE:1:15
		ORIGINAL SHEET SIZE:
		<b>A3</b>



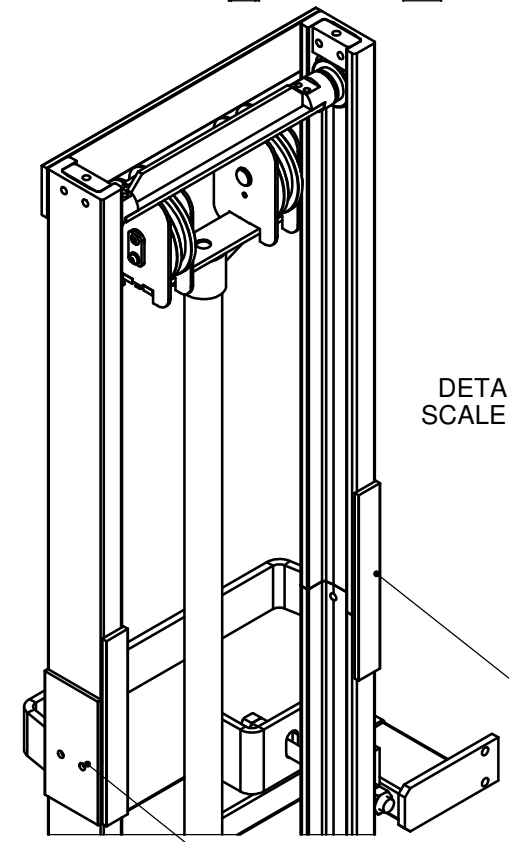
DETAIL B  
SCALE 1 : 10



**C**



DETAIL C  
SCALE 1 : 10



ALL DIMENSIONS IN mm, GENERAL TOLERANCE OF 0.5mm UNLESS OTHERWISE SPECIFIED  
THIS DRAWING FORMS PART OF A REGISTERED DESIGN

-	-	XX.XX.XX
-	Manual Handling Solutions 58, Paige Close, Watlington, Kings Lynn, Norfolk, PE33 0TQ Tel 01553 811977 Fax 01553 811004	XX.XX.XX
-	sales@manualhandlingsolutions.co.uk www.manualhandlingsolutions.com	XX.XX.XX
ISSUE	DESCRIPTION	DATE

PART No:SP-NT-MZL-14643A		No. OFF.
PART NAME: MEZZ FLOOR LIFT, 250KG CAPACITY		1
MATERIAL: AS PER INDIVIDUAL ITEMS	DRN BY: SLL	
FINISH: REMOVE SHARP EDGES	DRN:14/11/2011	
DRAWING. No: D-SP-NT-MZL-14643A-A	SCALE:1:35	
	ORIGINAL SHEET SIZE:	
	<b>A3</b>	