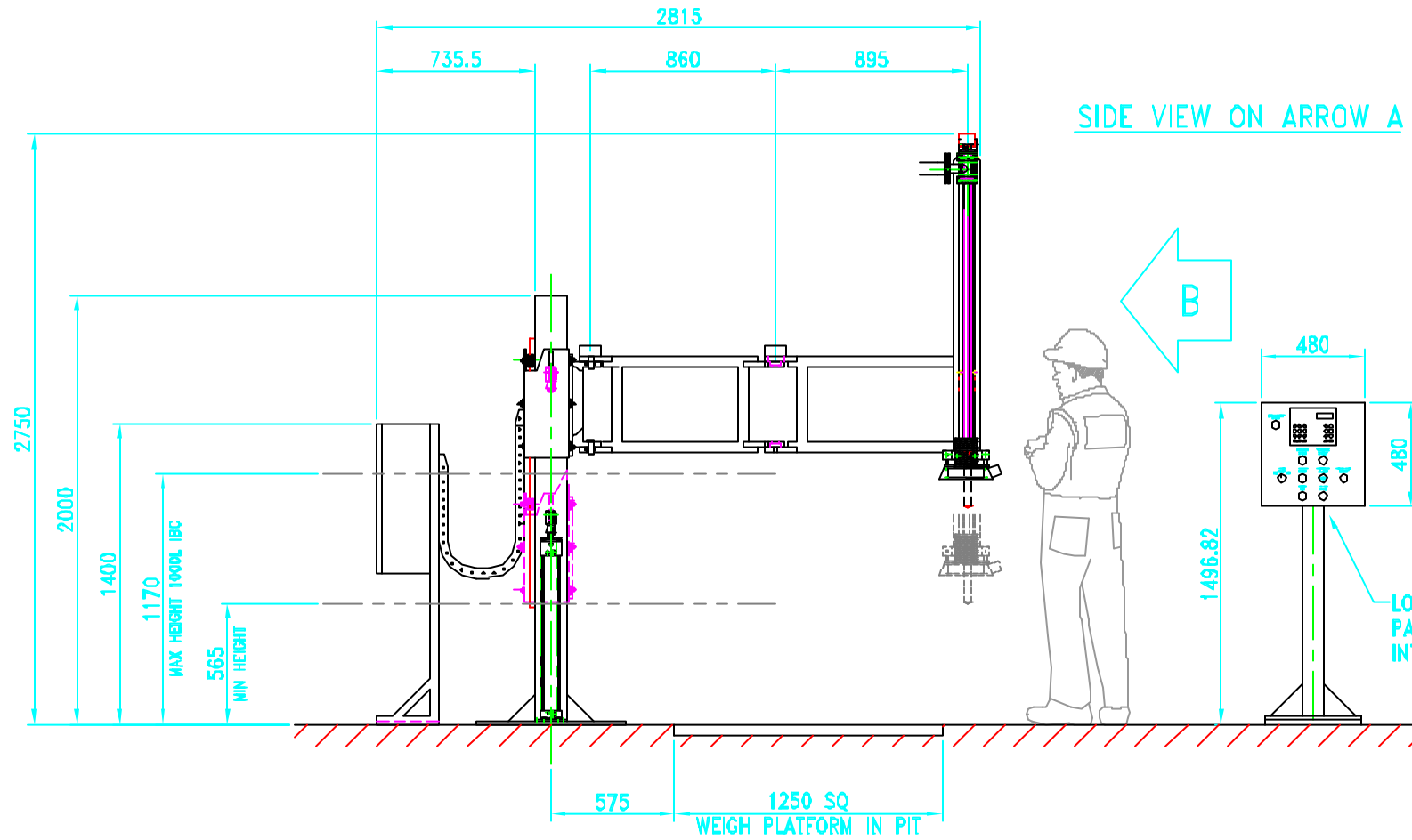
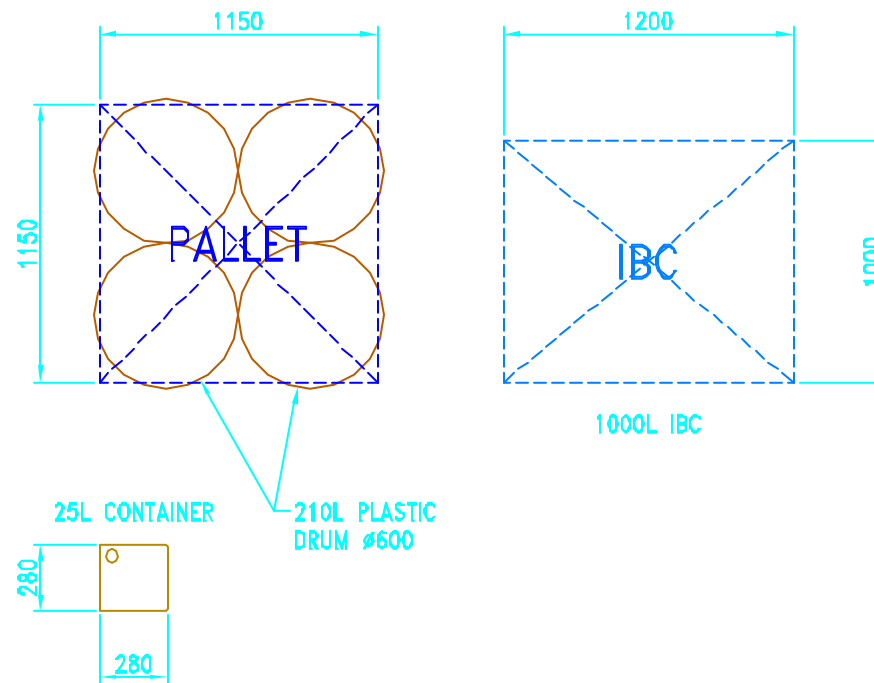
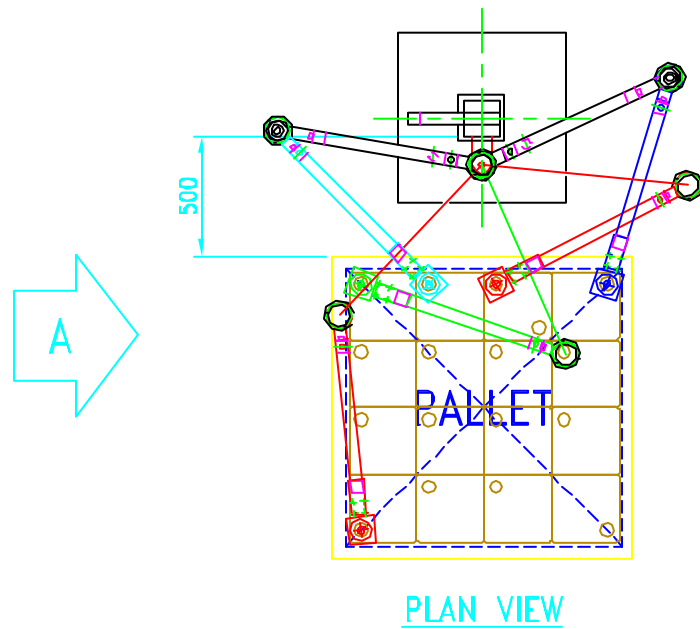
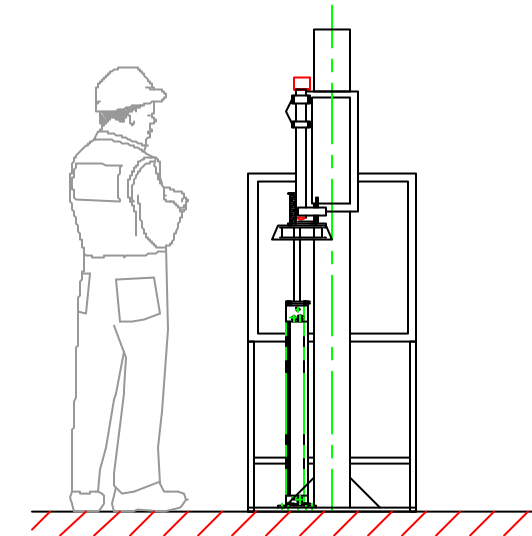


DO NOT SCALE - IF IN DOUBT ASK



FRONT VIEW ON ARROW B



FOR ILLUSTRATION PURPOSES ONLY

REV	DESCRIPTION	BY	DATE
A	ORIGINAL ISSUE	GW	09/06/03

KANON
LIQUID HANDLING

Tel: +44 (0) 1530 263000
Fax: +44 (0) 1530 264222
E-Mail: Info@kanon.uk.com
Web: www.kanon.uk.com

Suite 4 Brookside House Business Centre
Spring Road Ibstock Leicestershire LE67 6LR

DRG TITLE: **General Arrangement For Jointed Arm Type Multi-Drum on Pallet/IBC Bottom Filling Machine**

CLIENT: -

PROJECT: **Standard Drawings**

DRAWN: **GW**

CHECKED: **PK**

DATE: **09/06/03**

SCALE: **N.T.S.**

ALL DIMENSIONS IN mm U.O.S.

IMPORTANT: This drawing has been prepared by and is the copyright of Kanon Liquid Handling. It must not be copied or reproduced without the written consent of Kanon Liquid Handling. Drawing size = A3.

DRG No.
STD016

REV
A