



Wye Cylinder Engineering

Manufacturers of hydraulic cylinders,
sub contract C.N.C. machining,
cylinder tube honing

Tipping kits for 3.5-7.5 Ton (gvw) commercial vehicles

Items available in the kits

(kit can be modified to suit the customer)

- 1: **Cylinder:** Under floor multi-stage displacement. Choice of 5 see reverse for specification.
- 2: **Power pack:** 12/24 volt c/w covers. 5, 7.5 & 10 Litre tanks available.
- 3: **Remote control:** links directly to power pack via smart switch. 3.5 metre wander lead.
- 4: **Hydraulic kit:** hose assembly c/w fittings.
- 5: **'H' frame:** main fabrication for cylinder mount.
- 6: **Rear hinge assembly:** bushes, locking collar, grease nipples.
- 7: **Thrust frame:** top mounting for cylinder c/w pin.
- 8: **Power pack mounting:** locates power pack on vehicle chassis.
- 9: **Forged bracket:** mounts cylinder into 'h' frame, zinc plated c/w with grease nipple.
- 10: **Body prop:** supports body to allow maintenance work. Fully zinc plated.

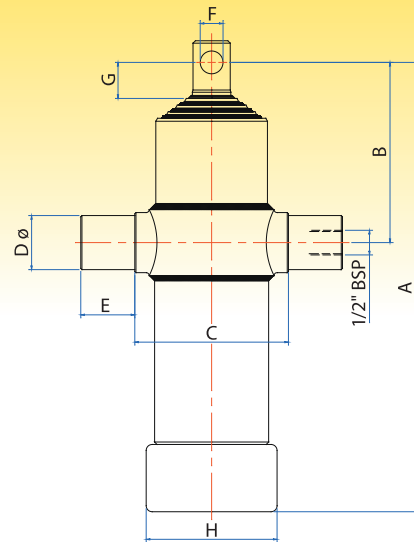
All the above items are in stock at Wye and can be dispatched on overnight carrier.



Designed and
manufactured
in the UK*

3-way underfloor tipping kit available
from stock, call for more details.

* not electrical components



Part No	Stroke	Stage Diameters in mm					All Dimensions in mm							
		45 Ø	60 Ø	75 Ø	90 Ø	105 Ø	A	B	C	D	E	F	G	H
D909/A	910	■	■	■			460	399	118	40 Ø	40	26 Ø	35	95 Ø
D917/A	1057	■	■	■			509	473	118	40 Ø	40	26 Ø	35	95 Ø
D900/A	943	■	■	■	■		378	150	133	45 Ø	45	26 Ø	33	135 Ø
D918/A	1180	■	■	■	■		453	417	133	45 Ø	45	26 Ø	33	110 Ø
D903/A	1158	■	■	■	■	■	378	120	148	45 Ø	45	26 Ø	33	147 Ø
D919/A	1468	■	■	■	■	■	453	417	148	45 Ø	45	26 Ø	33	125 Ø

TIPPING KIT SPECIFICATIONS

- Complete range of under floor tipping kits for 3.5 to 7.5 tonne GVW vehicles.
- 3.5 to 7.5 tonne GVW **3 way tipping kits** available from stock.
- Cylinders and metalwork manufactured in house assuring quality products.
- Technical department can advise on correct cylinder and kit for tipping application.
- Detailed drawings of cylinders available on request.
- Cylinders have **Hard Chrome** plated inner tubes and **Zinc** plated outer tube. These treatments prolong cylinder life.

Wye Cylinder Engineering Ltd

403 Netherwood Road • Rotherwas Industrial Estate • Hereford HR2 6JU

Tel: 01432 355454

Fax: 01432 358727

Email: sales@wye-cylinder.co.uk

Web: www.wye-cylinder.co.uk

Standard under floor displacement tipping cylinders