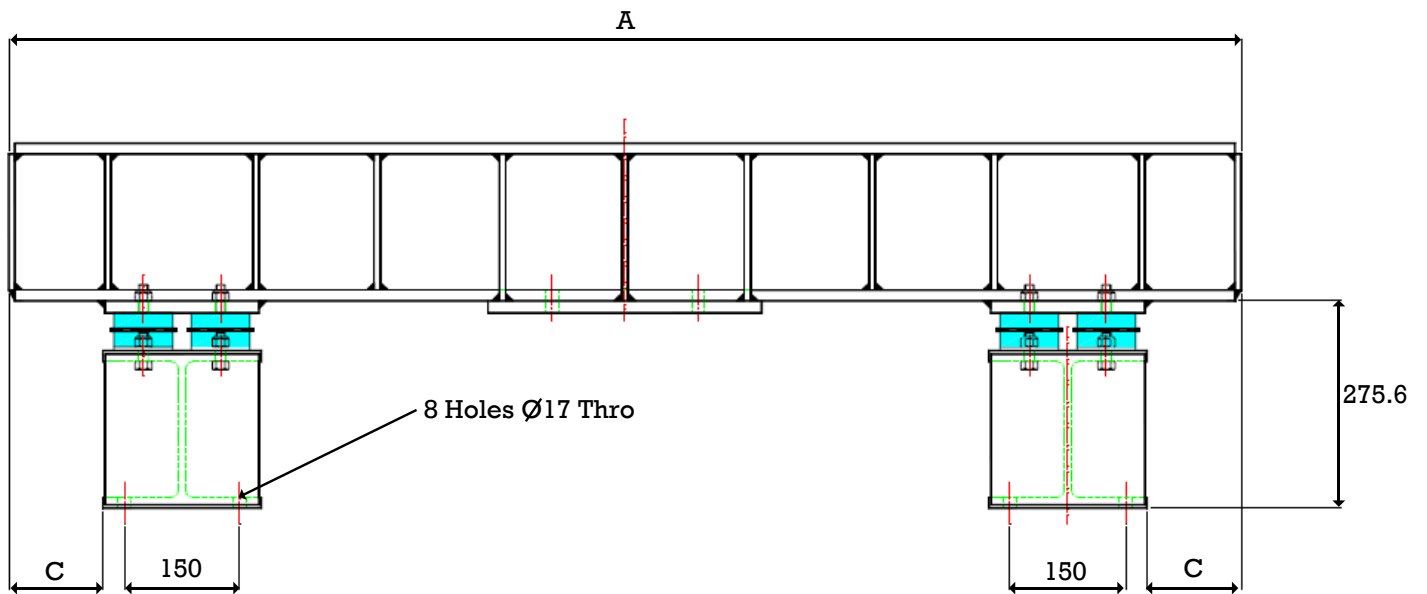
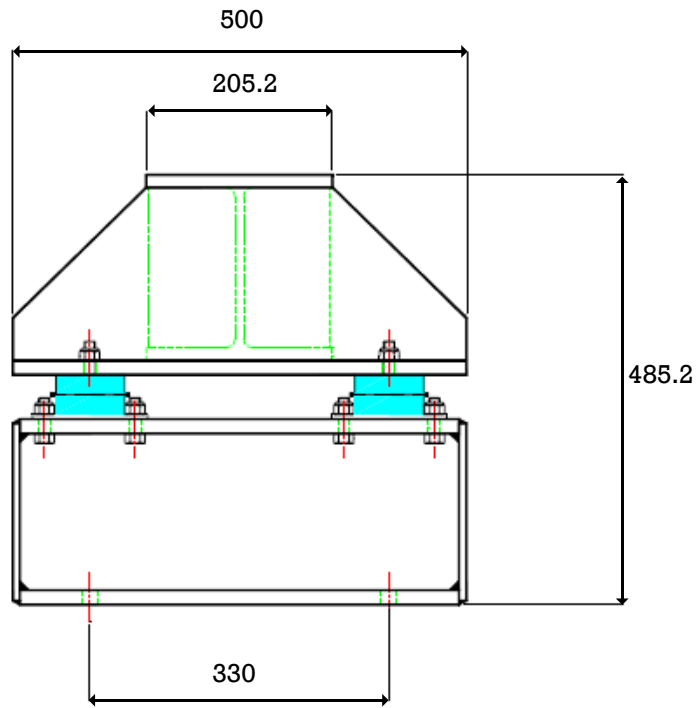


HEAVY DUTY TRESTLES

MODEL TR

- Uniform distribution of vibration along the beam of the trestle
- Able to withstand up to 8' g's of acceleration up to 9000 rpm
- Standard designs from 0.7m to 1.65m length
- Quiet alternative to vibrating tables
- Capable of withstanding heavy loads and can be arranged in multiples
- Made to order

2 CHAPEL ROAD, PORTSLADE, BRIGHTON, BN41 1PF ENGLAND
Tel. +44(0) 1273 430977 Fax. +44 (0) 1273 430978
Web. www.vibtec.com E-mail. sales@vibtec.com



DIMENSIONS

MODEL	A mm	B mm	C mm	Max load Per trestle kgs	Beam Weight Less vibrator kgs	Total weight Less vibrator kgs
TR 12	1200	850	NIL	1500	140	220
TR 14	1400	850	100	1500	158	238
TR 16	1600	1000	125	1500	183	263
TR 18	1800	1100	175	1500	195	275