



---

## HIGH FREQUENCY ELECTRIC EXTERNAL VIBRATORS

---

### MODEL ITV

- Specially designed casing for high speed duty
- IP66 enclosure and Insulation Class F (155°C)
- Suitable for hazardous environments
- Ambient temperature from -20°C to +40°C
- With PTC rated thermistor heat detectors 130°C on size AF70
- Thermistors with different temperatures and anti-condensation heaters available on request on smaller sizes
- Fully adjustable eccentric weights, easily accessible

2 CHAPEL ROAD, PORTSLADE, BRIGHTON, BN41 1PF ENGLAND

Tel. +44(0) 1273 430977 Fax. +44 (0) 1273 430978

Web. [www.vibtec.com](http://www.vibtec.com) E-mail. [sales@vibtec.com](mailto:sales@vibtec.com)

### Foot Mounted ITV-VR Performance Data

Model	Frame Size	Speed RPM	Frequency Hz	Max. Force C/F		Weight kg	Max. Power kW	Max. Current A		Is/Ir
				kg	kN			42V	400V	
ITV-VR/1210-S08	AF33	0-6000	100	1569	15.4	24	1.2	21	2.3	4.48
ITV-VR/2010-S08	AF33	0-6000	100	2000	19.6	27	1.7	27	2.9	5.00
ITV-VR/2510	AF50	0-6000	100	2500	24.5	41	2.2	35	3.9	6.15
ITV-VR/2510-V*	AF50	4500-6000	100	2500	24.5	41	2.2	35	3.9	6.15
ITV-VR/3300*	AF68	4500-6000	100	3300	32.3	74	4.0	-	7.2	5.10
ITV-VR/5000-S02	AF70	0-4300	100	5300	52.0	105	5.0	-	8.0	5.30

\*Special ventilated type for heavy service

### Quick Release ITV-VR RS Performance Data

Model	Frame Size	Speed RPM	Frequency Hz	Max. Force C/F		Weight kg	Max. Power kW	Max. Current A		Is/Ir
				kg	kN			42V	400V	
ITV-VR/1210-RS-S08	AF33	0-6000	100	1569	15.4	21	1.2	21	2.3	4.48
ITV-VR/2010-RS-S08	AF33	0-6000	100	2000	19.6	24	1.7	27	2.9	5.00

### Foot Mounted ITVAF Performance Data

Model	Frame Size	Speed RPM	Frequency Hz	Max. Force C/F		Weight kg	Max. Power kW	Max. Current A		Is/Ir
				kg	kN			42V	250V	
ITVAF 6/600-S02	AF10	6000	200	610	5.98	8	0.5	9.5	1.6	4.50
ITVAF 6/1000-S02	AF30	6000	200	1022	9.70	18	1.0	20	3.3	6.06
ITVAF 6/1200-S02	AF30	6000	200	1200	11.3	18	1.0	20	3.3	6.06
ITVAF 6/1220-S08	AF33	6000	200	1095	10.7	23	1.2	23	3.85	6.04
ITVAF 6/1510-S08	AF33	6000	200	1484	14.6	25	1.7	29	4.9	7.10
ITVAF 9/1110-S08	AF33	9000	150	1230	12.0	22	1.15	18	-	8.52
ITVAF 9/1510-S08	AF33	9000	150	1484	14.6	24	1.6	24	4.0	10.4

### Quick Release ITVAF RS Performance Data

Model	Frame Size	Speed RPM	Frequency Hz	Max. Force C/F		Weight kg	Max. Power kW	Max. Current A		Is/Ir
				kg	kN			42V	250V	
ITVAF 6/600-RS-S02	AF10	6000	200	610	5.98	8	0.5	9.5	1.6	4.5
ITVAF 6/1000-RS-S02	AF30	6000	200	1022	9.70	18	1.0	20	3.3	6.06
ITVAF 6/1200-RS-S02	AF30	6000	200	1200	11.3	18	1.0	20	3.3	6.06
ITVAF 6/1220-RS-S08	AF33	6000	200	1095	10.7	21	1.2	23	3.85	6.04
ITVAF 6/1510-RS-S08	AF33	6000	200	1484	14.6	23	1.7	29	4.9	7.10
ITVAF 9/1110-RS-S08	AF33	9000	150	1230	12.0	20	1.15	18	-	8.52
ITVAF 9/1510-RS-S08	AF33	9000	150	1484	14.6	22	1.6	24	4.0	10.4

### Foot Mounted ITV-VR Dimensions

Model	Fig.	A	B	C	D	E	Holes		F	H	I	L	M	N
							G	No.						
ITV-VR/1210-S08	A	289	216.5	215	100	180	17	4	47	93.5	63	170	145	182
ITV-VR/2010-S08	A	375	216.5	215	100	180	17	4	47	93.5	106	170	145	182
ITV-VR/2510	A	430	230	230	140	190	17	4	49	104	87.5	186	180	200
ITV-VR/2510-V*	A	465	230	230	140	190	17	4	49	140	105	240	180	248
ITV-VR/3300*	A	528	267	310	155	255	23.5	4	122	115	147	265	215	275
ITV-VR/5000-S02	A	560	290	310	155	255	25	4	90	130	137	238	210	250

\*Special ventilated type for heavy service

### Quick Release ITV-VR RS Dimensions

Model	Fig.	A	B	C	D	E	Holes		F	H	I	L	M	N
							G	No.						
ITV-VR/1210-RS-S08	D	289	189	83	140	240	-	-	-	-	63	170	-	182
ITV-VR/2010-RS-S08	D	375	189	83	140	240	-	-	-	-	106	170	-	182

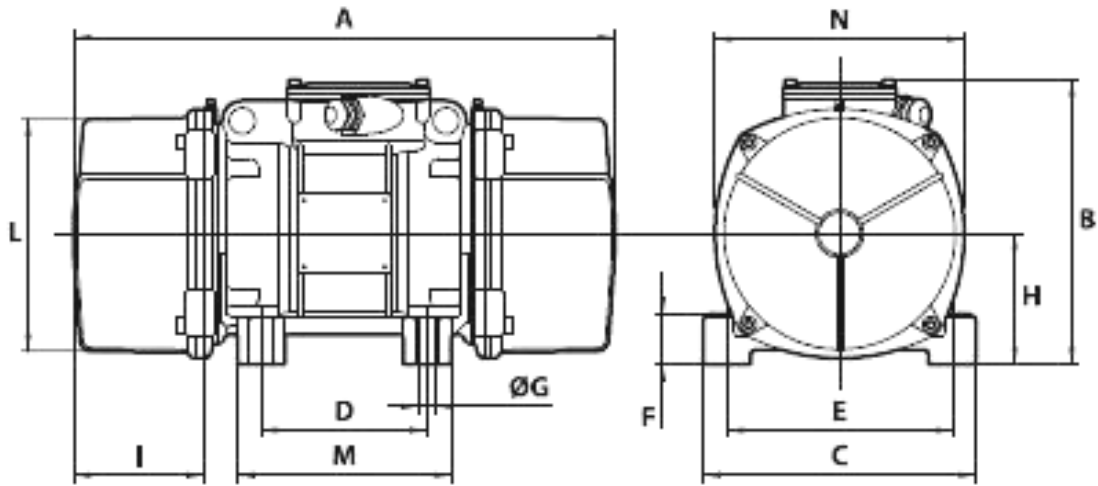
### Foot Mounted ITV-VR Dimensions

Model	Fig.	A	B	C	D	E	Holes		F	H	I	L	M	N
							G	No.						
ITVAF 6/600-S02	A	255	179	152	90	125	13	4	28	73	54	124	128	141
ITVAF 6/1000-S02	AH	310	186	190	90	154	13	4	100	73	54	124	125	141
ITVAF 6/1200-S02	AH	310	186	190	90	154	13	4	100	73	54	124	125	141
ITVAF 6/1220-S08	A	289	216.5	215	100	180	17	4	47	93.5	63	170	145	182
ITVAF 6/1510-S08	A	375	216.5	215	100	180	17	4	47	93.5	106	170	145	182
ITVAF 9/1110-S08	A	289	216.5	215	100	180	17	4	47	93.5	63	170	145	182
ITVAF 9/1510-S08	A	375	216.5	215	100	180	17	4	47	93.5	106	170	145	182

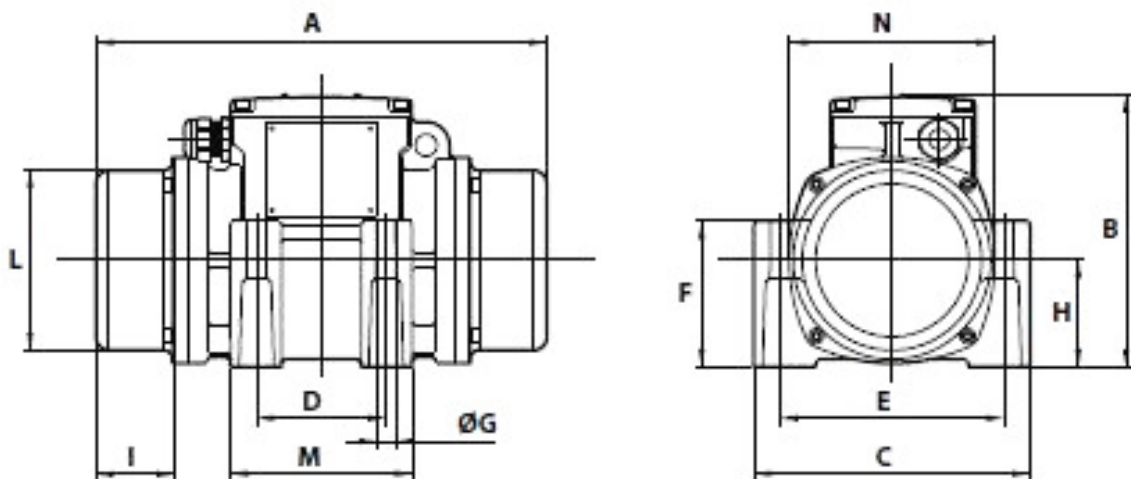
### Quick Release ITVAF RS Dimensions

Model	Fig.	A	B	C	D	E	Holes		F	H	I	L	M	N
							G	No.						
ITVAF 6/600-RS-S02	D	255	140	97	97	180	-	-	-	-	54	124	-	141
ITVAF 6/1000-RS-S02	D	310	189	83	140	240	-	-	-	-	54	124	-	141
ITVAF 6/1200-RS-S02	D	310	189	83	140	240	-	-	-	-	54	124	-	141
ITVAF 6/1220-RS-S08	D	289	189	83	140	240	-	-	-	-	63	170	-	182
ITVAF 6/1510-RS-S08	D	375	189	83	140	240	-	-	-	-	106	170	-	182
ITVAF 9/1110-RS-S08	D	289	189	83	140	240	-	-	-	-	63	170	-	182
ITVAF 9/1510-RS-S08	D	375	189	83	140	240	-	-	-	-	106	170	-	182

**Foot Mounted  
Fig. A**



**Foot Mounted  
Fig. AH**



**Quick Release  
Fig. D**

