

## **VIBRATING TABLES**

### **MODELS FTT and TCT**

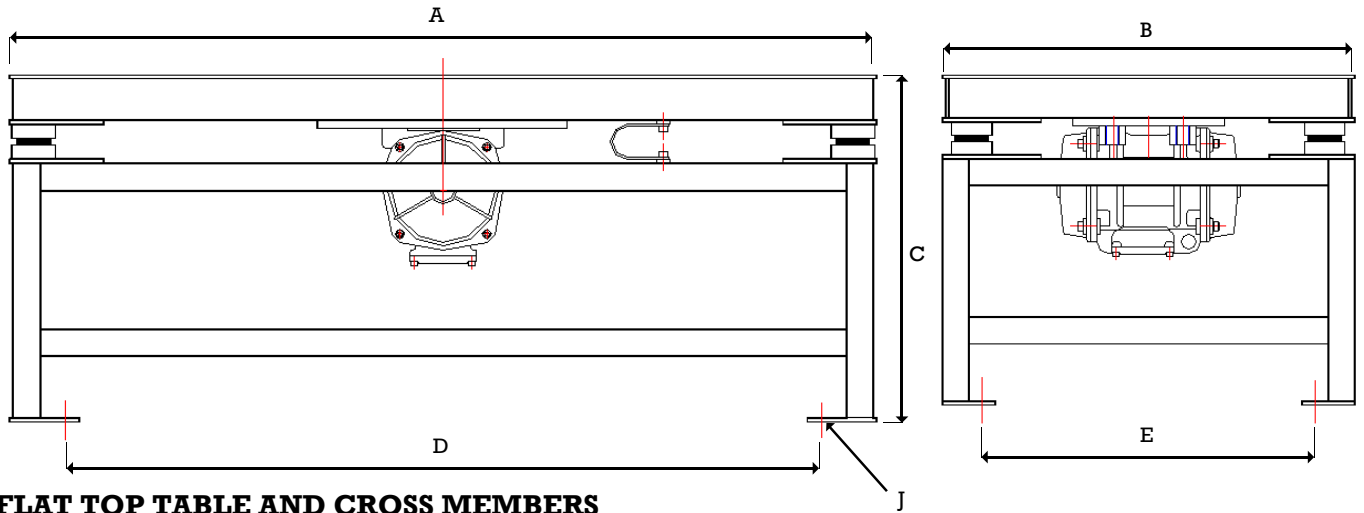
- Flat top tables and Test cube tables available
- Variety of sizes to choose from
- Vibration is provided by electric or pneumatic external vibrators
- Anti Vibration mountings are incorporated in all models
- Performance characteristics can be selected to meet most applications

2 CHAPEL ROAD, PORTSLADE, BRIGHTON, BN41 1PF ENGLAND

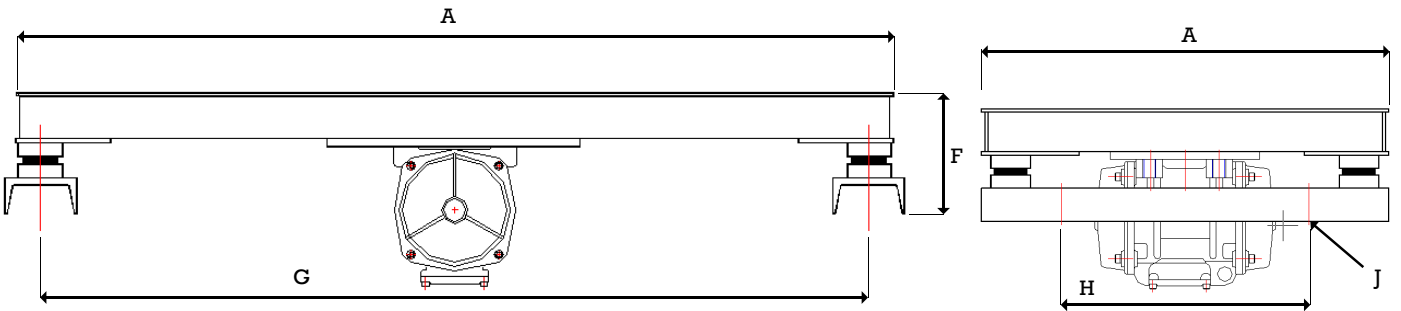
Tel. +44(0) 1273 430977 Fax. +44 (0) 1273 430978

Web. [www.vibtec.com](http://www.vibtec.com) E-mail. [sales@vibtec.com](mailto:sales@vibtec.com)

**FLAT TOP TABLE AND STAND**

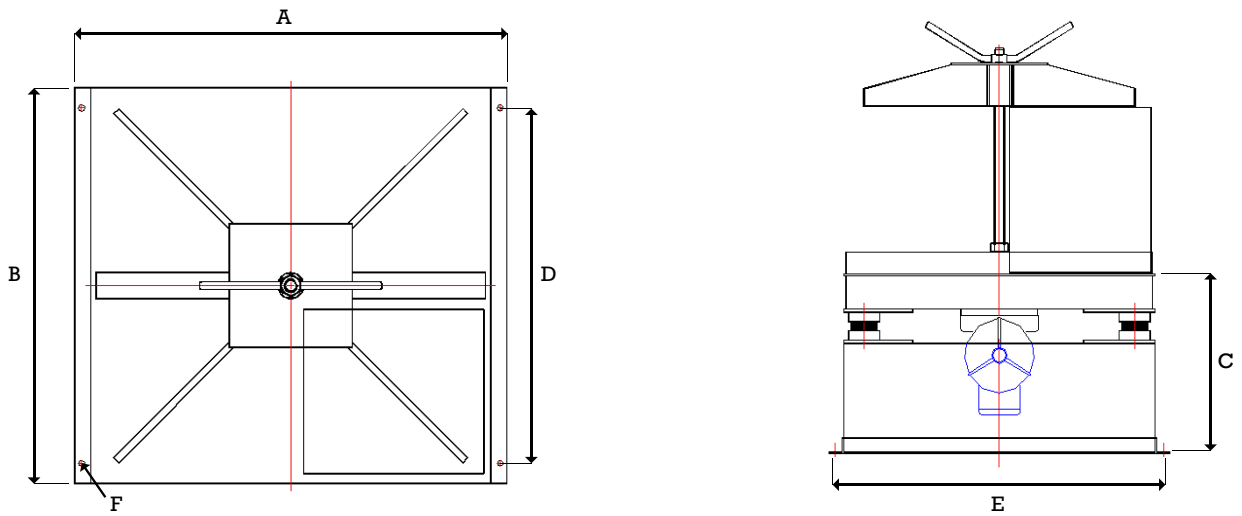


**FLAT TOP TABLE AND CROSS MEMBERS**



MODEL	WGHT OF TABLE TOP (kgs)	A	B	STAND			CROSS MEMBERS			J
				C	D	E	F	G	H	
FTT 300 x 300	6	300	300	260	240	330	N/a	N/a	N/a	13
FTT 600 x 600	30	600	600	500	440	480	172	530	330	13
FTT 1250 x 625	71	1250	625	500	1090	505	172	1180	380	13
FTT 1500 x 900	145	1500	900	500	1340	780	214	1430	1230	13
FTT 2000 x 1000	190	2000	1000	500	1840	880	214	1930	1730	13

**TEST CUBE TABLES**



MODEL	NO. OF MOULDS	A	B	C	D	E	F
TCT 610 x 305	2	610	305	326	250	645	10
TCT 610 x 610	4	610	610	326	548	645	10

NOTE: The FTT 1250 x 625 table is available with clamping arrangements incorporating a diagonal beam or two parallel beams for use with cube mounts