



---

## UNBALANCED EXCITERS

---

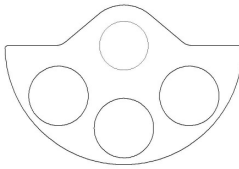
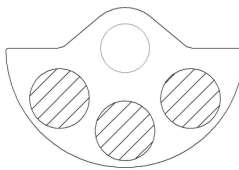
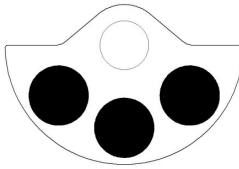
### MODEL VU

- 11 models in range
- Force adjustment with steel and lead insertions
- Geared continuous synchronisation and linear force output, even under peak impact loads
- Oil splash/spray lubricated gears and bearings
- V-belt or cardan shaft drive input
- Suitable for overhead or underslung drive
- Exciters can be end linked for larger machine applications
- Ambient temperature from  $-40^{\circ}\text{C}$  to  $+70^{\circ}\text{C}$

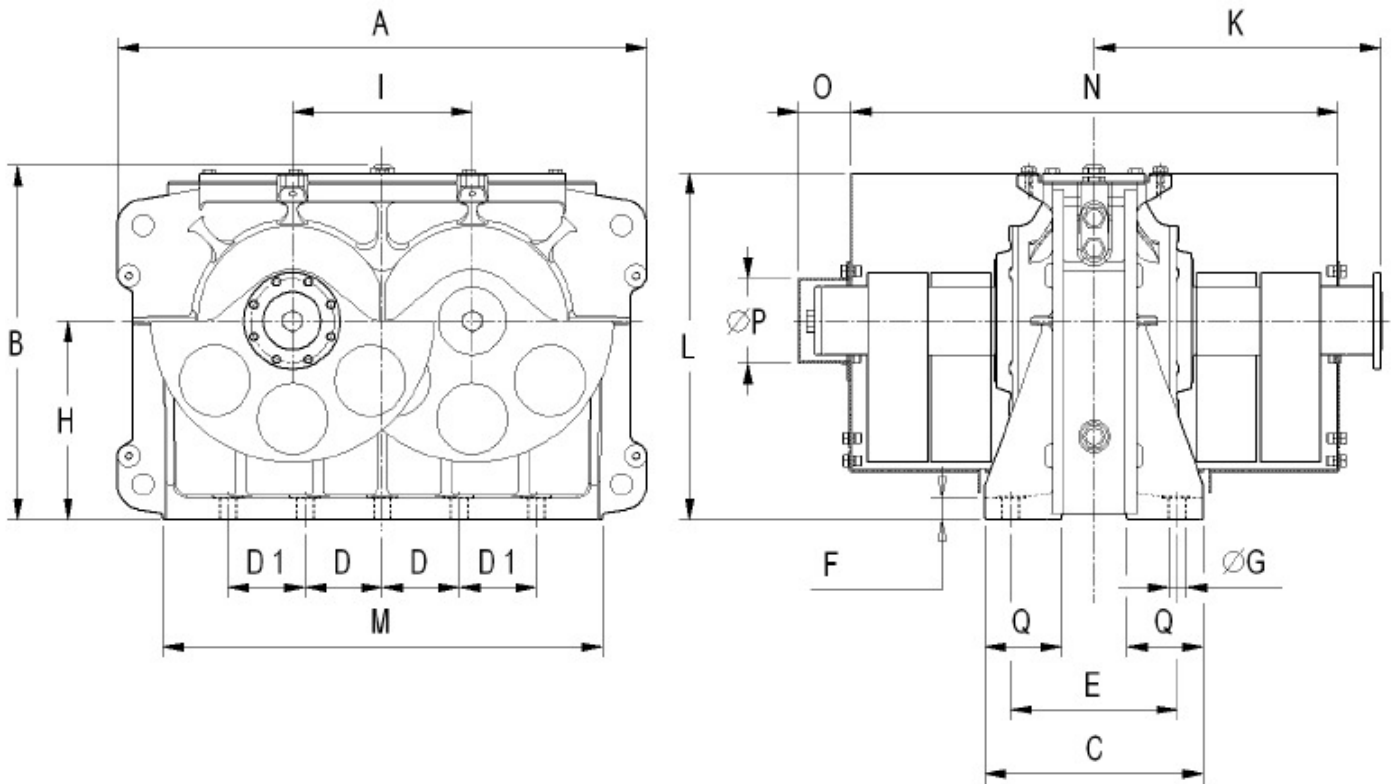
2 CHAPEL ROAD, PORTSLADE, BRIGHTON, BN41 1PF ENGLAND  
Tel. +44(0) 1273 430977 Fax. +44 (0) 1273 430978

Web. [www.vibtec.com](http://www.vibtec.com) E-mail. [sales@vibtec.com](mailto:sales@vibtec.com)

**PERFORMANCE DATA**

Model	Weight Configuration	Static Moment Kgmm	RPM max.	Max. C/F kg	Power kW	Bearing Lifetime h	Weight kg
VU 8000/6		4129	1500 1468	10328 9951	5.5	34000 40000	298
VU 10000/6		4294	1500 1443	10800 10000	5.5	29800 40000	301
VU 14000/6		7642	1316	14816	7.5	40000	430
VU 16000/6		7963	1293	14897	7.5	40000	433
VU 18000/6		8225	1500 1435	20694 18932	11	32700 46000	563
VU 23000/6		10410	1500 1410	26178 23147	15	28700 46000	631
VU 27000/8		12065	1200 1115	19413 16762	11	50600 88850	629
VU 33000/6		17650	1220 1200	29383 28412	18.5	40000 45500	895
VU 38000/6		20448	1200 1153	32900 30363	18.5	29400 40000	949
VU 42000/8		20060	1200 1087	32290 26481	18.5	29700 63540	949
VU 74000/8		43580	1000 940	48756 43132	30	25000 40000	1520
VU 8000/6			7147	1157	10689	5.5	40000
VU 10000/6	8400		1078	10917	5.5	40000	343
VU 14000/6	12417		1066	15784	7.5	40000	475
VU 16000/6	13943		1014	16018	7.5	40000	490
VU 18000/6	15545		1075	20105	11	50220	628
VU 23000/6	19700		1069	25155	15	46000	713
VU 27000/8	22875		810	16762	11	122340	724
VU 33000/6	28775		987	31317	18.5	40000	977
VU 38000/6	33384		931	32367	18.5	40000	1044
VU 42000/8	36298		808	26481	18.5	85470	1072
VU 74000/8	65600		788	45495	30	40000	1655
VU 8000/6			8062	1098 1000	10858 9005	5.5	40000 82000
VU 10000/6		9693	1000	10837	5.5	44200	357
VU 14000/6		13955	1000	15586	7.5	46500	490
VU 16000/6		15950	956	16299	7.5	40000	509
VU 18000/6		17980	1000	20105	11	54000	649
VU 23000/6		22885	1000	25650	15	46000	741
VU 27000/8		26635	750	16762	11	132000	758
VU 33000/6		32583	1000 935	36404 31826	18.5	23900 40000	1005
VU 38000/6		37881	900 882	34330 32905	18.5	34000 40000	1078
VU 42000/8		42060	750	26481	18.5	92000	1116
VU 74000/8		73440	750	46170	30	40000	1703

○ Without Additional Weight    ◐ Steel Additional Weight    ● Lead Additional Weight    Other weight configurations also available



**DIMENSIONS**

Model	A	B	C	D	D1	E	ØG	No.	F	H	I	K	L	M	N	O	ØP	Q	
VU 8000/6	700	454	260	1x455	-	156	32	4	30	240	232	330.5	442.5	575	555	69.5	97	95	
VU 10000/6												331.5							
VU 14000/6	760	509	270	1x280	2x120	200	28	8	30	280	256	389	497.5	640	670	69.5	107	87	
VU 16000/6																			
VU 18000/6	825	551.5	340	4x120	-	260	26	10	35	310	280	407	540.5	685	760	80.5	133	119	
VU 23000/6												446							
VU 27000/8												476							
VU 33000/6	925	629	380	5x120	-	300	32	12	35	350	320	476.5	618	770	815	885	83	143	128.5
VU 38000/6												510.5							
VU 42000/8												524.5							
VU 74000/8	1070	708	470	4x120	2x150	390		14		390	370	592	698.5	920	1045	85	161	150	

Alternative fixing holes patterns available on request.