

HYDRAULIC EXTERNAL VIBRATORS

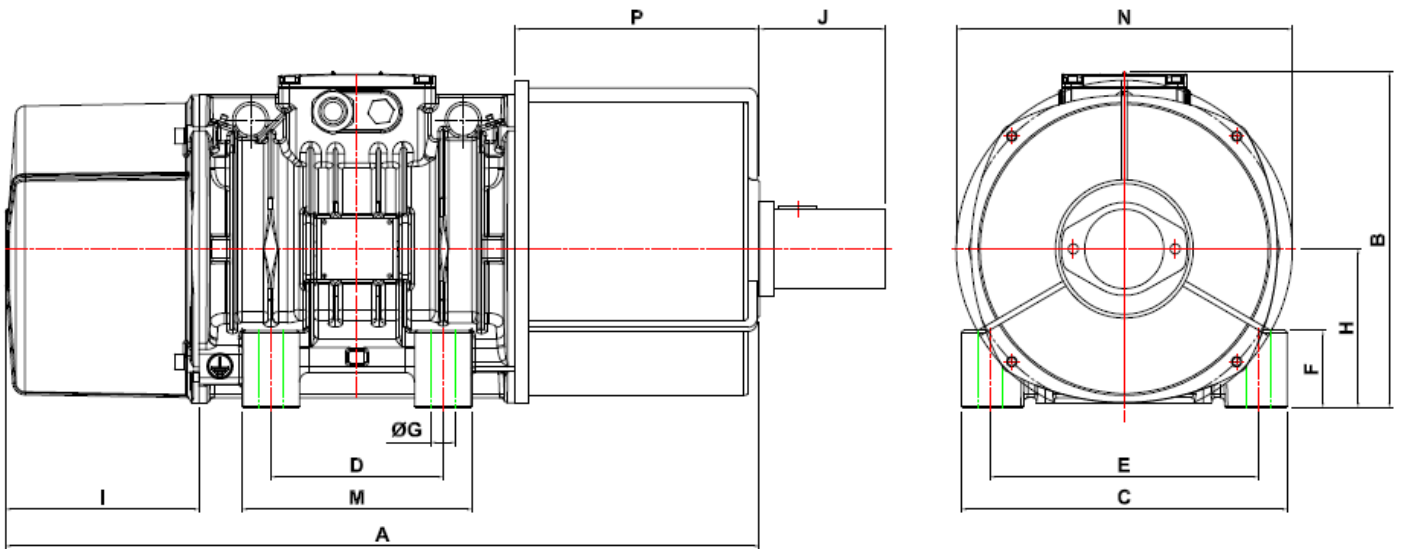
MODEL VHE 10

- Rotary Vibrator
- Interchangeable with VIBTEC Electric Vibrators
- Simple Installation
- Long Life Bearings
- Quiet Operation
- Variable Force Adjustment

2 CHAPEL ROAD, PORTSLADE, BRIGHTON, BN41 1PF ENGLAND
Tel. +44(0) 1273 430977 Fax. +44 (0) 1273 430978
Web. www.vibtec.com E-mail. sales@vibtec.com

PERFORMANCE DATA

MODEL	Frame Size	Speed RPM	C/Force Kgs	Static Moment Kg/mm	Starting Torque Kg/mm	Hydraulic Pressure Bar	Hydraulic Flow L/min	Hydraulic Displacement cc/rev	Weight Kgs
VHE 10/1110	50	1000	1132	1012	1113	40	13	12.9	58
VHE 10/2100	60	1000	2154	1927	2119	110	13	12.9	93
VHE 10/3000	70	1000	3007	2690	2959	125	38	36	145
VHE 10/3810	80	1000	3826	3422	3764	70	38	36	188



DIMENSIONS

MODEL	A	B	C	D	E	F	G		H	I	J	M	N	P
							Dia.	No.						
VHE 10/1110	601.5	246	230	140	190	54	17	4	116	171	115	190	225	198.5
VHE 10/2100	694	272	275	155	225	70	22	4	130	177	115	210	253	231
VHE 10/3000	738.5	321	310	155	255	77	23.5	4	157	201	115	215	295	227.5
VHE 10/3810	787	347	340	180	280	80	26	4	165	202	135	240	320	255