



ELECTRIC EXTERNAL VIBRATORS

MODEL MVSI

- Rotary Vibration
- Protection IP66, IK 08 shock-resistance level
- Insulation Class F (155°C), class H (180°C) on request
- Tropicalized winding
- Large Terminal Connections
- 24V to 690V available
- Ambient temperature from -20°C to +40°C
- Airborne noise measured in free field $\leq 70\text{dB(A)}$
- ATEX rated zones 21 & 22 as standard

2 CHAPEL ROAD, PORTSLADE, BRIGHTON, BN41 1PF ENGLAND

Tel. +44(0) 1273 430977 Fax. +44 (0) 1273 430978

Web. www.vibtec.com E-mail. sales@vibtec.com

ELECTRIC EXTERNAL VIBRATORS
2 POLES 3000 RPM
MVSI



MODEL	Category	Frame Size	C/ Force Kgs	Power (w)	Curr (A)	Fig.	A	B	C	D	E	F	G		H	I	L	M	N	Cable Entry thread X 1.5	Weight Kgs
													Dia.	No.							
MVSI 3/100-S02	380/415v 3Ph 50Hz	00	121	180	0.35	A	211	153	125	62-74	106	24	9	4	61	46	103	100	117	M20	5.60
MVSI 3/200-S02		01	211	180	0.35	A	235	153	125	62-74	106	24	9	4	61	58	103	100	117	M20	6.40
MVSI 3/300-S02		10	304	260	0.60	A	255	179	152	90	125	28	28	13	73	54	127	128	141	M20	9.70
MVSI 3/500-S02		20	503	450	0.80	A	288	203	167	105	140	30	30	13	82.5	65	145	140	160	M25	14.8
MVSI 3/700-S02		20	734	450	0.80	A	288	203	167	105	140	30	30	13	82.5	65	145	140	160	M25	15.1
MVSI 3/800-S02		30	785	650	1.10	A	308	216	205	120	170	45	45	17	93.5	63	170	160	182	M25	21.0
MVSI 3/1100-S02		35	1105	1000	1.75	A	435	225	205	120	170	54	54	17	104.5	117.5	187	162	203	M25	23.0
MVSI 3/1300-S08		AF33	1290	1300	2.10	A	375	216.5	215	100	180	47	47	17	93.5	106	170	145	182	M25	27.0
MVSI 3/1500-S08		AF33	1470	1300	2.10	A	375	216.5	215	100	180	47	47	17	93.5	106	170	145	182	M25	25.3
MVSI 3/1600-S02		50	1545	1400	2.30	A	430	246	230	140	190	54	54	17	116	99	207	190	225	M25	33.0
MVSI 3/1800-S02		50	1802	2000	3.30	A	430	246	230	140	190	54	54	17	116	99	207	190	225	M25	34.0
MVSI 3/2010-S90		AF50	2059	2200	3.50	A	465	230	230	140	190	49	49	17	104	105	186	180	200	M25	48.7
MVSI 3/2310-S90		AF50	2316	2200	3.50	A	465	230	230	140	190	49	49	17	104	105	186	180	200	M25	49.6
MVSI 3/3200-S02		AF70	3457	4000	6.50	A	560	290	310	155	255	90	90	25	130	137	238	210	253	M25	94.0
MVSI 3/4000-S02		AF70	3890	4000	6.50	A	560	290	310	155	255	90	90	25	130	137	238	210	253	M25	96.0
MVSI 3/5000-S02	AF70	5187	5000	7.60	A	560	290	310	155	255	90	90	25	130	137	238	210	253	M25	109	
MVSI 3/6510-S02	90	6357	5500	9.20	A	680	370	390	200	320	90	90	28	180	160	330	270	350	M32	184	
MVSI 3/9000-S90	95	9007	10000	18.0	A	629	395	392	200	320	100	100	28	192	135	355	270	375	M32	215	
MVSI 3/100-S02	220/240v 1Ph 50Hz	00	121	165	0.75	A	211	153	125	62-74	106	24	9	4	61	46	103	100	117	M20	5.60
MVSI 3/200-S02		01	211	165	0.75	A	235	153	125	62-74	106	24	24	9	61	58	103	100	117	M20	6.40
MVSI 3/300-S02		10	304	280	1.25	A	255	179	152	90	125	28	28	13	73	54	127	128	141	M20	9.70
MVSI 3/500-S02		20	503	500	2.30	A	288	203	167	105	140	30	30	13	82.5	65	145	140	160	M25	14.8
MVSI 3/700-S02		20	734	500	2.30	A	288	203	167	105	140	30	30	13	82.5	65	145	140	160	M25	15.1
MVSI 3/800-S02		30	785	700	3.25	A	307	210	205	120	170	45	45	17	91.5	51	168	160	178	M25	16.8

ELECTRIC EXTERNAL VIBRATORS 4 POLES 1500 RPM MVSI



MODEL	Category	Frame Size	C/ Force Kgs	Power (w)	Curr (A)	Fig.	A	B	C	D	E	F	G		H	I	L	M	N	Cable Entry thread X 1.5	Weight Kgs
													Dia.	No.							
MVSI 15/35-S02		00	30.2	85	0.21	A	211	153	125	62-74	106	24	9	4	61	46	103	100	117	M20	5.60
MVSI 15/80-S02		01	77.9	85	0.21	A	235	153	125	62-74	106	24	9	4	61	58	103	100	117	M20	6.70
MVSI 15/100-S02		01	97.9	85	0.21	A	249	153	125	62-74	106	24	9	4	61	65	103	100	117	M20	7.10
MVSI 15/200-S02		10	213	170	0.41	A	301	179	162	90	125	28	13	4	73	77	127	128	141	M20	12.5
MVSI 15/400-S02		20	412	300	0.60	A	344	203	167	105	140	30	13	4	82.5	93	145	140	160	M25	19.0
MVSI 15/550-S02		20	552	300	0.60	A	386	203	167	105	140	30	13	4	82.5	114	145	140	160	M25	20.4
MVSI 15/700-S02		30	720	525	0.92	A	394	216	205	120	170	45	17	4	93.5	106	170	160	182	M25	27.5
MVSI 15/900-S02		30	900	525	0.92	A	394	216	205	120	170	45	17	4	93.5	106	170	160	182	M25	30.0
MVSI 15/1110-S02		35	1045	550	0.95	A	435	225	205	120	170	54	17	4	104.5	117.5	187	162	203	M25	35.0
MVSI 15/1410-S02		40	1413	900	1.45	A	448	246	230	140	190	54	17	4	116	108	207	190	225	M25	44.0
MVSI 15/1710-S02		50	1798	1100	2.00	A	500	246	230	140	190	54	17	4	116	134	207	190	225	M25	51.0
MVSI 15/2000-S02		50	2054	1350	2.50	A	574	246	230	140	190	54	17	4	116	171	207	180	225	M25	55.5
MVSI 15/2410-S08	380/415v 3Ph 50Hz	60	2420	1600	3.20	A	537	272	275	155	225	70	22	4	130	137	238	210	253	M25	71.0
MVSI 15/3000-S08		60	3106	1900	3.80	A	617	272	275	155	225	70	22	4	130	177	238	210	253	M25	80.0
MVSI 15/3810-S02		70	3840	2200	3.90	A	584	321	310	155	255	77	23.5	4	157	137	277	215	295	M25	119
MVSI 15/4300-S02		70	4326	2500	4.80	A	666	321	310	155	255	77	23.5	4	157	178	277	215	295	M25	123
MVSI 15/6010-S02		80	5007	3600	6.00	A	630	347	340	180	280	80	26	4	165	150	303	240	320	M32	161
MVSI 15/6000-S02		80	5654	3600	6.00	A	630	347	340	180	280	80	26	4	165	150	303	240	320	M32	163.5
MVSI 15/7000-S02		90	6536	6000	10.5	A	680	370	390	200	320	90	28	4	180	160	330	270	350	M32	208
MVSI 15/9000-S90		95	8199	7000	11.6	A	629	395	392	200	320	100	28	4	192	134.5	355	270	375	M32	225
MVSI 15/9500-S02		97	8416	7500	12.2	C	862	437	460	125	380	35	39	6	215	230	387	320	414	M32	317
MVSI 15/11500-S90		100	11430	10000	17.5	C	990	454	530	140	440	38	45	6	230	240	423	370	448	M32	433
MVSI 15/14500-S90		110	14120	11000	20.0	C	990	454	530	140	440	38	45	6	230	240	423	370	448	M32	458
MVSI 15/35-S02		00	30.2	90	0.43	A	211	153	125	62-74	106	24	9	4	61	46	103	100	117	M20	5.60
MVSI 15/80-S02		01	77.9	90	0.43	A	235	153	125	62-74	106	24	9	4	61	58	103	100	117	M20	6.70
MVSI 15/100-S02		01	97.9	90	0.43	A	249	153	125	62-74	106	24	9	4	61	65	103	100	117	M20	7.10
MVSI 15/200-S02		10	213	210	1.00	A	301	179	152	90	125	28	13	4	73	77	127	128	141	M20	12.5
MVSI 15/400-S02		20	412	240	1.20	A	344	203	167	105	140	30	13	4	82.5	93	145	140	160	M25	19.0
MVSI 15/550-S02		20	552	240	1.20	A	386	203	167	105	140	30	13	4	82.5	114	145	140	160	M25	20.4
MVSI 15/700-S02		30	720	450	2.15	A	381	210	205	120	170	45	17	4	91.5	88	168	160	178	M25	27.5

ELECTRIC EXTERNAL VIBRATORS 6 POLES 1000 RPM MVSI



MODEL	Category	Frame Size	C/Force Kgs	Power (w)	Curr (A)	Fig.	A	B	C	D	E	F	G		H	I	L	M	N	Cable Entry thread X 1.5	Weight Kgs
													Dia.	No.							
MVSI 10/40-S02		10	35.0	120	0.30	A	285	179	182	90	125	28	13	4	73	54	127	128	141	M20	9.70
MVSI 10/100-S02		10	94.3	120	0.30	A	301	179	152	90	125	28	13	4	73	77	127	128	141	M20	12.5
MVSI 10/200-S02		20	183	188	0.50	A	344	203	167	105	140	30	13	4	82.5	93	145	140	160	M25	19.0
MVSI 10/310-S02		30	321	350	0.72	A	394	216	205	120	170	45	17	4	93.5	106	170	160	182	M25	27.5
MVSI 10/550-S02		35	612	350	0.75	A	435	225	205	120	170	54	17	4	104.5	117.5	187	162	203	M25	36.5
MVSI 10/650-S02		35	680	350	0.75	A	480	225	205	120	170	54	17	4	104.5	140	187	162	203	M25	41.0
MVSI 10/810-S08		40	809	680	1.40	A	500	246	230	140	190	54	17	4	116	134	207	190	225	M25	48.0
MVSI 10/1110-S08		50	1132	750	1.65	A	574	246	230	140	190	54	17	4	116	171	207	190	225	M25	58.0
MVSI 10/1400-S08		50	1424	950	1.80	A	574	246	230	140	190	54	17	4	116	171	207	190	225	M25	66.0
MVSI 10/1610-S08		60	1638	1100	2.20	A	617	272	275	155	225	70	22	4	130	177	238	210	253	M25	83.0
MVSI 10/2100-S08		60	2154	1500	3.00	A	617	272	275	155	225	70	22	4	130	177	238	210	253	M25	93.0
MVSI 10/2610-S02	380/415v 3Ph 50 Hz	70	2601	1960	4.10	A	666	321	310	155	255	77	23.5	4	157	178	277	215	295	M25	130.0
MVSI 10/3000-S02		70	3007	2200	4.50	A	712	321	310	155	255	77	23.5	4	157	201	277	215	295	M25	145.0
MVSI 10/3810-S02		80	3826	2800	5.10	A	734	347	340	180	280	80	26	4	165	202	303	240	320	M32	198.0
MVSI 10/4700-S02		80	4701	3200	6.50	A	796	347	340	180	280	80	26	4	165	233	303	240	320	M32	204.0
MVSI 10/5150-S02		80	5230	3200	6.50	A	826	347	340	180	280	80	26	4	165	248	303	240	320	M32	225
MVSI 10/5200-S02		90	5208	3800	7.00	A	744	370	390	200	320	90	28	4	180	192	330	270	350	M32	238.0
MVSI 10/5700-S02		90	5650	3800	7.00	A	840	370	390	200	320	90	28	4	180	240	330	270	350	M32	240
MVSI 10/6500-S02		90	6527	4300	8.20	A	840	370	390	200	320	90	28	4	180	240	330	270	350	M32	288.0
MVSI 10/6600-S02		97	6799	5000	10.0	C	750	437	460	125	380	35	39	6	215	174	387	320	414	M32	285.0
MVSI 10/7000-S02		90	7013	4300	8.20	A	840	370	390	200	320	90	28	4	180	240	330	270	350	M32	275.0
MVSI 10/8000-S90		95	8046	7000	12.6	A	870	395	392	200	320	100	28	4	192	255	355	270	375	M32	315.0
MVSI 10/9000-S90		95	8666	7500	14.0	A	870	395	392	200	320	100	28	4	192	255	355	270	375	M32	326.0
MVSI 10/10000-S02		97	9695	7600	13.5	C	862	437	460	125	380	35	39	6	215	230	387	320	414	M32	351.0
MVSI 10/11200-S02		97	11160	7600	13.5	C	912	437	460	125	380	35	39	6	215	255	387	320	414	M32	405.0
MVSI 10/12000-S90		100	12294	9000	16.3	C	990	454	530	140	440	38	45	6	230	240	423	370	448	M32	500.0
MVSI 10/13000-S02		97	12867	9600	17.0	C	1002	437	460	125	380	35	39	6	215	300	387	320	414	M32	460.0
MVSI 10/15000-S02		105	14155	10600	19.0	F	960	526	570	140	480	41	45	8	268	200	486	510	516	M32	643.0
MVSI 10/17500-S02		105	17327	13000	24.5	F	1040	526	570	140	480	41	45	8	268	240	486	510	516	M32	705.0
MVSI 10/19500-S02		105	20062	14000	25.5	F	1120	526	570	140	480	41	45	8	268	280	486	510	516	M32	711.0
MVSI 10/22000-S90		110	22386	19000	33.0	F	1150	607	610	140	520	38	45	8	297	297.5	542	510	582	M32	926.0
MVSI 10/25000-S90		110	25000	19000	33.0	F	1150	607	610	140	520	38	45	8	297	297.5	542	510	582	M32	960.0
MVSI 10/30000-S02		120	30560	24000	40.0	Q	1205	648	700	140	600	45	45	8	320	310	600	510	660	M32	1200

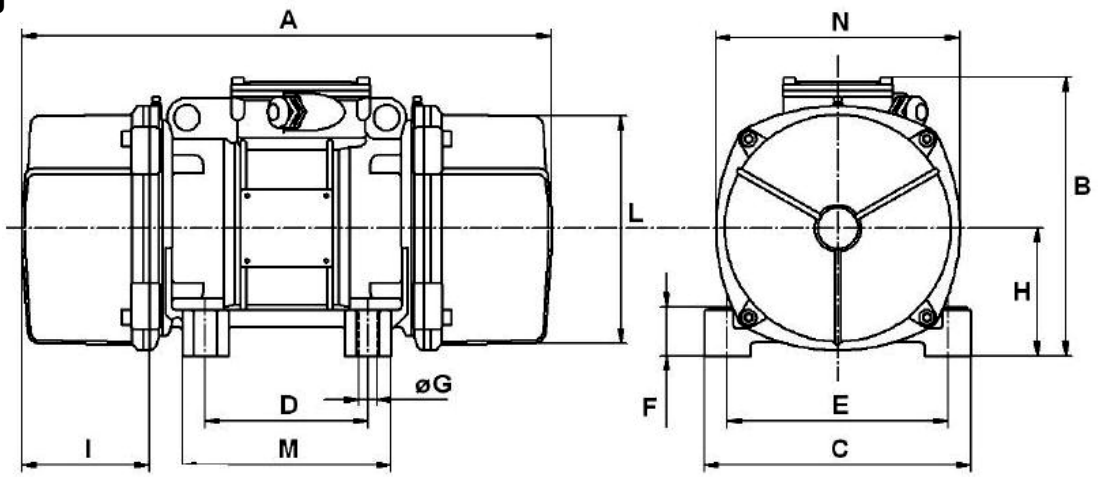
ELECTRIC EXTERNAL VIBRATORS 8 POLES 750 RPM MVSI



MODEL	Category	Frame Size	C/ Force Kgs	Power (w)	Curr (A)	Fig.	A	B	C	D	E	F	G		H	I	L	M	N	Cable Entry thread X 1.5	Weight Kgs	
													Dia.	No.								
MVSI 075/150-S02	380/415V 3Ph 50Hz	20	104	230	0.85	A	344	203	167	105	140	30	13	4	82.5	93	145	140	160	M25	19.0	
MVSI 075/250-S02		30	181	350	1.10	A	394	216	205	120	170	45	17	4	93.5	106	170	160	182	M25	27.5	
MVSI 075/400-S02		35	288	280	0.60	A	435	225	205	120	170	54	17	4	104.5	117.5	187	162	203	M25	36.5	
MVSI 075/530-S02		35	365	280	0.60	A	480	225	205	120	170	54	17	4	104.5	140	187	162	203	M25	41.0	
MVSI 075/660-S08		40	456	400	1.20	A	500	246	230	140	190	54	17	4	116	134	207	190	225	M25	48.0	
MVSI 075/910-S08		50	637	400	1.40	A	574	246	230	140	190	54	17	4	116	171	207	190	225	M25	58.0	
MVSI 075/1310-S08		60	922	950	2.20	A	617	272	275	155	155	225	70	22	4	130	177	238	210	253	M25	83.0
MVSI 075/1750-S08		60	1214	1100	2.60	A	617	272	275	155	155	225	70	22	4	130	177	238	210	253	M25	93.0
MVSI 075/2110-S02		70	1463	1500	4.10	A	666	321	310	155	155	255	77	23.5	4	157	178	277	215	295	M25	130.0
MVSI 075/3110-S02		80	2152	2000	5.40	A	734	347	340	180	180	280	80	26	4	165	202	303	240	320	M32	188.0
MVSI 075/3800-S02		80	2645	2500	6.00	A	796	347	340	180	180	280	80	26	4	165	233	303	240	320	M32	204.0
MVSI 075/4200-S02		90	2990	2800	6.50	A	744	370	390	200	200	320	90	28	4	180	192	330	270	350	M32	238.0
MVSI 075/5300-S02		90	3672	4000	8.20	A	840	370	390	200	200	320	90	28	4	180	240	330	270	350	M32	268.0
MVSI 075/6500-S90		95	4526	4900	9.90	A	870	395	392	200	200	320	100	28	4	192	255	355	270	375	M32	315.0
MVSI 075/6800-S02		97	4616	5600	10.5	C	862	437	460	125	125	380	35	39	6	215	230	387	320	414	M32	330.0
MVSI 075/10000-S02		97	7792	6800	13.2	C	1002	437	460	125	125	380	35	39	6	215	300	387	320	414	M32	438.0
MVSI 075/12000-S90		100	8689	7600	14.0	C	1070	454	530	140	140	440	38	45	6	230	280	423	370	448	M32	540.0
MVSI 075/14000-S02		105	11285	9200	21.0	F	1040	526	570	140	140	480	41	45	8	268	240	486	510	516	M32	702.0
MVSI 075/17000-S02		105	13418	10400	22.0	F	1120	526	570	140	140	480	41	45	8	268	280	486	510	516	M32	755.0
MVSI 075/22000-S90		110	18005	12500	26.5	F	1150	607	610	140	140	520	38	45	8	297	297.5	542	510	582	M32	1015.0
MVSI 075/30000-S02		120	21070	-	-	Q	1205	648	700	140	140	600	45	45	8	320	310	600	510	660	M32	1125.0

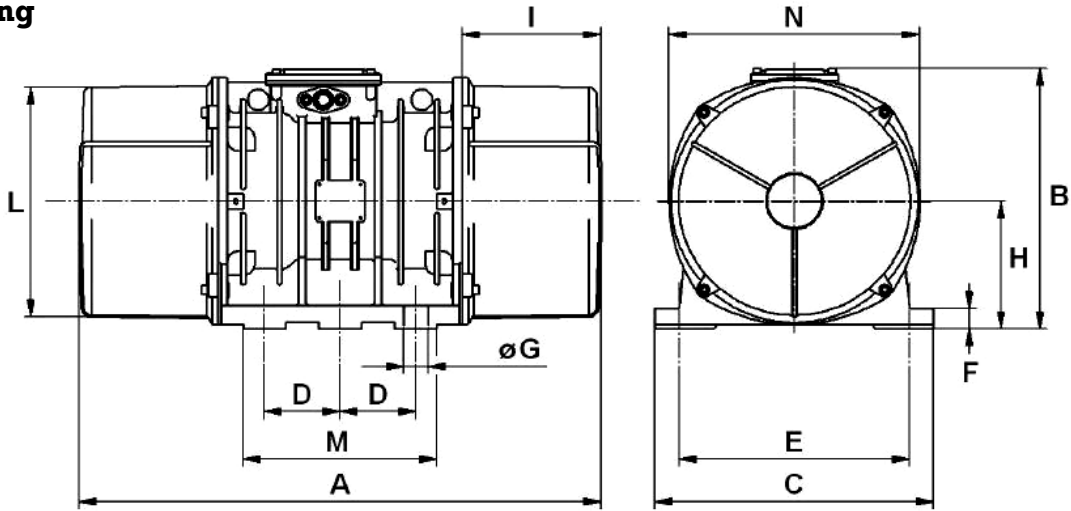
4 Hole Mounting

Fig. A



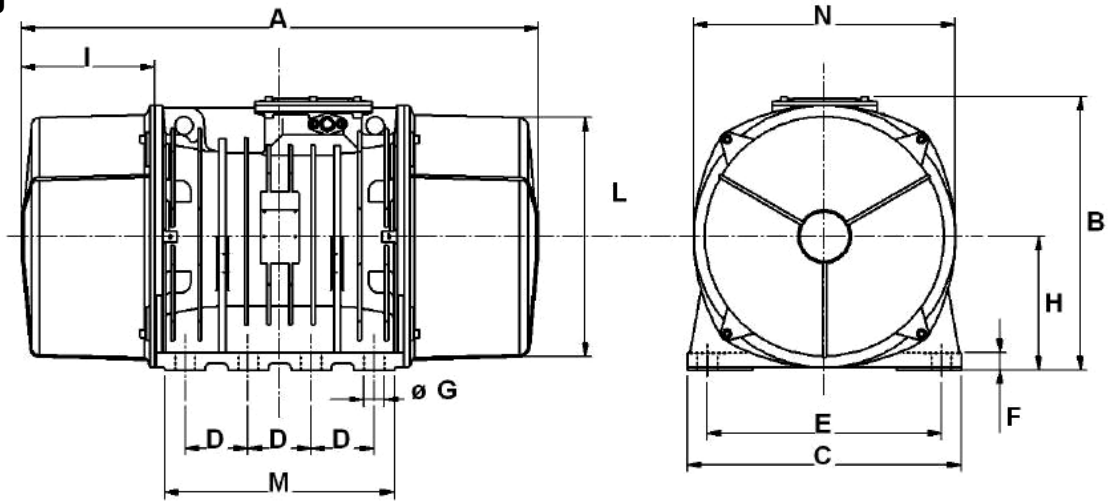
6 Hole Mounting

Fig. C



8 Hole Mounting

Fig. F



8 Hole Mounting with Split Covers

Fig. Q

