

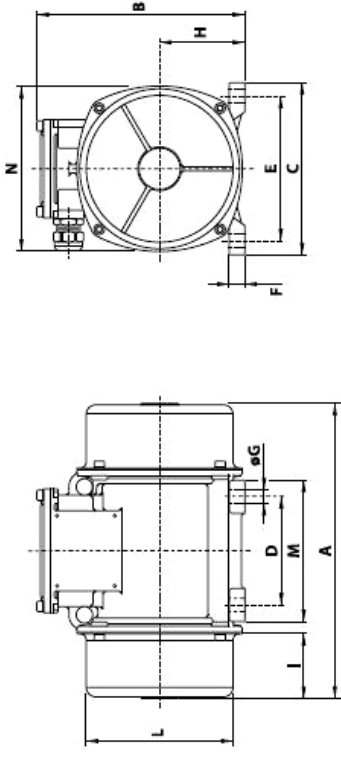
ELECTRIC EXTERNAL VIBRATORS - STAINLESS STEEL

MODEL MVSS

- Stainless Steel Body
- Insulation Class F (155°C)
- Protection IP66
- 24V to 690V available
- Ambient Temperature from -20° to +40°C
- Atex rated as standard, zones 21, 22

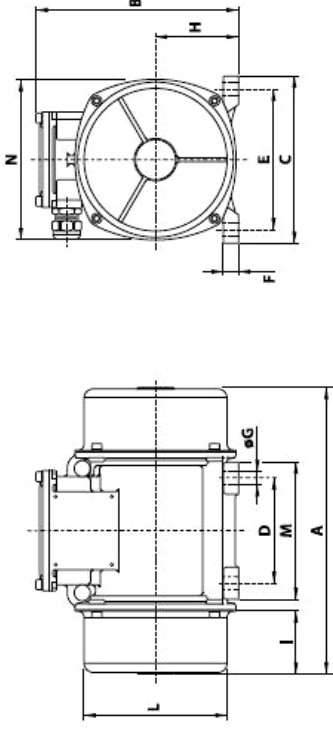
2 CHAPEL ROAD, PORTSLADE, BRIGHTON, BN41 1PF ENGLAND
Tel. +44(0) 1273 430977 Fax. +44 (0) 1273 430978
Web. www.vibtec.com E-mail. sales@vibtec.com

STAINLESS STEEL ELECTRIC EXTERNAL VIBRATORS 2 POLES 3000 RPM MVSS



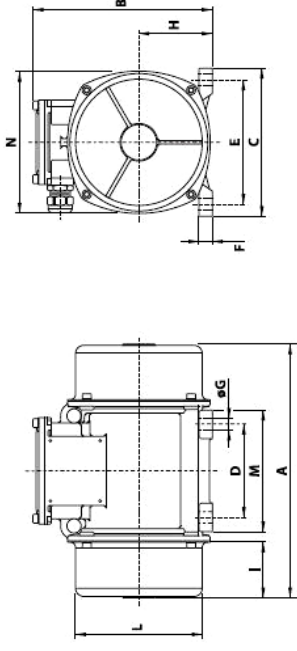
MODEL	Fr. Size	Cat.	C/F Kgs		Power (W)		Current (A)			Capacitor		A	B	C	D	E	F	G		H	I	L	M	N	Cable entry thread (X 1.5)	Wt Kgs
			50 Hz	60 Hz	50 Hz	60 Hz	50 Hz	60 Hz	50 Hz	60 Hz	Dia.							No.								
MVSS 3/100-S02	00		121	174	180	180	0.35	0.30	-	-	209	151	125	62-74	106	10	9	4	61	45	100	102	117	M20	7.8	
MVSS 3/200-S02	01		211	218	180	180	0.35	0.30	-	-	225	151	125	62-74	106	10	9	4	61	53	100	102	117	M20	8.2	
MVSS 3/300-S02	10		304	297	260	270	0.60	0.50	-	-	255	176	152	90	125	12	13	4	73	54	124	122	141	M20	12.5	
MVSS 3/500-S02	20	3 Ph 400v	503	471	450	500	0.80	0.75	-	-	284	200	167	105	140	15	13	4	82.5	63	143	137	160	M25	18.5	
MVSS 3/800-S08	30		785	754	650	685	1.10	1.00	-	-	308	205	205	120	170	17	17	4	93.5	63	168	160	182	M25	25.0	
MVSS 3/1100-S02	35		1105	1061	1000	1200	1.75	1.75	-	-	354	232	205	120	170	20	17	4	104.5	77	181	162	203	M25	30.0	
MVSS 3/1510-S02	40		1545	1483	1400	1450	2.30	2.00	-	-	438	245	230	140	190	25	17	4	116	103	201	180	225	M25	39.6	
MVSS 3/2010-S02	50		2059	1853	2200	2200	3.50	3.00	-	-	438	245	230	140	190	25	17	4	116	103	201	180	225	M25	48.7	
							220v	115v																		
MVSS 3/100-S02	00		121	174	165	165	0.75	1.52	10	28	209	151	125	62-74	106	10	9	4	61	45	100	102	117	M20	7.8	
MVSS 3/200-S02	01	1 Ph 220v	211	218	165	165	0.75	1.52	10	28	225	151	125	62-74	106	10	9	4	61	53	100	102	117	M20	8.2	
MVSS 3/300-S02	10		304	297	280	280	1.25	2.40	16	25	255	176	152	90	125	12	13	4	73	54	124	122	141	M20	12.5	
MVSS 3/500-S02	20		503	471	500	500	2.30	4.50	12.5	50	284	200	167	105	140	15	13	4	82.5	63	143	137	160	M25	18.5	
MVSS 3/800-S08	30		785	754	700	750	3.25	7.00	25	90	308	205	205	120	170	17	17	4	93.5	63	168	160	182	M25	25.0	

STAINLESS STEEL ELECTRIC EXTERNAL VIBRATORS 4 POLES 1500 RPM MVSS



MODEL	Fr. Size	Cat.	C/F Kgs		Power (W)		Current (A)			Cap.		A 50 Hz	B	C	D	E	F	G		H	I 50 Hz	L	M	N	Cable entry thread (X 1.5)	Wt Kgs 50 Hz
			50 Hz	60 Hz	50 Hz	60 Hz	50 Hz	60 Hz	50 Hz	60 Hz	115v							115v	50 Hz							
MVSS 15/35-S02	00	3 Ph 400v	30.2	43.5	85	95	0.21	0.20	-	-	209	151	125	62-74	106	10	9	4	61	45	100	102	117	M20	7.8	
MVSS 15/80-S02	01		77.9	76.1	85	95	0.21	0.20	-	-	225	151	125	62-74	106	10	9	4	61	53	100	102	117	M20	9.0	
MVSS 15/100-S02	01		97.9	112	85	95	0.21	0.20	-	-	241	151	125	62-74	106	10	9	4	61	61	100	102	117	M20	9.4	
MVSS 15/200-S02	10		213	214	170	170	0.41	0.40	-	-	295	176	152	90	125	12	13	4	73	74	124	122	141	M20	15.8	
MVSS 15/400-S02	20		412	411	300	350	0.60	0.60	-	-	340	200	167	105	140	15	13	4	82.5	91	143	137	160	M25	22.5	
MVSS 15/550-S02	20		552	592	300	350	0.60	0.60	-	-	380	200	167	105	140	15	13	4	82.5	111	143	137	160	M25	23.9	
MVSS 15/700-S08	30		720	760	525	665	0.92	0.98	-	-	378	205	205	120	170	17	17	4	93.5	98	168	160	182	M25	32.0	
MVSS 15/1100-S02	35		1045	982	550	680	0.95	0.95	-	-	434	232	205	120	170	20	17	4	104.5	117	181	162	203	M25	42.0	
MVSS 15/1410-S02	40		1413	1449	900	1050	1.45	1.50	-	-	442	245	230	140	190	25	17	4	116	105	201	180	225	M25	53.0	
MVSS 15/1710-S02	50		1798	1757	1100	1200	2.00	1.90	-	-	490	245	230	140	190	25	17	4	116	129	201	180	225	M25	58.5	
MVSS 15/2000-S02	50	2054	2033	1350	1450	2.50	2.30	-	-	560	245	230	140	190	25	17	4	116	164	201	180	225	M25	70.0		
MVSS 15/2410-S02	60	2420	2444	1600	1700	3.20	3.00	-	-	525	285	275	155	225	30	22	4	135	131	231	205	253	M25	82.0		
MVSS 15/3000-S02	60	3106	3107	1900	2000	3.80	3.50	-	-	601	285	275	155	225	30	22	4	135	169	231	205	253	M25	92.0		
MVSS 15/3810-S02	70	3840	3744	2200	2500	3.90	3.90	-	-	589	323	310	155	255	35	23.5	4	155	139.5	269	215	295	M25	115.0		
MVSS 15/4300-S02	70	4326	4250	2500	2800	4.80	4.65	-	-	589	323	310	155	255	35	23.5	4	155	178	269	215	295	M25	122.0		
MVSS 15/35-S02	00	1 Ph 220v	30.2	43.5	90	100	0.43	1.00	3.15	25	209	151	125	62-74	106	10	9	4	61	45	100	102	117	M20	7.8	
MVSS 15/80-S02	01		77.9	76.1	90	100	0.43	1.00	3.15	25	225	151	125	62-74	106	10	9	4	61	53	100	102	117	M20	9.0	
MVSS 15/100-S02	01		97.9	112	90	100	0.43	1.00	3.15	25	241	151	125	62-74	106	10	9	4	61	61	100	102	117	M20	9.4	
MVSS 15/200-S02	10		213	214	210	230	1.00	2.00	5	25	295	176	152	90	125	12	13	4	73	74	124	122	141	M20	15.8	
MVSS 15/400-S02	20		412	411	240	320	1.20	2.80	32/12	35	340	200	167	105	140	15	13	4	82.5	91	143	137	160	M25	22.5	
MVSS 15/550-S02	20		552	592	240	320	1.20	2.80	32/12	40/35	380	200	167	105	140	15	13	4	82.5	111	143	137	160	M25	23.9	
MVSS 15/700-S08	30		720	760	450	550	2.15	5.15	96/16	160/40	378	205	205	120	170	17	17	4	93.5	98	168	160	182	M25	25.0	

STAINLESS STEEL ELECTRIC EXTERNAL VIBRATORS 6 POLES 1000 RPM MVSS



MODEL	Fr. Size	Cat.	C/F Kgs		Power (W)			Current (A)			Cap.		A 50 Hz	B	C	D	E	F	G		H 50 Hz	I 50 Hz	L	M	N	Cable entry thread (X 1.5)	Wt Kgs 50 Hz
			50 Hz	60 Hz	50 Hz	60 Hz	50 Hz	60 Hz	50 Hz	60 Hz	50 Hz	60 Hz							50 Hz	60 Hz							
MVSS 10/40-S02	10		35	49	120	135	0.30	0.30	0.30	0.30	-	-	255	176	152	90	125	12	13	4	73	54	124	122	141	M20	12.5
MVSS 10/100-S02	10		94.3	136	120	135	0.30	0.30	0.30	-	-	295	176	152	90	125	12	13	4	73	74	124	122	141	M20	15.8	
MVSS 10/200-S02	20		183	264	185	205	0.50	0.50	0.50	-	-	340	200	167	105	140	15	13	4	82.5	91	143	137	160	M25	22.5	
MVSS 10/310-S08	30		321	338	350	380	0.72	0.68	0.68	-	-	378	205	205	120	170	17	17	4	93.5	98	168	160	182	M25	32.0	
MVSS 10/550-S02	35	3 Ph 400v	512	737	350	380	0.75	0.68	0.68	-	-	434	232	205	120	170	20	20	4	104.5	117	181	162	203	M25	43.5	
MVSS 10/810-S08	40		809	905	680	760	1.40	1.35	1.35	-	-	490	245	230	140	190	25	25	4	116	129	201	180	225	M25	54.0	
MVSS 10/1110-S08	50		1132	1151	750	750	1.65	1.50	1.50	-	-	560	245	230	140	190	25	25	4	116	164	201	180	225	M25	67.0	
MVSS 10/1400-S08	50		1424	1485	950	1000	1.80	1.70	1.70	-	-	560	245	230	140	190	25	25	4	116	164	201	180	225	M25	78.0	
MVSS 10/1610-S08	60		1638	1549	1100	1300	2.20	2.20	2.20	-	-	601	285	275	155	225	30	30	4	135	169	231	205	253	M25	94.0	
MVSS 10/2100-S08	60		2154	2102	1500	1700	3.00	2.90	2.90	-	-	601	285	275	155	225	30	30	4	135	169	231	205	253	M25	105.0	
MVSS 10/2610-S02	70		2601	2747	1960	2100	4.10	3.75	3.75	-	-	657	323	310	155	255	35	35	4	155	173.5	269	215	295	M25	130.0	
MVSS 10/3000-S02	70		3007	3124	2200	2400	4.50	4.30	4.30	-	-	705	323	310	155	255	35	35	4	155	197.5	269	215	295	M25	145.0	

8 POLES 750 RPM MVSS

MODEL	Fr. Size	Cat.	C/F Kgs		Power (W)			Current (A)			Cap.		A 50 Hz	B	C	D	E	F	G		H 50 Hz	I 50 Hz	L	M	N	Cable entry thread (X 1.5)	Wt Kgs 50 Hz
			50 Hz	60 Hz	50 Hz	60 Hz	50 Hz	60 Hz	50 Hz	60 Hz	50 Hz	60 Hz							50 Hz	60 Hz							
MVSS 075/150-S02	20		104	149	230	250	0.85	0.76	0.76	-	-	340	200	167	105	140	15	13	4	82.5	91	143	137	160	M25	22.5	
MVSS 075/250-S08	30		181	260	350	380	1.10	1.05	1.05	-	-	378	205	205	120	170	17	17	4	93.5	98	168	160	182	M25	32.0	
MVSS 075/400-S02	35		288	415	280	300	0.60	0.58	0.58	-	-	434	232	205	120	170	20	20	4	104.5	117	181	162	203	M25	43.5	
MVSS 075/660-S08	40	400v 3Ph	456	656	400	450	1.20	1.20	1.20	-	-	490	245	230	140	190	25	25	4	116	129	201	180	225	M25	54.0	
MVSS 075/910-S08	50		637	917	400	500	1.40	1.30	1.30	-	-	560	245	230	140	190	25	25	4	116	164	201	180	225	M25	67.0	
MVSS 075/1310-S08	60		922	1327	950	1100	2.20	2.20	2.20	-	-	601	285	275	155	225	30	30	4	135	169	231	205	253	M25	94.0	
MVSS 075/2110-S02	70		1463	2107	1500	1790	4.10	4.20	4.20	-	-	657	323	310	155	255	35	35	4	155	173.5	269	215	295	M25	130.0	