



---

## **MICRO ELECTRIC EXTERNAL VIBRATORS**

---

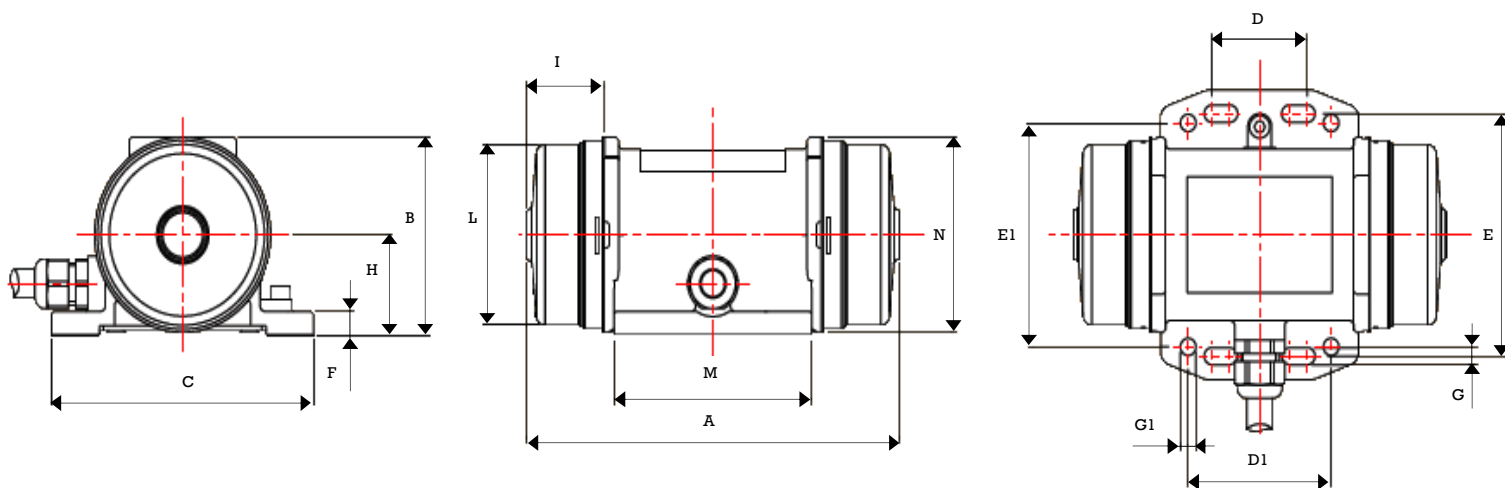
### **MODEL Micro**

- Rotary Vibrator
- Protection IP65
- Insulation Class F
- Ambient temperature -20°C to +40°C
- Atex rated as standard for zone 22

2 CHAPEL ROAD, PORTSLADE, BRIGHTON, BN41 1PF ENGLAND  
Tel. +44(0) 1273 430977 Fax. +44 (0) 1273 430978  
Web. [www.vibtec.com](http://www.vibtec.com) E-mail. [sales@vibtec.com](mailto:sales@vibtec.com)

**PERFORMANCE DATA**

MODEL	Max C/F kg	Volts	Amps	Watts	RPM	Ph	Hz	Weight kg
M3/4	4.0	115	0.30	24	3000	1	50	0.92
M3/20	20.0		0.42	35	3000	1	50	1.97
M3/45	45.0		0.46	45	3000	1	50	2.20
M3/4	4.0	220/240	0.13	24	3000	1	50	0.92
M3/20	20.0		0.17	35	3000	1	50	1.97
M3/45	45.0		0.20	45	3000	1	50	2.20
M3/20	20.0	380/480	0.15	35	3000	3	50	1.97
M3/45	45.0		0.16	45	3000	3	50	2.20



**DIMENSIONS**

MODEL	A	B	C	D	D1	E	E1	F	G	ØG1	No. Holes	H	I	L	M	N	Gland
M3/4	113	66.5	90	25-40	-	75	-	9	5.5	-	4	34	25	60	59	65	M12x1.5
M3/20	157	75	110	25-40	60	92	85	9	6.5	6.5	8	38	33	69	83	74	M16x1.5
M3/45	172	75	110	25-40	60	92	85	9	6.5	6.5	8	38	40.5	69	83	74	M16x1.5