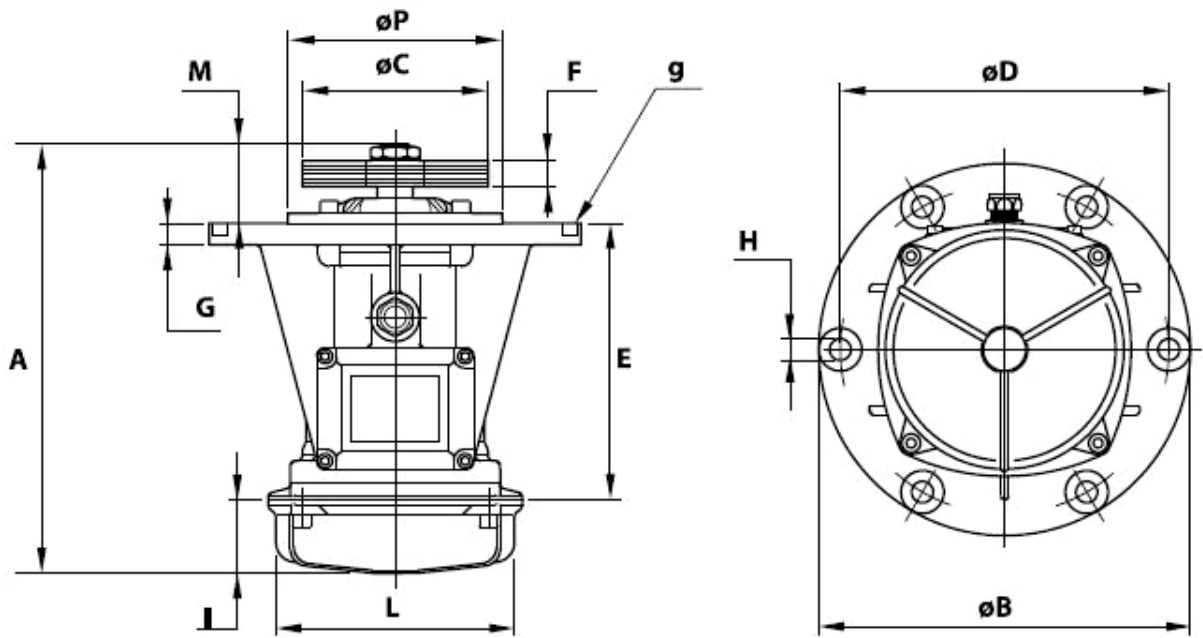


FLANGED ELECTRIC EXTERNAL VIBRATORS

MODEL MTF

- Protection IP66, IK 08 shock-resistance level
- Insulation Class F (155°C), Class H (180°C) on request
- Ambient Temperature -20°C to +40°C
- ATEX rated zones 21 & 22 as standard

2 CHAPEL ROAD, PORTSLADE, BRIGHTON, BN41 1PF ENGLAND
Tel. +44(0) 1273 430977 Fax. +44 (0) 1273 430978
Web. www.vibtec.com E-mail. sales@vibtec.com



2 POLE - 3000 RPM

MODEL	Category	SIZE	C/F Kgs	Power W	Current A	A	ØB	ØC	Holes			E	F	G	I	L	M	ØP	Cable Entry Thread X 1.5	Wght Kgs
									ØD	ØH	No.									
MTF 3/65-S02	380/415V 3Ph 50Hz	00	62	120	0.27	189	130	86	109	8.5	4	132	7.5	10	36	96	22	-	M20	5.4
MTF 3/200-S02		01	181	180	0.35	225.5	211.5	92	188	12	4	144	21	10	58	103	23.5	-	M20	7.5
MTF 3/300-S02		10	254	260	0.60	247	215	110	187	12	4	179.5	18	13	54	127	13.5	-	M20	11.2
MTF 3/500-S02		20	414	450	0.80	279.5	245	122	205	12	6	124	24	12	65	145	90.5	162	M25	15.0
MTF 3/650-S02		20	644	450	0.80	279.5	245	150	205	12	6	124	18	12	65	145	90.5	162	M25	15.2
MTF 3/800-S02		30	655	650	1.10	301	260	150	230	15	6	182	18	15	63	170	56	150	M25	17.0
MTF 3/1100-S90*		40	1180	940	1.70	383	279	145	254	14	4	-	31	17.5	57.5	-	63	229	M25	26.0
MTF 3/65-S02	220/240V 1Ph 50Hz	00	62	110	0.56	189	130	86	109	8.5	4	132	7.5	10	36	96	22	-	M20	5.4
MTF 3/200-S02		01	181	165	0.75	225.5	211.5	92	188	12	4	144	21	10	58	103	23.5	-	M20	7.5
MTF 3/300-S02		10	254	280	1.25	247	215	110	187	12	4	179.5	18	13	54	127	13.5	-	M20	11.2
MTF 3/500-S02		20	414	500	2.30	279.5	245	122	205	12	6	124	24	12	65	145	90.5	162	M25	15.0
MTF 3/650-S02		20	644	500	2.30	279.5	245	150	205	12	6	124	18	12	65	145	90.5	162	M25	15.2
MTF 3/800-S02		30	655	700	3.25	301	260	150	230	15	6	182	18	15	63	170	56	150	M25	17.0

* Supplied without weight covers on both sides

4 POLE - 1500 RPM

MODEL	Category	SIZE	C/F Kgs	Power W	Current A	A	ØB	ØC	Holes			E	F	G	I	L	M	ØP	Cable Entry Thread X 1.5	Wght Kgs
									ØD	ØH	No.									
MTF 15/80-S02	380/415V 3Ph 50Hz	01	78	85	0.21	225.5	211.5	92	188	12	4	144	31	10	58	103	23.5	-	M20	6.8
MTF 15/200-S02		10	180	170	0.41	292.5	215	114	187	12	4	179.5	48	13	77	127	36	-	M20	14.0
MTF 15/400-S02		20	347	300	0.60	335.5	245	130	205	12	6	124	59	12	93	145	118.5	162	M25	20.6
MTF 15/550-S02		20	481	300	0.60	376.5	245	130	205	12	6	124	79	12	114	145	138.5	162	M25	22.0
MTF 15/700-S02		30	623	525	0.92	380.5	260	154	230	15	6	182	59	15	106	170	92.5	150	M25	26.0
MTF 15/1100-S90*		40	1044	900	1.45	426	279	190	254	14	4	-	49	17.5	57.5	-	84.5	229	M25	36.0
MTF 15/1710-S02		50	1216	1100	2.00	488	350	190	290	17	6	232	84	18	134	209	122	172	M25	44.0
MTF 15/2000-S02		50	1378	1350	2.50	561	350	190	290	17	6	232	96	18	171	209	158	172	M25	48.0
MTF 15/3810-S02		70	2615	2200	3.90	614	410	250	350	22	6	310	78	20	178	280	125.5	234	M25	100
MTF 15/80-S02	220/240V 1Ph 50Hz	01	78	90	0.43	225.5	211.5	92	188	12	4	144	31	10	58	103	23.5	-	M20	6.8
MTF 15/200-S02		10	180	210	1.00	292.5	215	114	187	12	4	179.5	48	13	77	127	36	-	M20	14.0
MTF 15/400-S02		20	347	240	1.20	335.5	245	130	205	12	6	130	59	12	93	145	118.5	162	M20	20.6
MTF 15/550-S02		20	481	240	1.20	376.5	245	130	205	12	6	130	79	12	114	145	138.5	162	M20	22.0
MTF 15/700-S02		30	623	450	2.15	380.5	260	154	230	15	6	182	59	15	106	170	92.5	150	M25	26.0

* Supplied without weight covers on both sides