



---

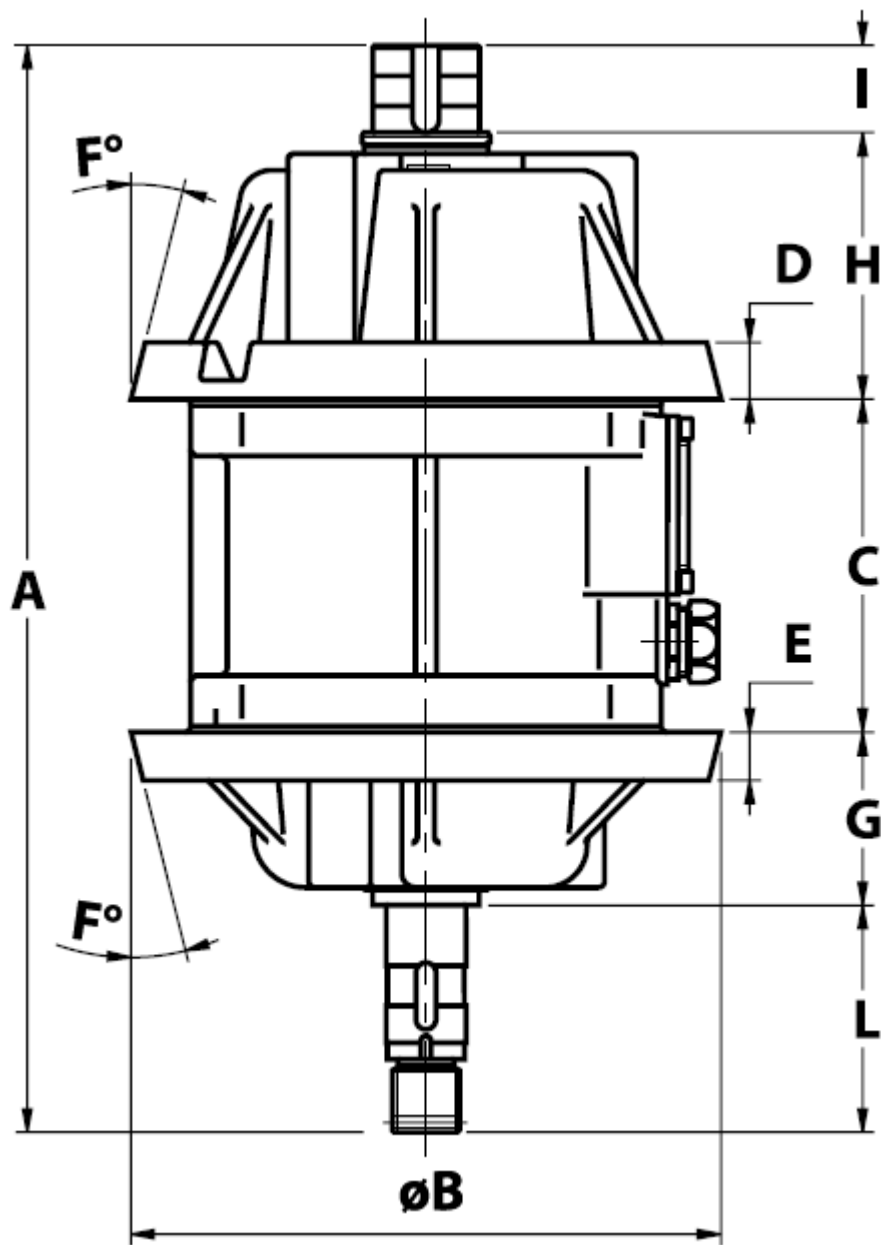
## **FLANGED VERTICAL ELECTRIC VIBRATORS**

---

### **MODEL VB**

- Protection IP66
- Insulation Class F (155°C)
- Ambient Temperature -20°C to +40°C
- ATEX rated zones 21 & 22
- Can be mounted in any positions without restrictions

2 CHAPEL ROAD, PORTSLADE, BRIGHTON, BN41 1PF ENGLAND  
Tel. +44(0) 1273 430977 Fax. +44 (0) 1273 430978  
Web. [www.vibtec.com](http://www.vibtec.com) E-mail. [sales@vibtec.com](mailto:sales@vibtec.com)



**PERFORMANCE DATA**

MODEL	POLES	RPM		C/F FORCE (kgs)		POWER (W)		CURRENT (A)	
		50 Hz	60 Hz	50 Hz	60 Hz	50 Hz	60 Hz	50 Hz	60 Hz
VB 15/2510-D	4	1500	1800	2500	2500	2016	2600	3.60	4.10
VB 10/2510-D	6	-	1200	-	2500	-	2100	-	3.22
VB 15/5000-LM	4	1500	1800	5000	5000	3600	3400	6.00	5.00

**DIMENSIONS**

MODEL	A	ØB	C	D	E	F°	G	H	I	L	Cable Entry Thread X 1.5	Weight (Kgs)
VB 15/2510-D	517.5	281	152.5	30	26	14	85.3	136.6	35	108	M32	68
VB 10/2510-D	517.5	281	152.5	30	26	14	85.3	136.6	35	108	M32	68
VB 15/5000-LM	555	342	208	48	48	25	106.5	110	60.5	70	M32	101