



ELECTRIC EXTERNAL VIBRATORS

MODEL MVCC

- Rotary Vibration
- Available in 12V and 24V DC
- Protection IP66
- Insulation Class F
- Large Terminal Connection
- Ambient Temperature -20°C to $+40^{\circ}\text{C}$

2 CHAPEL ROAD, PORTSLADE, BRIGHTON, BN41 1PF ENGLAND
Tel. +44(0) 1273 430977 Fax. +44 (0) 1273 430978

Web. www.vibtec.com E-mail. sales@vibtec.com

PERFORMANCE DATA

MODEL	RPM	C/F FORCE (kgs)	POWER	WEIGHT	MAX CURRENT	
					12v	24v
MVCC 3/100-MF	3000	120	100	5.0	8.0	4.0
MVCC 3/200-MF	3000	211	190	6.0	16.0	8.0
MVCC 3/500	3000	503	270	13.1	22.5	11.3
MVCC 3/1200	3600	1130	530	20.8	-	22.0
MVCC 3/1500	3600	1520	530	21.5	-	22.0

Fig. A

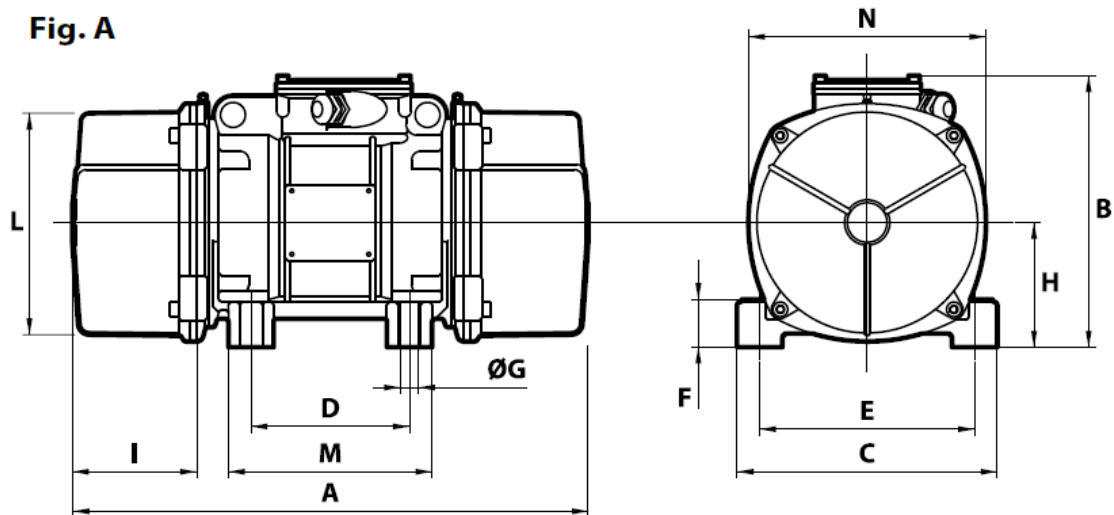
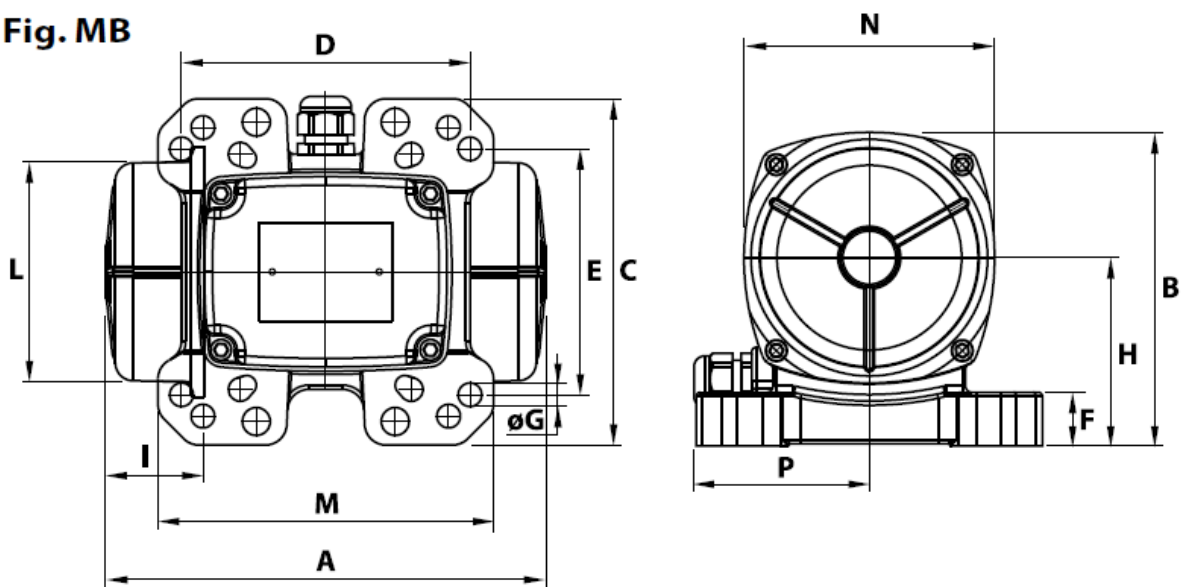


Fig. MB



DIMENSIONS

MODEL	Fig	A	B	C	D	E	F	ØG	H	I	L	M	N	P	Cable Gland
MVCC 3/100-MF	MB	206	146.5	162	65-74 80-115 -135	140-106 110-135 -115	25	13-9 -11-11 -11	88	46	103	157	117	82	M20x1.5
MVCC 3/200-MF	MB	263	146.5	162	65-74 80-115	140-106 110-135	25	13-9 11-13	88	46	103	140	117	82	M20x1.5
MVCC 3/500	A	288	203	167	105	140	30	13	82.5	65	145	140	160	-	M25x1.5
MVCC 3/1200	A	308	214.5	205	120	170	45	17	93.5	63	168	160	182	-	M25x1.5
MVCC 3/1500	A	308	214.5	205	120	170	45	17	93.5	63	168	160	182	-	M25x1.5