



---

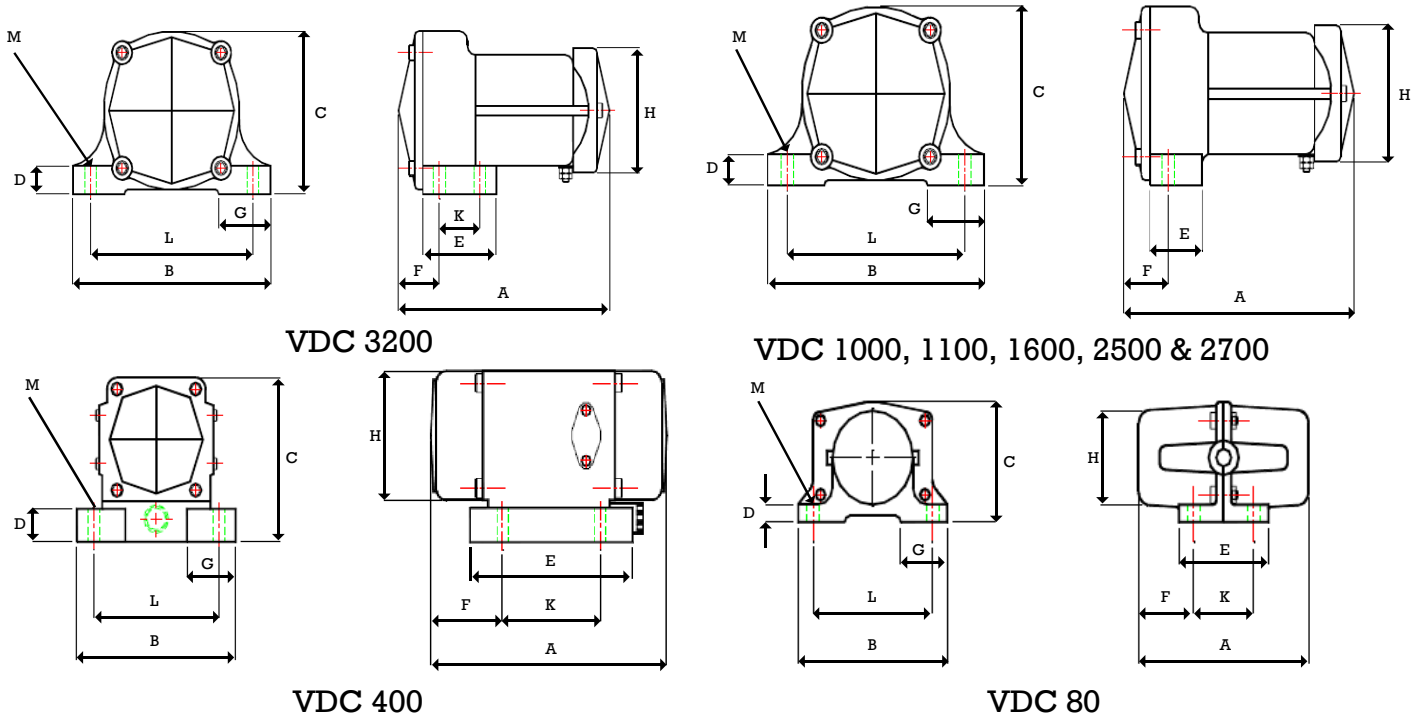
## **ELECTRIC EXTERNAL VIBRATORS**

---

### **MODEL VDC**

- Rotary Vibration
- Robust Unit
- Available in 12v and 24v
- Sealed against water and dust ingress
- Oversized bearings

2 CHAPEL ROAD, PORTSLADE, BRIGHTON, BN41 1PF ENGLAND  
Tel. +44(0) 1273 430977 Fax. +44 (0) 1273 430978  
Web. [www.vibtec.com](http://www.vibtec.com) E-mail. [sales@vibtec.com](mailto:sales@vibtec.com)



### PERFORMANCE DATA

MODEL	MAX. CURRENT (Amps)		MAX RPM	C/F FORCE (Kgs)
	12 V *	24 V *		
VDC 3200	85	62	4000	1455
VDC 2700	75	55	4500	1228
VDC 2500	72	55	5000	1136
VDC 1600	70	55	5000	727
VDC 1100	70	55	5000	500
VDC 1000	22	11	5000	455
VDC 400	15	7.5	3800	186
VDC 80	5	n/a	4000	36

\* Please specify while ordering

### DIMENSIONS

MODEL	A mm	B mm	C mm	D mm	E mm	F mm	G mm	H mm	K mm	L mm	M bolts	Wght kgs
VDC 3200	263.5	247.7	174.6	30.2	92.1	50.8	65.1	133.4	50.8	203.2	14 (4)	16.4
VDC 2700	254.0	247.7	174.6	30.2	57.2	44.5	65.1	133.4	n/a	203.2	14 (2)	14.6
VDC 2500	254.0	247.7	174.6	30.2	57.2	44.5	65.1	133.4	n/a	203.2	14 (2)	14.1
VDC 1600	254.0	247.7	174.6	30.2	57.2	44.5	65.1	133.4	n/a	203.2	14 (2)	13.6
VDC 1100	254.0	247.7	174.6	30.2	57.2	44.5	65.1	133.4	n/a	203.2	14 (2)	13.6
VDC 1000	228.6	247.7	165.1	25.4	57.2	57.2	63.5	98.4	n/a	203.2	12 (2)	10.5
VDC 400	230.2	161.1	142.9	28.6	158.8	69.9	49.2	108.0	95.3	127.0	10 (4)	8.2
VDC 80	144.5	127.0	87.30	12.7	76.2	46.1	39.7	68.3	50.8	101.6	10 (4)	2.3