

ELECTRO-MAGNETIC DRIVES

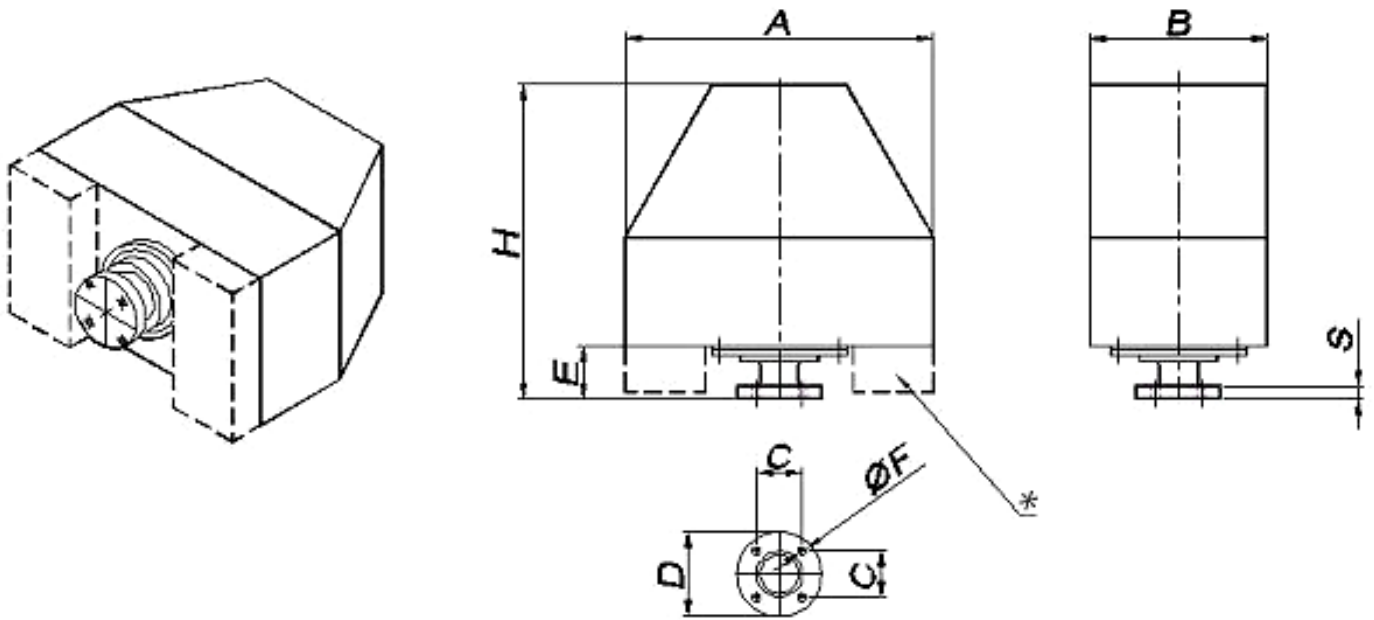
MODEL K

- 5 sizes in the range covering trough weights from 20 to 600kg
- Suitable for multiple drive configuration
- High quality, extremely robust and reliable with 1-1.5mm stroke
- Available for either 230 or 400V supply
- All parts either galvanized or painted with tropicalized coil
- Protected to IP 54 (higher on request) and insulated to class F
- Temperature range -10 to +40°C

2 CHAPEL ROAD, PORTSLADE, BRIGHTON, BN41 1PF ENGLAND

Tel. +44(0) 1273 430977 Fax. +44 (0) 1273 430978

Web. www.vibtec.com E-mail. sales@vibtec.com



DIMENSIONS

TYPE	A	B	C	D	E	ØF	H	S
K40	330	200	50	90	56	11	331	12
K80	400	230	60	110	65	13	405	16
K130	400	230	60	110	65	13	405	16
K220	600	300	100	175	90	19	600	25
K350	600	380	140	240	95	21	600	25

* Only for K130

PERFORMANCE DATA

TYPE	VOLTAGE	Hz	VA	Kg	RANGE
K40	230-400	50-60	400	35	20-100Kg
K80	230-400	50-60	1000	65	40-150Kg
K130	230-400	50-60	2000	110	80-250Kg
K220	400	50-60	4000	190	150-400Kg
K350	400	50-60	6000	280	250-600Kg

STROKE

