




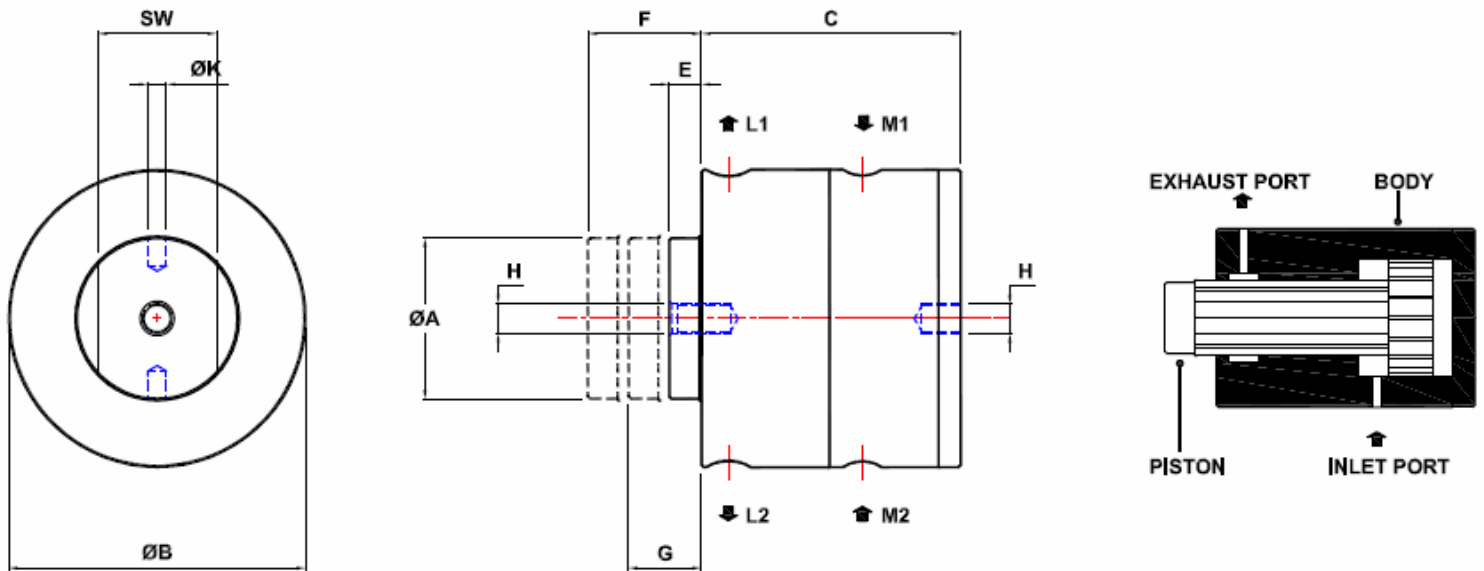
PNEUMATIC LINEAR VIBRATORS

MODEL VTL

- Linear Vibration
- Force 40 N to 7632 N
- Force variable by adding weights
- Frequency and amplitude adjustable independently
- Suitable for temperature: +5°C to 150°C, except VTL 155: +5°C to 100°C

On request can be supplied with ATEX certification
To ATEX 95 94/9/EC  II 2 G & D Zone 1, 2 & 21, 22

2 CHAPEL ROAD, PORTSLADE, BRIGHTON, BN41 1PF ENGLAND
Tel. +44(0) 1273 430977 Fax. +44 (0) 1273 430978
Web. www.vibtec.com E-mail. sales@vibtec.com



PERFORMANCE DATA

MODEL	Moving Part	Frequency V.P.M.			Force (N)			Air consumption l/min		
		2 bar	4 bar	6 bar	2 bar	4 bar	6 bar	2 bar	4 bar	6 bar
VTL 155	Piston	1820	2380	2700	40	72	96	18	40	85
VTL 165	Piston	1900	2450	2700	43	76	96	17	37	70
	Body	670	850	990	49	109	178	9	23	43
VTL 255	Piston	1585	1670	2200	82	214	398	56	109	180
	Body	615	640	795	301	326	596	42	68	104
VTL 405	Piston	1400	1700	2000	206	343	657	80	240	390
	Body	750	920	1050	334	647	893	65	155	315
VTL 555	Piston	1600	1970	2500	451	961	1305	140	419	717
	Body	880	1150	1460	834	1324	2433	120	319	492
VTL 855	Piston	1800	2280	2650	706	1137	1530	301	635	900
	Body	985	1260	1560	1177	2256	3198	210	500	865
VTL 1105	Piston	2130	2625	3000	1550	2619	2737	345	740	920
	Body	1330	1680	2050	1687	3551	4807	330	680	880

Please check our Maintenance Manual Book for more performance data, including details of the performance with extra weights.

DIMENSIONS

MODEL	A	B	C	E	F	G	H	K	L1	L2	M1	M2	SW	Weight kgs
VTL 155	16.0	50	114	9	43	24	M10	-	1/8"	-	1/8"	-	13	0.52
VTL 165	16.5	49	111	5	40	22.5	M10	-	1/8"	-	1/8"	-	14	1.48
VTL 255	25.5	64	140	9	54	36.5	M16	-	1/4"	-	1/4"	-	22	3.19
VTL 405	40.5	84	140	12	57	36.0	M16	-	3/8"	-	1/4"	-	32	5.50
VTL 555	55.5	115	125	17	54.7	36.8	M20	-	3/8"	-	3/8"	-	46	9.00
VTL 855	85.5	160	122	20	54.7	36.8	M20	12.7	3/8"	3/8"	3/8"	-	-	17.00
VTL 1105	110.5	200	122	22	54.7	36.8	M20	12.7	1/2"	1/2"	3/8"	3/8"	-	28.00