




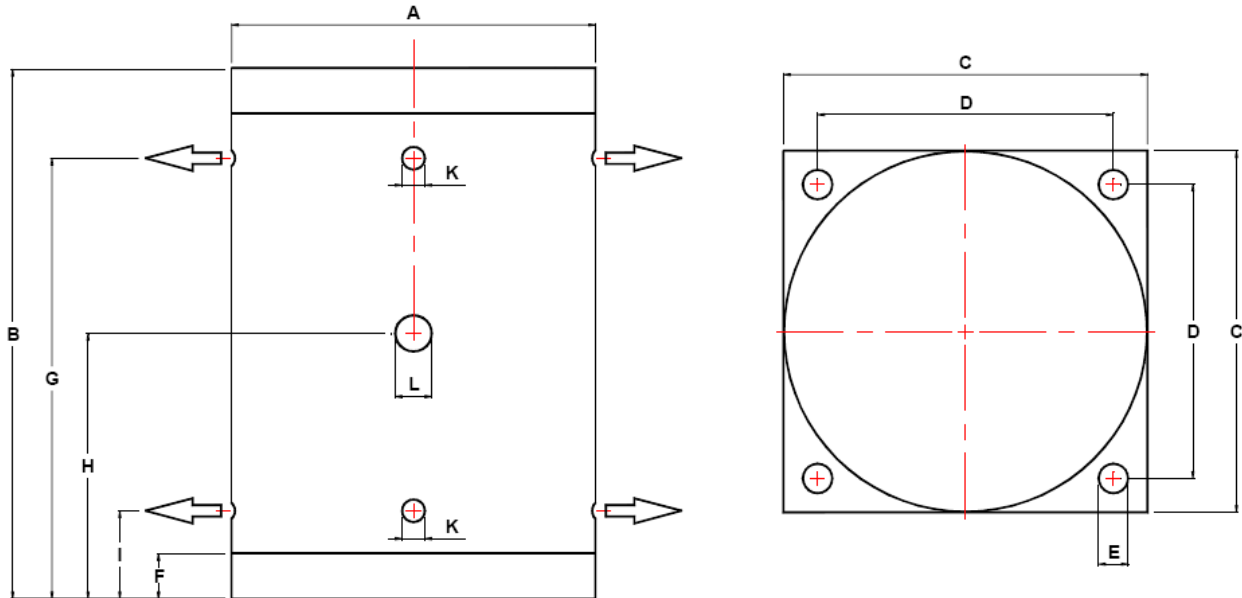
PNEUMATIC LINEAR VIBRATORS

MODEL VFP

- Linear Vibration
- Ideal for arduous conditions
- Force 400 N to 20600 N
- Frequency and amplitude adjustable independently
- Suitable for temperature up to 60 °C

On request can be supplied with ATEX certification
To ATEX 95 94/9/EC  II 2 G & D Zone 1, 2 & 21, 22

2 CHAPEL ROAD, PORTSLADE, BRIGHTON, BN41 1PF ENGLAND
Tel. +44(0) 1273 430977 Fax. +44 (0) 1273 430978
Web. www.vibtec.com E-mail. sales@vibtec.com



PERFORMANCE DATA

MODEL	Frequency RPM			Force N			Working Moment cm/Kg			Air Consumption l/min		
	2 Bar	4 Bar	6 Bar	2 Bar	4 Bar	6 Bar	2 Bar	4 Bar	6 Bar	2 Bar	4 Bar	6 Bar
VFP 75/01	2890	3780	4450	400	770	1180	0.9	1	1.1	110	235	370
VFP 50/01	2280	2736	3260	450	750	1130	1.6	1.8	1.9	108	225	350
VFP 54/02	1630	2350	2760	450	1210	2130	3.1	4.0	5.1	100	300	420
VFP 50/04	2000	2500	3000	1130	2390	3500	5.2	7.0	7.1	126	282	450
VFP 50/10	1800	2300	2850	2160	4930	8020	13	17	18	150	700	940
VFP 30/10	840	1044	1300	1940	4780	8900	50	80	96	280	730	1060
VFP 50/20	1940	2120	2800	8050	13730	18640	39	43	56	794	1658	2280
VFP 30/20	1200	1300	1750	5890	12750	19600	75	117	138	1036	2246	3110
VFP 24/20	980	1200	1420	6870	14700	20600	130	186	186	1038	2076	3028

DIMENSIONS

MODEL	A mm	B mm	C mm	D mm	E mm	F mm	G mm	H mm	I mm	K inch	L inch	Body Wt kgs	Piston Wt kgs	Total Wt kgs
VFP 75/01	79	115	90	72	8.5	20	81	60	38	1/4"	1/4"	1.1	0.8	1.9
VFP 50/01	79	155	90	72	8.5	20	121	80	40	1/4"	1/4"	1.5	1.4	2.9
VFP 54/02	100	156	110	90	9	19	111	77.5	44	3/8"	3/8"	2.3	1.6	3.9
VFP 50/04	140	157	150	124	13	20	112	89	45	3/8"	3/8"	11.6	4.3	15.9
VFP 50/10	190	157	200	165	17	20	110	79	45	3/8"	1/2"	20	9	29
VFP 30/10	190	340	200	165	17	20	290	170	50	3/8"	1/2"	41	25	66
VFP 50/20	250	190	250	210	21	30	134	95	57	3/8"	3/4"	42	19	61
VFP 30/20	250	278	250	210	21	30	218	139	61	3/8"	3/4"	54	37	91
VFP 24/20	250	360	250	210	21	30	298	180	62	3/8"	3/4"	68	54	122