

PNEUMATIC BALL VIBRATORS

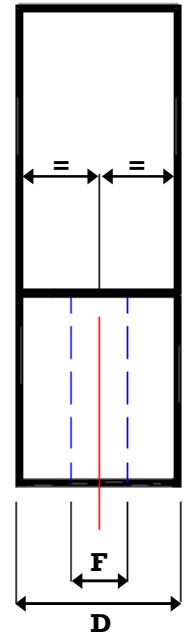
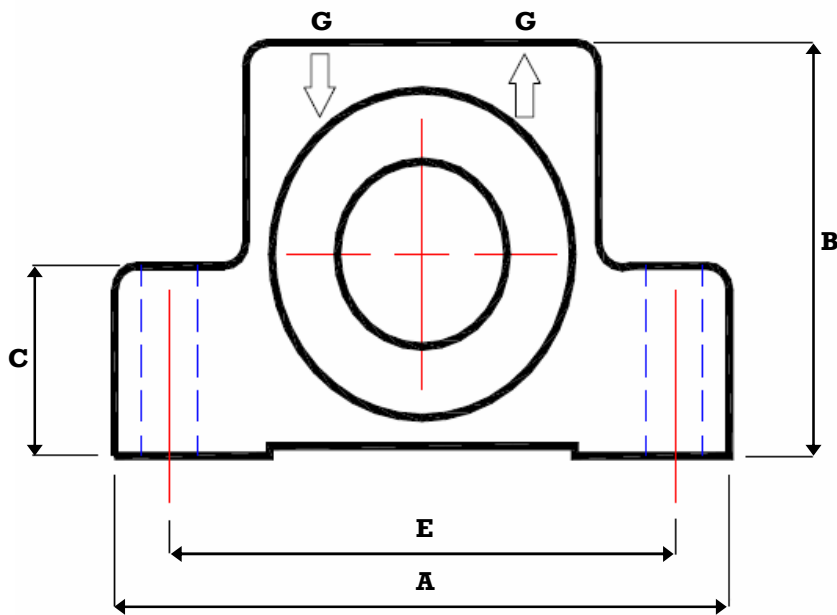
MODEL SK

- **Small and Lightweight**
- **Assists the flow of materials from chutes and hoppers.**
- **Plastic construction**
- **Compaction of materials in containers or moulds**
- **Force adjustable by air pressure**
- **Force 403 N to 4464 N**

2 CHAPEL ROAD, PORTSLADE, BRIGHTON, BN41 1PF ENGLAND

Tel. +44(0) 1273 430977 Fax. +44 (0) 1273 430978

Web. www.vibtec.com E-mail. sales@vibtec.com



PERFORMANCE DATA

| MODEL | RPM (80 PSI / 5.5 bar) | Force (kgs) | Air Consumption (l/min) | Weight (kgs) |
|-------|---------------------------|----------------|----------------------------|-----------------|
| SK10 | 24000 | 403 | 240 | 0.3 |
| SK13 | 20000 | 481 | 300 | 0.5 |
| SK16 | 15000 | 775 | 470 | 0.6 |
| SK19 | 14000 | 1050 | 490 | 1.0 |
| SK25 | 9000 | 1207 | 550 | 1.1 |
| SK35 | 8500 | 2070 | 570 | 1.1 |
| SK38 | 6000 | 3022 | 830 | 2.2 |
| SK41 | 5800 | 3414 | 830 | 2.7 |
| SK44 | 5600 | 3758 | 910 | 2.7 |
| SK51 | 5300 | 4464 | 910 | 2.9 |

DIMENSIONS

| MODEL | A (mm) | B (mm) | C (mm) | D (mm) | E (mm) | F Diam. (mm) | G BSP |
|-------|-----------|-----------|-----------|-----------|-----------|-----------------|----------|
| SK10 | 126 | 68 | 34 | 30 | 101 | 10 | 1/8" |
| SK13 | 126 | 68 | 34 | 30 | 101 | 10 | 1/8" |
| SK16 | 141 | 87 | 40 | 37 | 116 | 10 | 1/4" |
| SK19 | 141 | 87 | 40 | 37 | 116 | 10 | 1/4" |
| SK25 | 163 | 101 | 51 | 50 | 132 | 12.5 | 1/4" |
| SK35 | 163 | 101 | 50 | 50 | 132 | 12.5 | 1/4" |
| SK38 | 228 | 149 | 74 | 63.5 | 190 | 17 | 1/2" |
| SK41 | 228 | 149 | 74 | 63.5 | 190 | 17 | 1/2" |
| SK44 | 228 | 149 | 74 | 63.5 | 190 | 17 | 1/2" |
| SK51 | 228 | 149 | 74 | 63.5 | 190 | 17 | 1/2" |