



---

## HEAVY DUTY PNEUMATIC ROTARY VIBRATORS

---

### MODEL AC

- Powered by a air motor
- Frequency range from 2700 to 5650rpm
- Centrifugal Force range from 3.6 kN to 120 kN
- Frequency adjustable by air pressure

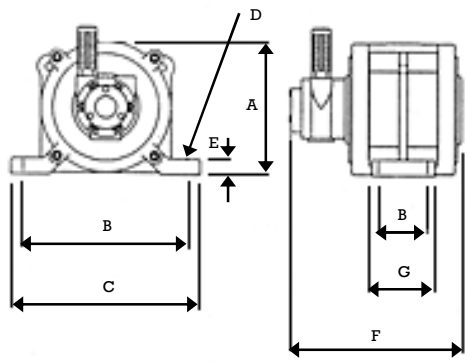
2 CHAPEL ROAD, PORTSLADE, BRIGHTON, BN41 1PF ENGLAND  
Tel. +44(0) 1273 430977 Fax. +44 (0) 1273 430978  
Web. [www.vibtec.com](http://www.vibtec.com) E-mail. [sales@vibtec.com](mailto:sales@vibtec.com)

**PERFORMANCE DATA**

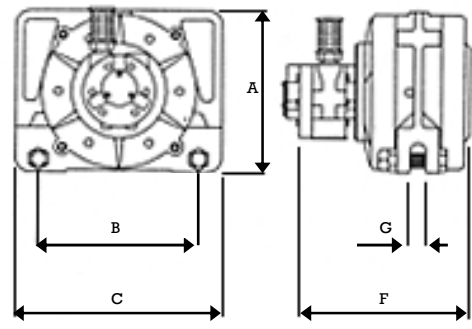
MODEL	START PSI	START BAR	40 PSI (2.8 BAR)			60 PSI (4.1 BAR)			80 PSI (5.5 BAR)			MAXIMUM WEIGHT OF MATERIAL IN SLOPED PORTION (Kgs)
			SPEED	FLOW	FORCE	SPEED	FLOW	FORCE	SPEED	FLOW	FORCE	
			RPM	LPS	KN	RPM	LPS	KN	RPM	LPS	KN	
C3/6A-4AC	8	0.55	4400	19	3.6	5150	26	5.0	5650	35	6.0	6170
	8	0.55	4310	19	4.7	4980	25	6.3	5500	34	7.6	7800
	8	0.55	4220	18	5.6	4820	25	7.3	5350	34	9.0	9810
	8	0.55	4130	18	6.5	4650	25	8.2	5200	34	10.3	10400
	10	0.69	4050	17	8.3	4540	24	10.4	5170	33	13.5	13800
	13	0.90	3980	17	10.0	4440	24	12.5	5130	33	16.6	17000
	18	1.24	3900	16	11.5	4330	24	14.2	5100	33	19.7	20100
D4.5-6-4AC	18	1.24	3950	16	11.8	4250	24	13.7	4500	31	15.3	15600
CC4.5-6-4AC	18	1.24	3950	16	11.8	4250	24	13.7	4500	31	15.3	15600
D4.5-8-4AC	18	1.24	3600	14	13.1	3900	22	15.4	4300	30	18.7	19100
CC4.5-8-4AC	18	1.24	3600	14	13.1	3900	22	15.4	4300	30	18.7	19100
D4.5-10-4AC	18	1.24	3350	15	14.2	3700	22	17.3	3900	29	19.2	19600
CC4.5-10-4AC	18	1.24	3350	15	14.2	3700	22	17.3	3900	29	19.2	19600
D7-12-6AC	15	1.04	4000	26	24.2	5250	40	41.8	OPERATION NOT RECOMMENDED AT PRESSURES ABOVE 60 PSI			42600
CC7-12-6AC	15	1.04	4000	26	24.2	5250	40	41.8				42600
D7-18-6AC	15	1.24	3550	25	28.6	4650	39	49.2	5400	54	66.3	67600
CC7-18-6AC	15	1.24	3550	25	28.6	4650	39	49.2	5400	54	66.3	67600
D7-25-6AC	20	1.38	3300	24	34.4	4400	38	61.2	5050	51	80.6	82100
CC7-25-6AC	20	1.38	3300	24	34.4	4400	38	61.2	5050	51	80.6	82100
D7-50-6AC	25	1.73	2700	22	46.0	3750	32	88.8	4350	44	120	121900
CC7-50-6AC	25	1.73	2700	22	46.0	3750	32	88.8	4350	44	120	121900

**DIMENSIONS**

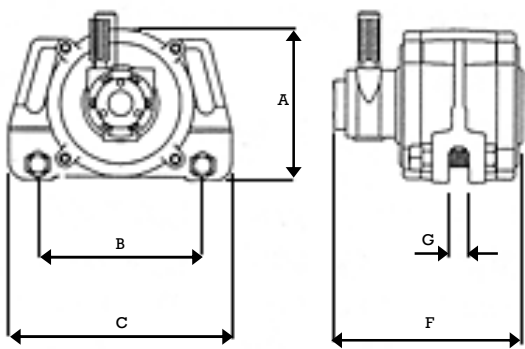
MODEL	A mm	B mm	C mm	D mm	E mm	F mm	G mm	Air Motor Port sizes	Weight Kgs
C3	208	203	282	23	23	244	76	1/2-14	20
D4.5	213	254 x 64	307	17	25	343	104	1/2-14	24
CC4.5	218	234	320	-	-	270	28	1/2-14	28
D7	292	406 x 51	457	20	36	343	152	3/4-14	47
CC7	292	292	376	-	-	343	28	3/4-14	44



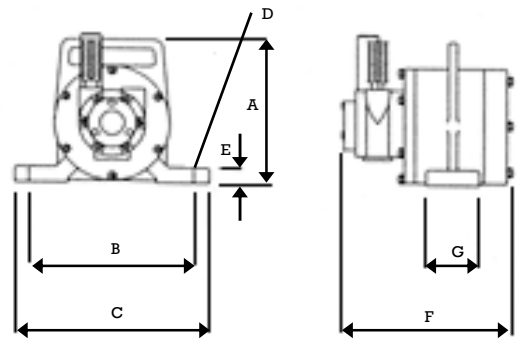
D4.5



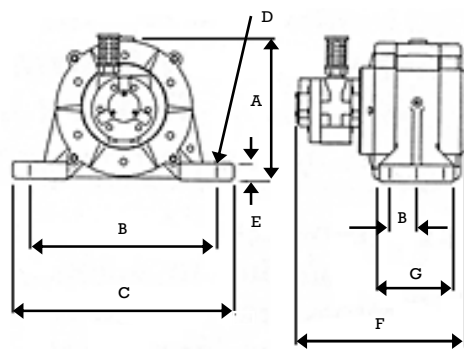
CC7



CC4.5



C3



D7