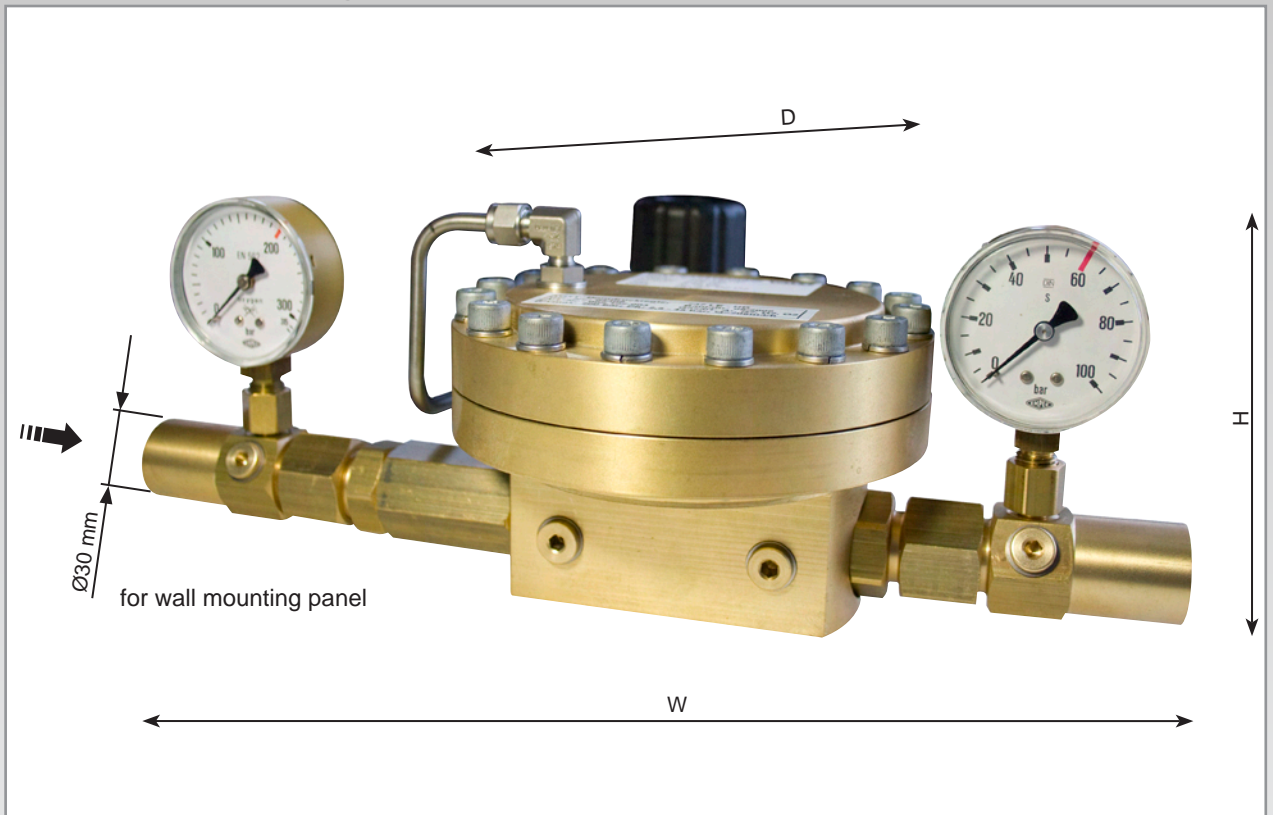


**Dome Pressure Regulator complete solution - own medium controlled**



**The complete solution - powerful and service reduced Dome Pressure Regulator applicable for mounting in pipe-works.**

**Benefits**

- anytime changeable working pressure (readjustable) – e.g. at fluctuation of temperature
- provides constant working pressure by dynamic control
- no disperse of pilot gas to the environment – closed system
- pressure regulator and gauges may be mounted in any position /orientation by rotating inlet and outlet connections
- additional connections (G 1/8 F) in the inlet and outlet range – e.g. pressure transmitter
- connection for wall mounting panel
- easy installation and removing

**Options**

- piloting by foreign gas available

**Operation / Usage**

Own medium controlled pressure regulator with dome pressure regulator for mounting in pipe-works.  
Type 747 LE, 737 LE-HD, 737 LE and 772 LE – see data sheet DR 2A.

**Function**

The dome pressure regulator is used in combination with pilot pressure regulator for adjusting the required working pressure (outlet pressure). The controlled gas (own medium) is used for the supply of pilot pressure regulator (re-controllable, closed diaphragm) by pilot gas.

**Maintenance**

Annual testing of body leak tightness is recommended. The dirt filter may be replaced if required.

**Approvals**

Company certified according to ISO 9001 and ISO 14001

**Other models, options and accessories available on request.**

**Please identify the individual gases at the time of enquiring!**

**PRESSURE REGULATOR**

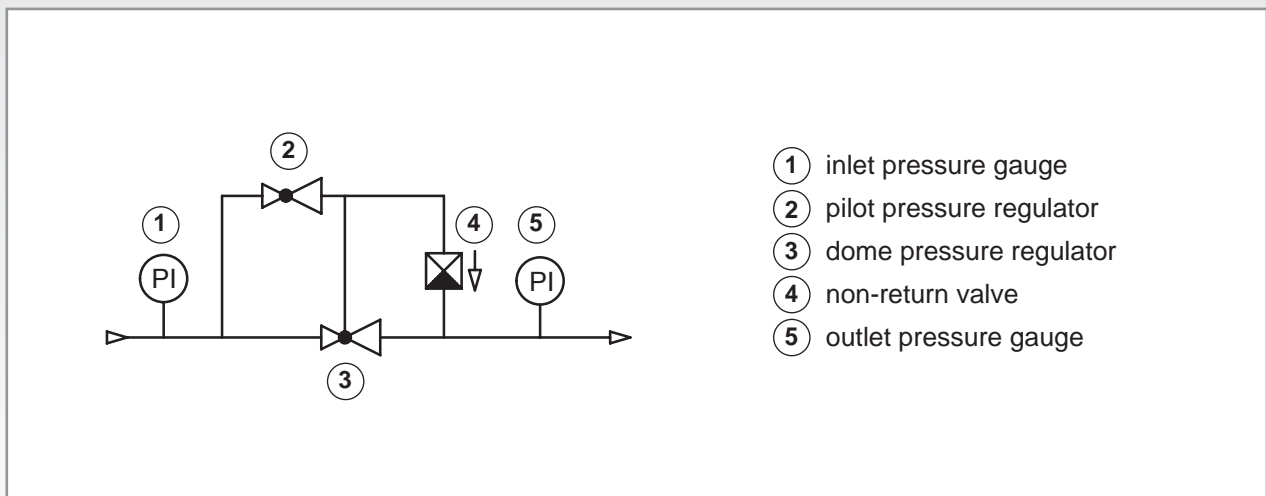
www.wittgas.com

**Dome Pressure Regulator complete solution - own medium controlled**

Basic Model	Gases max. inlet pressures [bar]	Dimensions H x W x D [mm]	Weight [kg]	Inlet and Outlet	Kv-Value	Max. Flow [m³/h]	Outlet pressure manometer [bar]	Order-No.
<b>NEW</b> 747 LE (278.059)	Ar, N <sub>2</sub> , H <sub>2</sub> , O <sub>2</sub> He, CO <sub>2</sub>	140x330x205 (5.51x12.99x8.07 inch)	12	G 1 F	3.6	-	2 - 30 (red label at 40)	192.013
	CO <sub>2</sub> 25						2 - 16 (red label at 25)	192.025
	O <sub>2</sub> 30 others 40						2 - 6 (red label at 10)	192.026
737 LE-HD (278.055)	Ar, N <sub>2</sub> , H <sub>2</sub> , O <sub>2</sub> He, CO <sub>2</sub>	140x380x230 (5.51x14.96x9.05 inch)	12	G 3/4 F	1.65	2.150	2,5 - 40 (red label at 60)	192.003
	CO <sub>2</sub> 60						2,5 - 16 (red label at 25)	192.002
	others 200						2 - 10 (red label at 16)	192.004
							2 - 6 (red label at 10)	192.008
737 LE (278.051)	Ar, N <sub>2</sub> , H <sub>2</sub> , O <sub>2</sub> He, CO <sub>2</sub>	140x380x230 (5.51x14.96x9.05 inch)	10	G 3/4 F	2.4	650	2 - 9 (red label at 16)	192.001
	CO <sub>2</sub> 25 others 60						2 - 6 (red label at 10)	192.009
772 LE (278.052)	Ar, N <sub>2</sub> , H <sub>2</sub> , O <sub>2</sub> He, CO <sub>2</sub>	140x350x205 (5.51x13.78x8.07 inch)	7		0.7	230	2 - 9 (red label at 16)	192.005
	CO <sub>2</sub> 25 O <sub>2</sub> 30 others 60						2 - 6 (red label at 10)	192.010

Other gases available on request

**F-SCHEMA**



Technical Data

D01/E1 subject to change