

SAFETY RELIEF VALVE

www.wittgas.com

SV805/805A 0.5 up to 45.0 bar



SV805



SV805-ES



SV805A



SV805A-ES

Spring loaded, direct acting safety relief valve for venting excess pressure from receivers, pipelines and other equipment.

Benefits

- according to PED 97/23/EC, category IV, Module B and F
- individual opening pressure
- TÜV-certification of pressure setting
- available in brass or stainless steel (ES)
- sealing material to suit gas or customer request
- compact size for easy, problem free installation
- range of inlet connections
- with / without condensation outlet
- protective dust cap

- SV805A (manual ventilation), for checking of safety function
- adapter for connection to ventilation pipe

Approvals

Manufactured and certified according to EN ISO 4126-1
 Company certified according to ISO 9001, ISO 14001 and PED 97/23/EC Module H
 CE-marked according to:
 - PED 97/23/EC

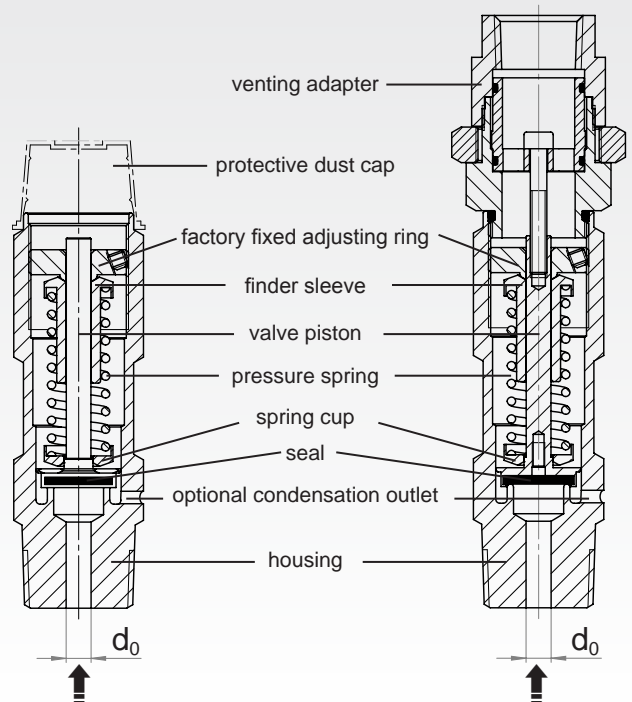
Other models, options and accessories available on request.

Please identify the individual gases, temperature, opening pressure, inlet connection and with or without condensation outlet at the time of enquiring!

Product Information

	SV805	SV805A
Manual ventilation	–	X
Opening pressure	from 0.5 up to 45.0 bar	
Gases	all technical gases	
Material	housing and metal turned parts made of brass or stainless steel, pressure spring made of stainless steel, valve seal considering to the gas	
Width across flats	27 mm	
Weight	approx. 260 g	approx. 660 g
Outlet	M24 x 1 female	
Marking	CE0045 TÜV*SV*08-931	
Drill hole (d ₀)	6.0 mm at 0.5 up to 25.0 bar 6.5 mm at > 25.0 up to 45.0 bar	
Temperature range	-60 °C/-76 °F up to approx. +150 °C/+302 °F (in accordance to gas and valve sealing)	
Adapter	for connection to ventilation pipe at the outlet	–

Technical Data



D01/B1 subject to change

SAFETY RELIEF VALVE
Flow capacity for air at 23 °C / 73.4 °F (valid only for atmospheric back pressure)

Opening pressure	[bar]	0.5	1	2	3	4	5	6	7	8	9	10	11
Volume flow	[m³/h]	15.7	23.5	35.9	48.3	60.6	73	85.4	97.7	110.1	122.3	134.7	147
Opening pressure	[bar]	12	13	14	15	16	17	18	19	20	21	22	23
Volume flow	[m³/h]	159.4	171.7	184.1	196.5	209.8	260.6	275.1	289.7	304.3	318.9	333.4	348
Opening pressure	[bar]	24	25	26	27	28	29	30	31	32	33	34	35
Volume flow	[m³/h]	362.5	375.5	390	404.5	419	433.4	448	462.4	476.9	491.5	505.9	520.4
Opening pressure	[bar]	36	37	38	39	40	41	42	43	44	45		
Volume flow	[m³/h]	534.9	549.4	563.9	578.4	592.9	607.4	621.9	636.3	650.9	665.3		

Version	Overall length [mm]		Inlet male thread (M)	Outlet female thread (F)	
	SV805	SV805A		SV805	SV805A
Brass	90	137	G 1/4; 1/4" NPT G 3/8; 3/8" NPT M16 x 1.5; M18 x 1.5	M24 x 1	1/2" NPT
	95	142	G 1/2; 1/2" NPT G 3/4; 3/4" NPT M20 x 1.5		
Stainless steel (ES)	96.5	143.5	G 1/4; 1/4" NPT; 1/4" VCR G 3/8; 3/8" NPT; 3/8" VCR M16 x 1.5; M18 x 1.5		
	101.5	148.5	G 1/2; 1/2" NPT; 1/2" VCR G 3/4; 3/4" NPT M20 x 1.5		

Adapter (for SV805) for connection to ventilation pipe at the outlet

Version	Adapter with O-ring seal	Order no.
Brass	M24 x 1 M - 1/2" NPT F	801.413600K
	M24 x 1 M - 3/4" NPT F	802.124900K
	M24 x 1 M - G 1/2 M with cone	802.069800K
Galvanised steel	M24 x 1 M - 1/2" NPT F	801.413703K
Stainless steel (ES)	M24 x 1 M - 1/2" NPT F	801.727800K