

**SAFETY RELIEF VALVE**

**SV809/809A 45.0 up to 100.0 bar**



SV809



SV809-ES



SV809A



SV809A-ES

**Spring loaded, direct acting safety relief valve for venting excess pressure from receivers, pipelines and other equipment.**

**Benefits**

- according to PED 97/23/EC, category IV, Module B and F
- individual opening pressure
- TÜV-certification of pressure setting
- available in brass or stainless steel (ES)
- may be mounted in any position / orientation
- compact size for easy, problem free installation
- range of inlet connections
- with / without condensation outlet
- protective dust cap
- SV809A (manual ventilation), for checking of safety function

- adapter for connection to ventilation pipe

**Approvals**

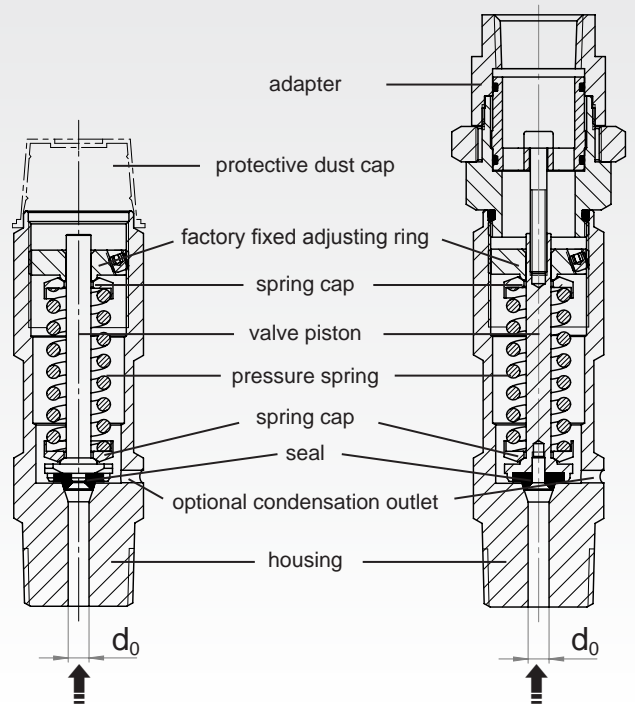
Manufactured and certified relating to EN ISO 4126-1  
 Company certified according to ISO 9001, ISO 14001 and PED 97/23/EC Module H  
 CE-marked according to:  
 - PED 97/23/EC

**Other models, options and accessories available on request.**

**Please identify the individual gases, temperature, opening pressure, inlet connection and with or without condensation outlet at the time of enquiring!**

Product Information

	SV809	SV809A
<b>Manual ventilation</b>	–	X
<b>Opening pressure</b>	> 45.0 up to 100.0 bar	
<b>Gases</b>	all technical gases for which PTFE (Teflon) is resistant to	
<b>Material</b>	housing and metal turned parts made of brass or stainless steel, pressure spring made of stainless steel, valve seal PTFE (Teflon) PVDF	
<b>Width across flats</b>	27 mm	
<b>Weight</b>	approx. 260 g	approx. 660 g
<b>Outlet</b>	M24 x 1 female	1/2" NPT
<b>Marking</b>	CE0045	
<b>Drill hole (d<sub>0</sub>)</b>	5.0 mm	
<b>Temperature range</b>	-196 °C/-321 °F up to approx. +150 °C/+302 °F (in accordance to gas and valve sealing)	
<b>Adapter</b>	for connection to ventilation pipe at the outlet	–



D01/F1 subject to change

Technical Data

**SAFETY RELIEF VALVE**
**Flow capacity for air at 23 °C / 73.4 °F (valid only for atmospheric back pressure)**

Opening pressure [bar]	46	47	48	49	50	51	52	53	54	55	56	57
Volume flow [m <sup>3</sup> /h]	12.6	13.2	13.9	14.8	15.9	17.1	18.5	20.1	21.8	23.7	25.7	27.8
Opening pressure [bar]	58	59	60	61	62	63	64	65	66	67	68	69
Volume flow [m <sup>3</sup> /h]	30.0	32.4	34.9	37.5	40.2	43.0	45.9	48.8	51.9	55.0	58.2	61.4
Opening pressure [bar]	70	71	72	73	74	75	76	77	78	79	80	81
Volume flow [m <sup>3</sup> /h]	64.7	68.1	71.4	74.9	78.3	81.8	85.3	88.8	92.3	95.8	99.3	102.8
Opening pressure [bar]	82	83	84	85	86	87	88	89	90	91	92	93
Volume flow [m <sup>3</sup> /h]	106.3	109.7	113.1	116.5	119.9	123.1	126.4	129.6	108.0	111.0	113.0	115.0
Opening pressure [bar]	94	95	96	97	98	99	100					
Volume flow [m <sup>3</sup> /h]	118.0	120.0	122.0	124.0	126.0	128.0	130.0					

Version	Overall length [mm]		Inlet male thread (M)	Outlet female thread (F)	
	SV809	SV809A		SV809	SV809A
Brass	90	137	G 1/4; 1/4" NPT G 3/8; 3/8" NPT M16 x 1.5; M18 x 1.5	M24 x 1	1/2" NPT
	95	142	G 1/2; 1/2" NPT G 3/4; 3/4" NPT M20 x 1.5		
Stainless steel (ES)	96.5	143.5	G 1/4; 1/4" NPT; 1/4" VCR G 3/8; 3/8" NPT; 3/8" VCR M16 x 1.5; M18 x 1.5		
	101.5	148.5	G 1/2; 1/2" NPT; 1/2" VCR G 3/4; 3/4" NPT M20 x 1.5		

**Adapter (for SV809)** for connection to ventilation pipe at the outlet

Version	Adapter with O-ring seal	Order no.
Brass	M24 x 1 M - 1/2" NPT F	801.413600K
	M24 x 1 M - 3/4" NPT F	802.124900K
	M24 x 1 M - G 1/2 M with cone	802.069800K
Galvanised steel	M24 x 1 M - 1/2" NPT F	801.413703K
Stainless steel (ES)	M24 x 1 M - 1/2" NPT F	801.727800K