

VARIANT® VG

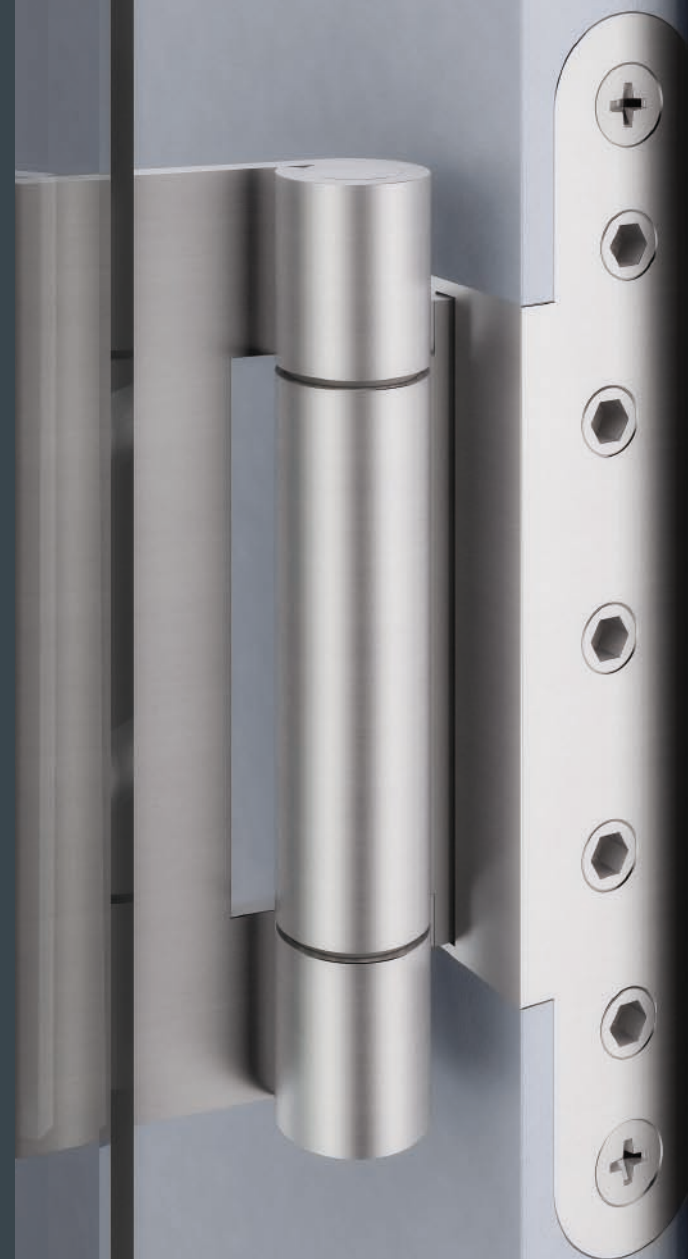


SIMONSWERK
VARIANT® VG

The hinge system for
glass doors

INDEX

| | | | |
|-------------------------|-----------|-------------|-----------|
| VG 3990 K | rebated | up to 60 kg | 4 |
| VG 4790 K | rebated | up to 60 kg | 5 |
| VG 8790 K | rebated | up to 60 kg | 6 |
| VNG 7990/100 K | rebated | up to 60 kg | 7 |
| VXG 7990/100 K N | rebated | up to 60 kg | 8 |
| VNG 7990/120 K | rebated | up to 80 kg | 9 |
| VXG 7990/120 K | rebated | up to 80 kg | 10 |
| VNG 7780/100 | unrebated | up to 60 kg | 11 |
| VNG 7780/100 K N | unrebated | up to 60 kg | 12 |
| VNG 7780/120 | unrebated | up to 80 kg | 13 |
| VXG 7780/120 K | unrebated | up to 80 kg | 14 |
| VG 4400 UF | Retrofit | 40kg | 15 |
| VG 4400 UB | Retrofit | 40kg | 16 |
| VG 8000 U | Retrofit | 40kg | 17 |
| Drilling jigs | | | 18 |
| Dimension sheets | | | 19 |



Transparency in heavy-duty and residential use

»VARIANT VG« – Quite clear: The hinge system for glass doors

Glass doors provide greater insight, better perspective and genuine rays of light within modern interior decor and design. That's why they are becoming increasingly popular in both the heavy duty and domestic sector. With the VARIANT VG product series, SIMONSWERK has a hinge system that has been specifically developed for this application area, meeting the requirements for quality, security and performance for glass door systems.

VARIANT VG hinges offer the right hinge system with the appropriate look to suit every taste. Available in a variety of versions, you can find a perfect match to suit the appearance of the respective glass door and handle set. From the universal VARIANT VG hinge for domestic doors through to the VARIANT VXG and VARIANT VNG product series, the appropriate hinge system is available for each intended application and load requirement.

VARIANT VG offers the right solutions for glass doors incorporating the high-performance features that are characteristic of the VARIANT brand.

SIMONSWERK VARIANT® VG

VG 3990 K

for glass doors with rebated casing and block frames

rebated up to 60 kg

Technical data

| | |
|--------------------|---------|
| Load capacity | 60,0 kg |
| Hinge size | 95,0 mm |
| Knuckle diameter | 18,0 mm |
| Material thickness | 3,5 mm |

Descriptive text

SIMONSWERK VARIANT VG 3990 K heavy-duty hinge for glass doors with rebated casing and block frames in square-edged design for SIMONSWERK VARIANT V receivers. Intended for glass doors with vertical standard hole pattern, for glass thicknesses of 8 and 10 mm. Load value 60 kg, coil length 95 mm, coil diameter 18 mm. Torsion-proof screw pin, concealed, maintenance-free axial-radial slide bearing. Finish...

Combination

| | | |
|----------|--------------|--|
| Receiver | Block frame | Clamping block series V 36.. Clamp V 3605 |
| | Casing frame | Hinge pocket series V 36.. |

For detailed information regarding receivers please visit www.bandsysteme.de

Finishes

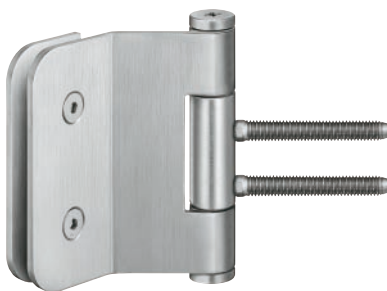
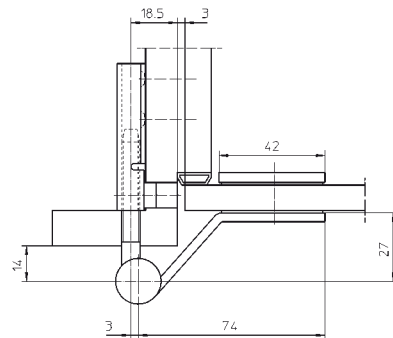
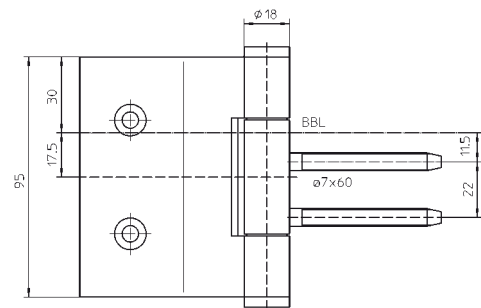
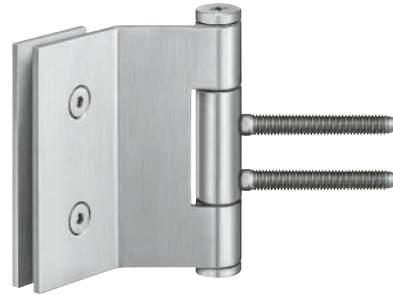
matt-chromed/F1, Matt brushed stainless steel

Note

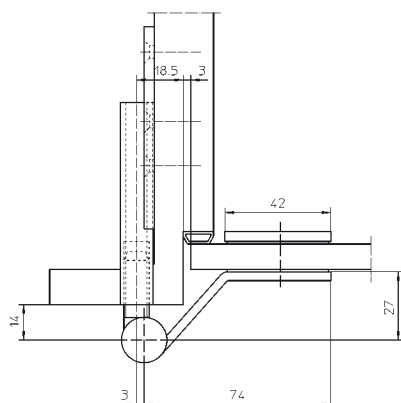
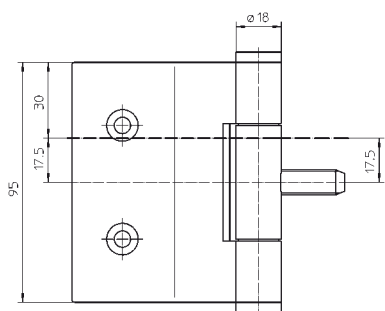
We recommend the additional installation of reinforcement plates V 3610 or V 3690 on casing frames.

Observe DIN direction.

Model variant



VG 3990, rounded corners



VG 4790 K

for glass doors with rebated casing frames

rebated

up to 60 kg

Technical data

| | |
|--------------------|---------|
| Load capacity | 60,0 kg |
| Hinge size | 95,0 mm |
| Knuckle diameter | 18,0 mm |
| Material thickness | 3,5 mm |

Descriptive text

SIMONSWERK VARIANT VG 4790 K heavy-duty hinge for glass doors with rebated casing frames in square-edged design for SIMONSWERK VARIANT V 4600 receivers. Intended for glass doors with vertical standard hole pattern, for glass thicknesses of 8 and 10 mm. Load value 60 kg, coil length 95 mm, coil diameter 18 mm. Usable DIN right and left handed Torsion-proof screw pin, concealed, maintenance-free axial-radial slide bearing. Finish...

Combination

Receiver V 4600

For detailed information regarding receivers please visit www.bandsysteme.de

Finishes

matt-chromed/F1, Matt brushed stainless steel

Model variant



VG 4790, rounded corners

SIMONSWERK VARIANT® VG

VG 8790 K

for glass doors with rebated steel frames

rebated up to 60 kg

Technical data

| | |
|--------------------|---------|
| Load capacity | 60,0 kg |
| Hinge size | 95,0 mm |
| Knuckle diameter | 18,0 mm |
| Material thickness | 3,5 mm |

Descriptive text

SIMONSWERK VARIANT VG 8790 K heavy-duty hinge for glass doors with rebated steel frames in square-edged design for SIMONSWERK VARIANT V 8600 and VARIANT V 8610 receivers. Intended for glass doors with vertical standard hole pattern, for glass thicknesses of 8 and 10 mm. Load value 60 kg, coil length 95 mm, coil diameter 18 mm, usable DIN right and left handed. Torsion-proof screw pin, concealed, maintenance-free axial-radial slide bearing. Finish...

Combination

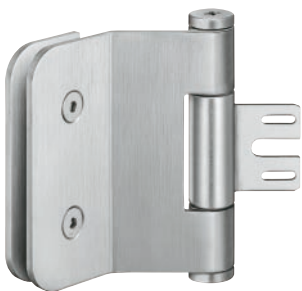
Receiver Back weld pocket V 8600
V 8610

For detailed information regarding receivers please visit www.bandsysteme.de

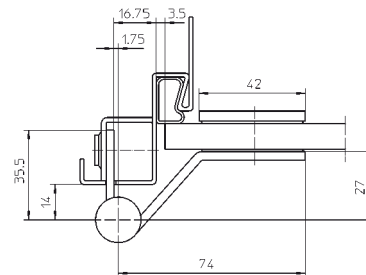
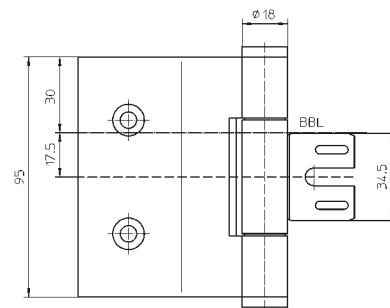
Finishes

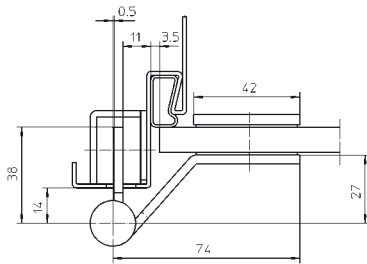
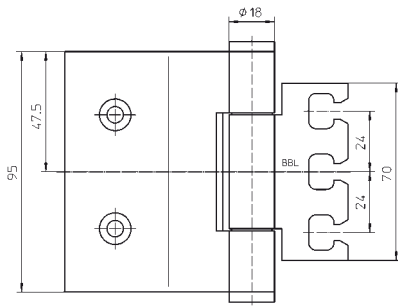
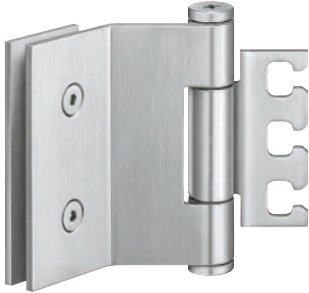
matt-chromed/F1, Matt brushed stainless steel

Model variant



VG 8790, rounded corners





VNG 7990/100 K

for glass doors with rebated steel frames

rebated

up to 60 kg

Technical data

| | |
|--------------------|---------|
| Load capacity | 60,0 kg |
| Hinge size | 95,0 mm |
| Knuckle diameter | 18,0 mm |
| Material thickness | 3,5 mm |

Descriptive text

SIMONSWERK VARIANT VNG 7990/100 K heavy duty hinge for glass doors with rebated steel frames in square-edged design with three-dimensionally adjustable SIMONSWERK VARIANT VN 7608/120 3D receiver. Intended for glass doors with vertical standard drill template, for glass strengths of 8 and 10 mm. Load value 60 kg, coil length 95 mm, coil diameter 18 mm, usable DIN right and left handed. Torsion-proof screw pin, concealed, maintenance-free axial-radial slide bearing. Finish...

Combination

Receiver VN 7608/120 3D

For detailed information regarding receivers please visit www.bandsysteme.de

Finishes

matt-chromed/F1, Matt brushed stainless steel

Model variant



VG 7990/100, rounded corners

SIMONSWERK VARIANT® VG

VXG 7990/100 K N

for glass doors with rebated wooden, steel or aluminium frames

rebated up to 60 kg

Technical data

| | |
|--------------------|---------|
| Load capacity | 60,0 kg |
| Hinge size | 95,0 mm |
| Knuckle diameter | 20,0 mm |
| Material thickness | 3,5 mm |

Descriptive text

SIMONSWERK VARIANT VXG 7990/100 K N heavy duty hinge for glass doors with rebated timber, steel or aluminium frames with square-edged design for three-dimensionally adjustable SIMONSWERK VARIANT VX receivers. Intended for glass doors with vertical standard drill template, for glass strengths of 8 and 10 mm. Load value 60 kg, coil length 95 mm, coil diameter 20 mm, usable DIN right and left handed. Inlying torsion-proof screw pin, concealed, maintenance-free axial-radial slide bearing. Finish...

Combination

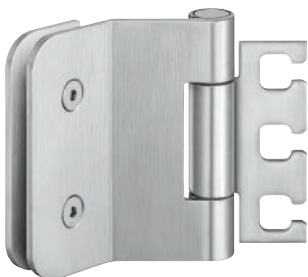
| | | |
|-----------------|-------------|------------|
| Receiver | Block frame | VX 2501 3D |
| | | VX 7501 3D |
| Casing frame | | VX 2502 3D |
| | | VX 7502 3D |
| Blind frame | | VX 2505 3D |
| | | VX 7505 3D |
| Steel frame | | VX 7611 3D |
| | | VX 7612 3D |
| Aluminium frame | | VX 7521 3D |

For detailed information regarding receivers please visit www.bandsysteme.de

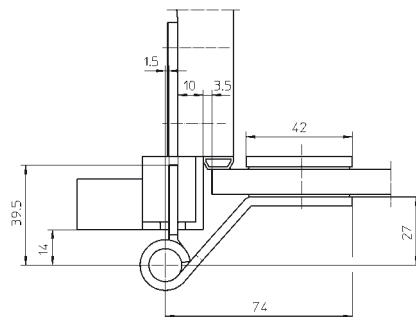
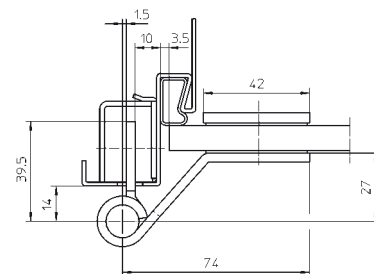
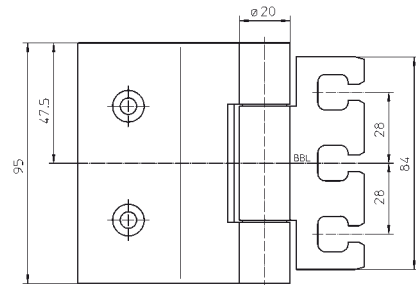
Finishes

matt-chromed/F1, Matt brushed stainless steel

Model variant



VXG 7990/100 N, rounded corners





VNG 7990/120 K

for glass doors with rebated steel frames

| | | |
|---------|--|-------------|
| rebated | | up to 80 kg |
|---------|--|-------------|

Technical data

| | |
|--------------------|----------|
| Load capacity | 80,0 kg |
| Hinge size | 120,0 mm |
| Knuckle diameter | 20,0 mm |
| Material thickness | 3,5 mm |

Descriptive text

SIMONSWERK VARIANT VNG 7990/120 K heavy duty hinge for glass doors with rebated steel frames in square-edged design with three-dimensionally adjustable SIMONSWERK VARIANT VN 7608/120 3D receiver. Intended for glass doors with vertical standard drill template, for glass strengths of 8 and 10 mm. Load value 80 kg, coil length 120 mm, coil diameter 20 mm, usable DIN right and left handed. Inlying torsion-proof screw pin, concealed, maintenance-free axial-radial slide bearing. Finish...

Combination

| | |
|----------|----------------|
| Receiver | VN 7608/120 3D |
|----------|----------------|

For detailed information regarding receivers please visit www.bandsysteme.de

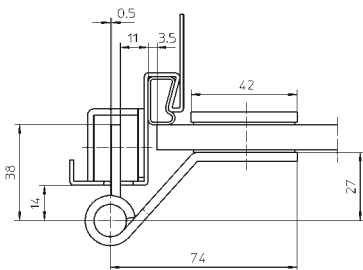
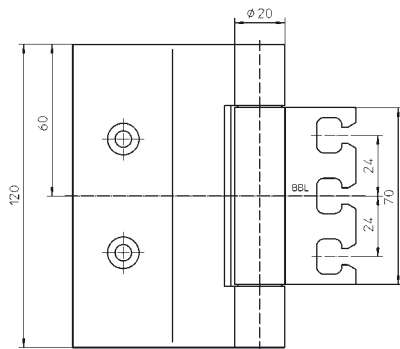
Finishes

matt-chromed/F1, Matt brushed stainless steel

Model variant



VG 7990/120, rounded corners



SIMONSWERK VARIANT® VG

VXG 7990/120 K

for glass doors with rebated wooden, steel or aluminium frames

rebated up to 80 kg

Technical data

| | |
|--------------------|----------|
| Load capacity | 80,0 kg |
| Hinge size | 120,0 mm |
| Knuckle diameter | 20,0 mm |
| Material thickness | 3,5 mm |

Descriptive text

SIMONSWERK VARIANT VXG 7990/120 K heavy duty hinge for glass doors with rebated timber, steel or aluminium frames with square-edged design for three-dimensionally adjustable SIMONSWERK VARIANT VX receivers. Intended for glass doors with vertical standard drill template, for glass strengths of 8 and 10 mm. Load value 80 kg, coil length 120 mm, coil diameter 20 mm, usable DIN right and left handed. Inlying torsion-proof screw pin, concealed, maintenance-free axial-radial slide bearing. Finish...

Combination

| | | |
|-----------------|-------------|------------|
| Receiver | Block frame | VX 2501 3D |
| | | VX 7501 3D |
| Casing frame | | VX 2502 3D |
| | | VX 7502 3D |
| Blind frame | | VX 2505 3D |
| | | VX 7505 3D |
| Steel frame | | VX 7611 3D |
| | | VX 7612 3D |
| Aluminium frame | | VX 7521 3D |

For detailed information regarding receivers please visit www.bandsysteme.de

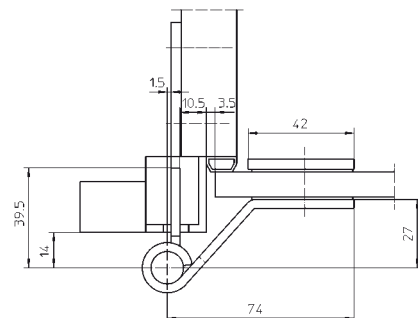
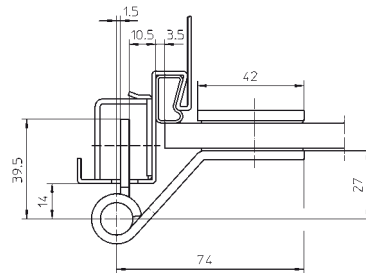
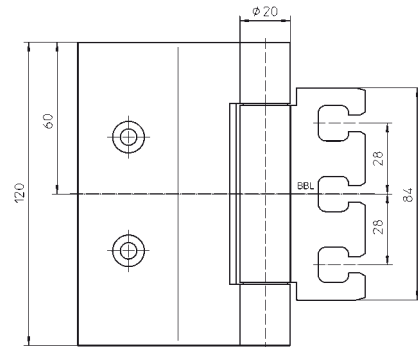
Finishes

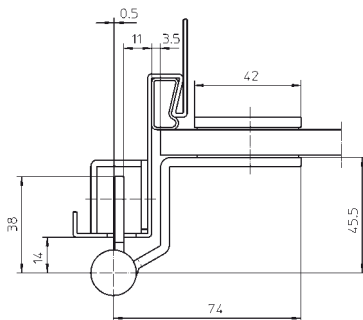
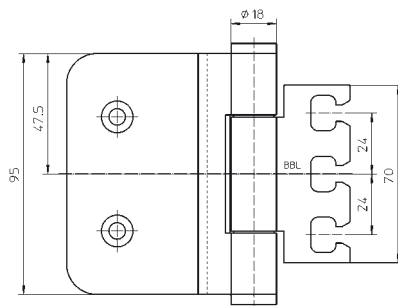
matt-chromed/F1, Matt brushed stainless steel

Model variant



VXG 7990/120, rounded corners





VNG 7780/100

for glass doors with unrebated steel frames

unrebated

up to 60 kg

Technical data

| | |
|--------------------|---------|
| Load capacity | 60,0 kg |
| Hinge size | 95,0 mm |
| Knuckle diameter | 18,0 mm |
| Material thickness | 3,5 mm |

Descriptive text

SIMONSWERK VARIANT VNG 7780/100 heavy duty hinge for glass doors with unrebated steel frames for three-dimensionally adjustable SIMONSWERK VARIANT VN 7608/120 3D receiver. Intended for glass doors with vertical standard drill template, for glass strengths of 8 and 10 mm. Load value 60 kg, coil length 95 mm, coil diameter 18 mm, usable DIN right and left handed. Torsion-proof screw pin, concealed, maintenance-free axial-radial slide bearing. Finish...

Combination

Receiver VN 7608/120 3D

For detailed information regarding receivers please visit www.bandsysteme.de

Finishes

Matt brushed stainless steel

SIMONSWERK VARIANT® VG

VXG 7780/100 K N

for glass doors with unrebated wooden, steel or aluminium frames

unrebated up to 60 kg

Technical data

| | |
|--------------------|---------|
| Load capacity | 60,0 kg |
| Hinge size | 95,0 mm |
| Knuckle diameter | 20,0 mm |
| Material thickness | 3,5 mm |

Descriptive text

SIMONSWERK VARIANT VXG 7780/100 K N heavy duty hinge for glass doors with unrebated wooden, steel or aluminium frames with square-edged design for three-dimensionally adjustable SIMONSWERK VARIANT VX receivers. Intended for glass doors with vertical standard drill template, for glass strengths of 8 and 10 mm. Load value 60 kg, coil length 95 mm, coil diameter 20 mm, usable DIN right and left handed. Inlying torsion-proof screw pin, concealed, maintenance-free axial-radial slide bearing. Finish...

Combination

| | | |
|-----------------|-------------|------------|
| Receiver | Block frame | VX 2501 3D |
| | | VX 7501 3D |
| Casing frame | | VX 2502 3D |
| | | VX 7502 3D |
| Blind frame | | VX 2505 3D |
| | | VX 7505 3D |
| Steel frame | | VX 7611 3D |
| | | VX 7612 3D |
| Aluminium frame | | VX 7521 3D |

For detailed information regarding receivers please visit www.bandsysteme.de

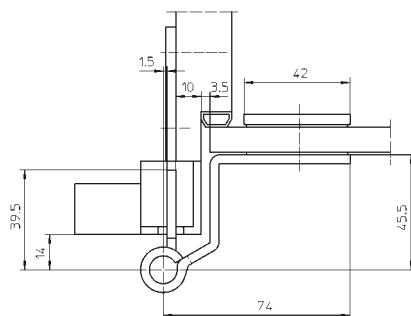
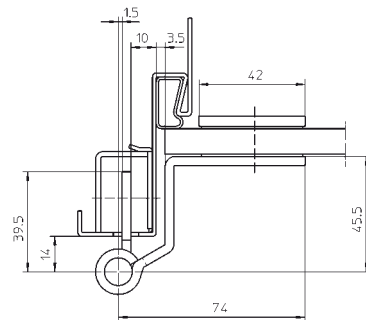
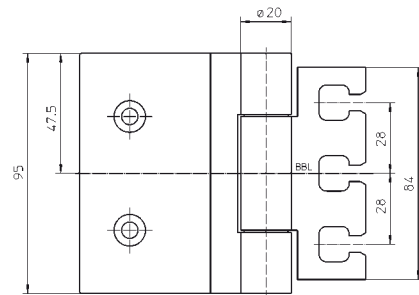
Finishes

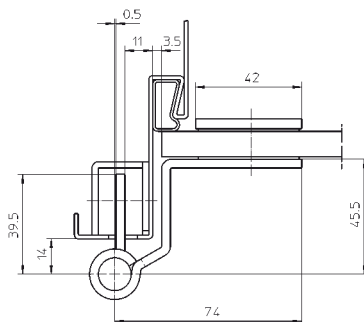
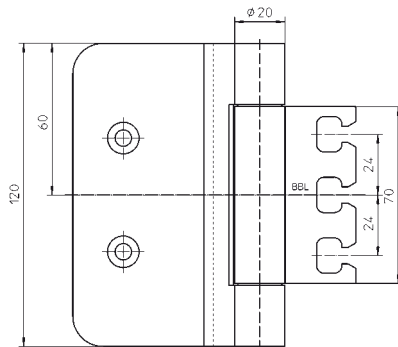
Matt brushed stainless steel

Model variant



VXG 7780/100 N, rounded corners





VNG 7780/120

for glass doors with unrebated steel frames

| | | |
|-----------|--|-------------|
| unrebated | | up to 80 kg |
|-----------|--|-------------|

Technical data

| | |
|--------------------|----------|
| Load capacity | 80,0 kg |
| Hinge size | 120,0 mm |
| Knuckle diameter | 20,0 mm |
| Material thickness | 3,5 mm |

Descriptive text

SIMONSWERK VARIANT VNG 7780/120 heavy duty hinge for glass doors with unrebated steel frames for three-dimensionally adjustable SIMONSWERK VARIANT VN 7608/120 3D receiver. Intended for glass doors with vertical standard drill template, for glass strengths of 8 and 10 mm. Load value 80 kg, coil length 120 mm, coil diameter 20 mm, usable DIN right and left handed. Inlying torsion-proof screw pin, concealed, maintenance-free axial-radial slide bearing. Finish...

Combination

| | |
|----------|----------------|
| Receiver | VN 7608/120 3D |
|----------|----------------|

For detailed information regarding receivers please visit www.bandsysteme.de

Finishes

Matt brushed stainless steel

SIMONSWERK VARIANT® VG

VXG 7780/120 K

for glass doors with unrebated wooden, steel or aluminium frames

unrebated up to 80 kg

Technical data

| | |
|--------------------|----------|
| Load capacity | 80,0 kg |
| Hinge size | 120,0 mm |
| Knuckle diameter | 20,0 mm |
| Material thickness | 3,5 mm |

Descriptive text

SIMONSWERK VARIANT VXG 7780/120 K heavy duty hinge for glass doors with unrebated timber, steel or aluminium frames with square-edged design for three-dimensionally adjustable SIMONSWERK VARIANT VX receivers. Intended for glass doors with vertical standard drill template, for glass strengths of 8 and 10 mm. Load value 80 kg, coil length 120 mm, coil diameter 20 mm, usable DIN right and left handed. Inlying torsion-proof screw pin, concealed, maintenance-free axial-radial slide bearing. Finish...

Combination

| | | |
|-----------------|-------------|------------|
| Receiver | Block frame | VX 2501 3D |
| | | VX 7501 3D |
| Casing frame | | VX 2502 3D |
| | | VX 7502 3D |
| Blind frame | | VX 2505 3D |
| | | VX 7505 3D |
| Steel frame | | VX 7611 3D |
| | | VX 7612 3D |
| Aluminium frame | | VX 7521 3D |

For detailed information regarding receivers please visit www.bandsysteme.de

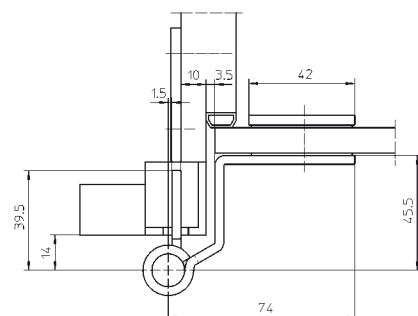
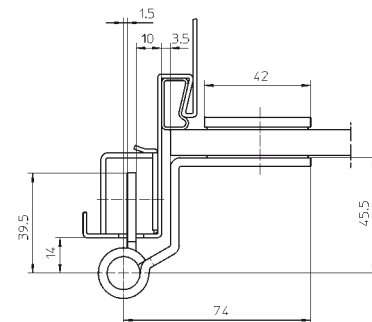
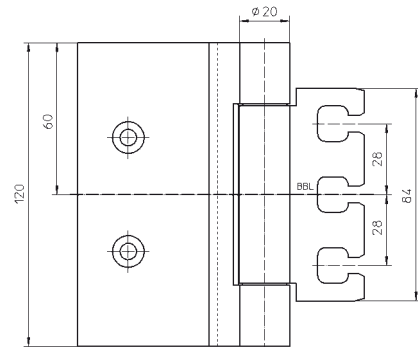
Finish

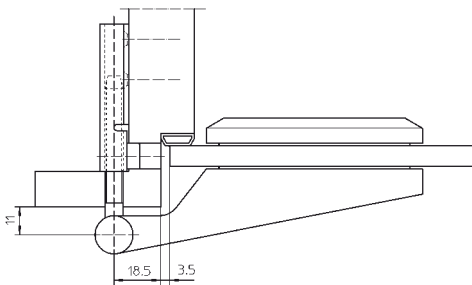
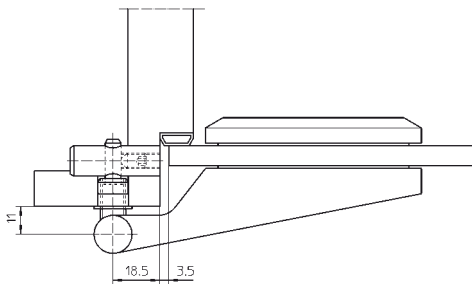
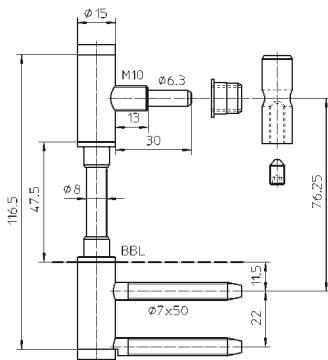
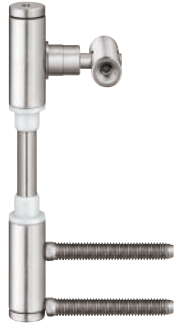
Matt brushed stainless steel

Model variant



VXG 7780/120, rounded corners





VG 4400 UF

as a retrofit set for glass doors with casing frames

| | | |
|-----------------|--|--------------------|
| Retrofit | | up to 40 kg |
|-----------------|--|--------------------|

Technical data

| | |
|------------------|----------|
| Load capacity | 40,0 kg |
| Hinge size | 120,0 mm |
| Knuckle diameter | 15,0 mm |

Descriptive text

SIMONSWERK VARIANT VG 4400 UF frame part as retrofit set for glass doors with casing frames for SIMONSWERK VARIANT V 36... receiver series and VARIANT V 3607 clamping block. Even force distribution on the hinge axis is provided by the three-part design. Load value 40 kg, coil length 120 mm, coil diameter 15 mm, usable DIN right and left handed. Finish...

Combination

| | |
|----------|---|
| Receiver | Hinge pocket series V 36.. Clamping block V 3607 |
|----------|---|

For detailed information regarding receivers please visit www.bandsysteme.de

To be fitted with

| | |
|-----|---------------------------------|
| Jig | Drilling jig VARIANT VG 4400 UF |
|-----|---------------------------------|

see page 18

Finish

Galvanised

Accessories



Decorative cap, plastic, no. 1



Decorative cap, light alloy, no. 4

SIMONSWERK VARIANT® VG

VG 4400 UB

as a retrofit set for glass doors with block frames

Retrofit **up to 40 kg**

Technical data

| | |
|------------------|----------|
| Load capacity | 40,0 kg |
| Hinge size | 120,0 mm |
| Knuckle diametre | 15,0 mm |

Descriptive text

SIMONSWERK VARIANT VG 4400 UB frame part as retrofit set for glass doors with block frames for SIMONSWERK V 36.. clamping block series and V 3605 clamp. Even force distribution on the hinge axis is provided by the three-part design. Load value 40 kg, coil length 120 mm, coil diameter 15 mm, usable DIN right and left handed. Finish...

Combination

Receiver Clamping block series V 36..
Clamp V 3605

For detailed information regarding receivers please visit www.bandsysteme.de

To be fitted with

Jig Drilling jig VARIANT VG 4400 UB
see page 18

Finish

Galvanised

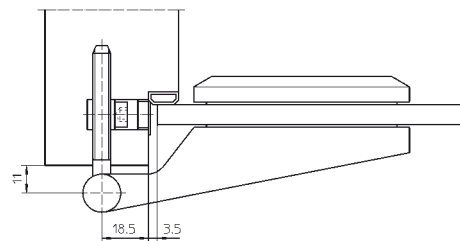
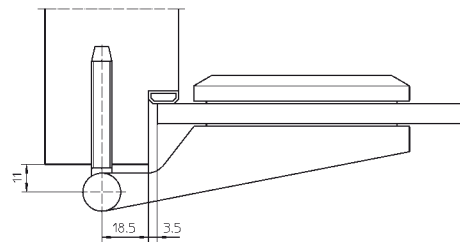
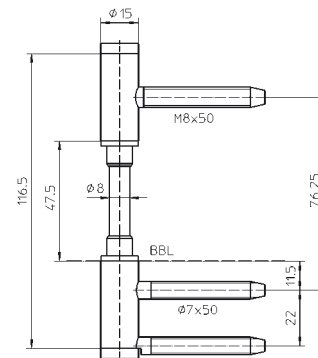
Accessories

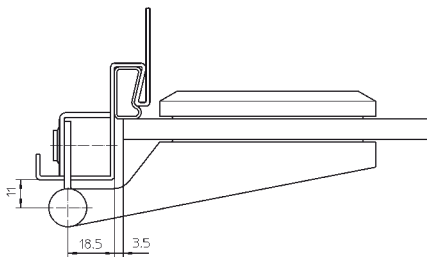
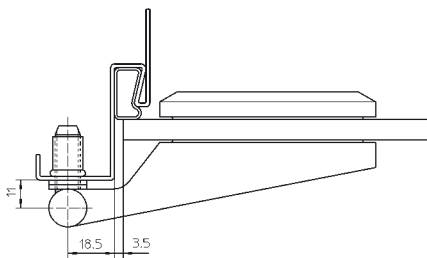
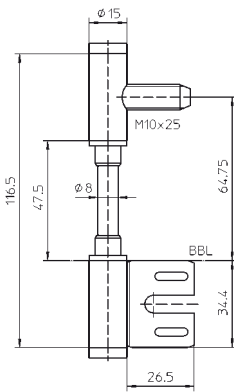


Decorative cap, plastic, no. 1



Decorative cap, light alloy, no. 4





VG 8000 U

as a retrofit set for glass doors with steel frames

| | | |
|-----------------|--|--------------------|
| Retrofit | | up to 40 kg |
|-----------------|--|--------------------|

Technical data

| | |
|------------------|----------|
| Load capacity | 40,0 kg |
| Hinge size | 120,0 mm |
| Knuckle diameter | 15,0 mm |

Descriptive text

SIMONSWERK VARIANT VG 8000 U frame part as retrofit set for glass doors with steel frames for SIMONSWERK VARIANT V 8600 back weld pocket, VARIANT V 8610 and M10 blind rivet nut. Even distribution of force on the hinge axis through three-part design. Load value 40 kg, coil length 120 mm, coil diameter 15 mm, usable DIN right and left handed. Finish...

Combination

| | |
|----------|--|
| Receiver | Back weld pocket V 8600 V 8610 Blind rivet nut M10 |
|----------|--|

For detailed information regarding receivers please visit www.bandsysteme.de

To be fitted with

| | | |
|-------------|--------------|-------------------|
| Jig | Drilling jig | VARIANT VG 8000 U |
| see page 18 | | |

Finish

Galvanised

Accessories



Decorative cap, plastic, no. 1



Decorative cap, light alloy, no. 4

Drilling jig VG 4400 UF

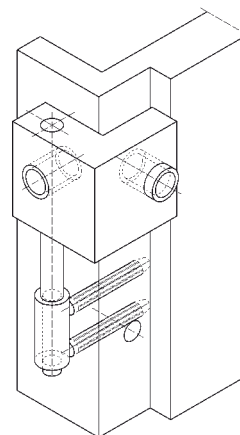
This drilling jig can be used to drill the holes for a second hinge receiver (rebate fastening) on an on-site casing frame with glass door.

Usable for

VG 4400 UF

The complete jig comprises

- 1 drilling jig
- 1 12 mm bit
- 1 fitting instruction



Drilling jig VG 8000 U

This drilling jig can be used to drill the holes for a second hinge receiver (blind rivet nut) on an on-site steel frame with glass door.

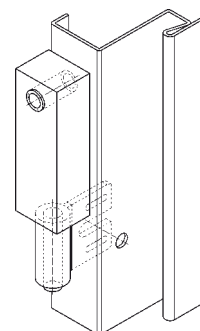
Usable for

VG 4400 UB

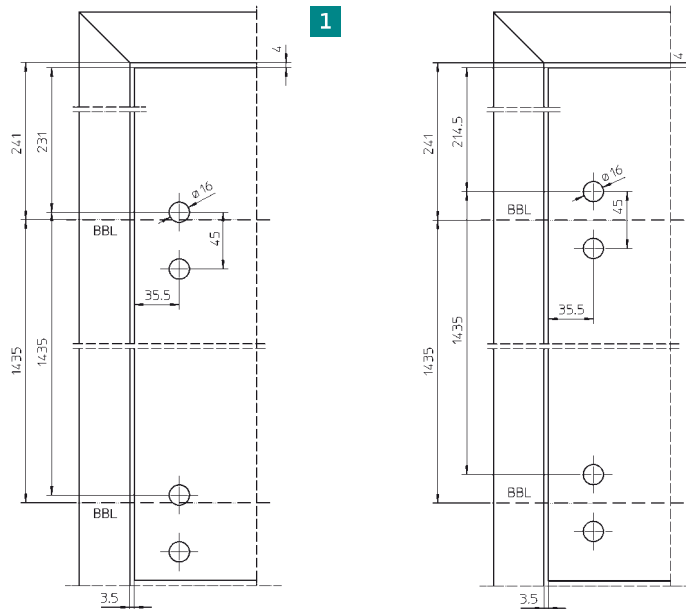
VG 8000 U

The complete jig comprises

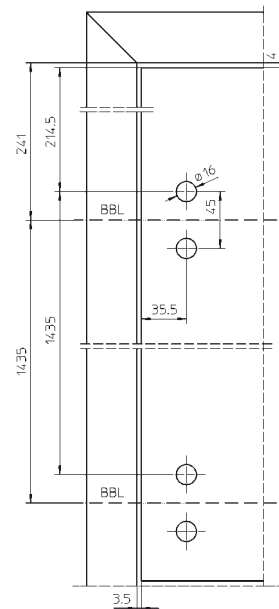
- 1 drilling jig
- 1 16.8 mm bit
- 1 12,1 mm bit
- 1 fitting instruction



HINGE REFERENCE LINE



1



2

DIMENSION SHEETS

VARIANT VG

HEAVY DUTY DOOR / INTERIOR DOOR

Glass door hinge, 3-section, with receiver V 36..., V 4600, V 86...

1

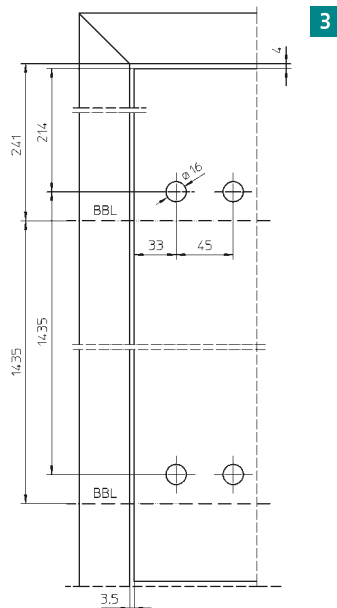
Glass door hinge, 3-section, with receiver VN 7608/120 3D, VX 25..., VX 75..., VX 7611 3D

2

FOR RETROFITTING

Retrofit hinges with receiver V 36..., V 86...

3



3

CONTAINS

SIMONSWERK VARIANT® VG

| | | | |
|---------|----------|----------|------------|
| VG 3990 | VNG 7990 | VXG 7990 | VG 4400 UF |
| VG 4790 | VNG 7780 | VXG 7780 | VG 4400 UB |
| VG 8790 | | | VG 8000 U |

FURTHER BRANDS MADE BY SIMONSWERK

SIMONSWERK TECTUS®

SIMONSWERK VARIANT® VX

SIMONSWERK VARIANT® VN

SIMONSWERK VARIANT® V

SIMONSWERK BAKA®

SIMONSWERK SIKU®

SIMONSWERK ALPRO®

Brochure VARIANT® VG

04/2011
5 800274 0 00001/1.0

SIMONSWERK do not accept responsibility for misprints and subsequent specification changes although every effort has been made to avoid any errors during preparation of this brochure.

OUR PRODUCT INFORMATION SYSTEM www.bandsysteme.com

SIMONSWERK GmbH

Bosfelder Weg 5
33378 Rheda-Wiedenbrück
Germany

Fon +49 (0)5242 / 413-0
Fax +49 (0)5242 / 413-260

sales@simonswerk.de
www.simonswerk.com
www.bandsysteme.com