

# Conveyor Accessories Direct Ltd

*Issue No 2*

***Buy Direct from the Manufactures***



**Full On-Line Ordering**  
**[www.cad1.co.uk](http://www.cad1.co.uk)**

- **Low Low Prices**
- **Very Large Stocks**
- **Full on-line Secure Ordering**
- **Next Working Day Delivery**  
**On Orders placed before 1 PM**

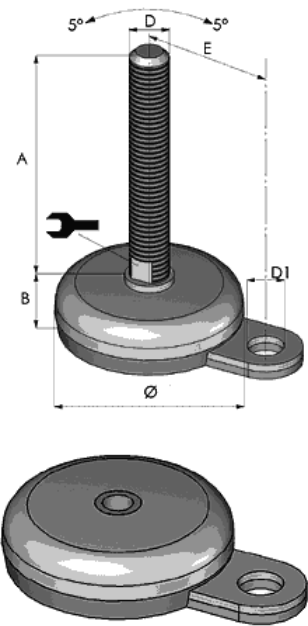
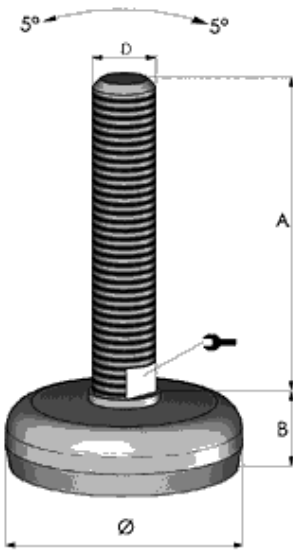
16 James Watt Close, Drayton Fields Industrial Estate, Daventry, Northants, NN11 8RJ

**Tel: 01327-311122**

**Email: [sales@cad1.co.uk](mailto:sales@cad1.co.uk)**

**Fax: 01327-314188**

# All Stainless Steel levelling mounts with anti-slip rubber base



**Stems:** Stainless Steel (303 Grade)

**Bases:** Stainless Steel cover (303 Grade) with nitrile rubber pad.

**Bolt holes Type:** 75mm E = 52mm with 15mm hole 100mm E = 67mm with 15mm hole

## Application:

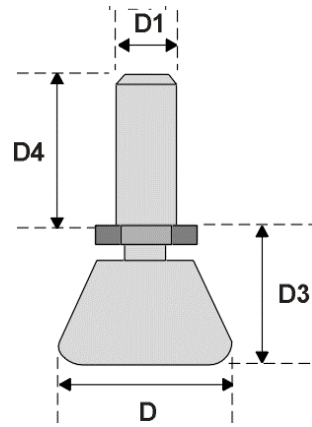
This levelling foot is mainly used in the food & Pharmaceutical Industries where looks are important & slight anti-vibration or anti-slip foot is needed.

**Please Note: No Lock Nuts are supplied**

For Up To Date Prices Please go to [www.cad1.co.uk](http://www.cad1.co.uk) : Web site part search: **Stainless-Rubber**

Part Number	Base Type	Thread Size D	Thread Length A	Base Size O	Overall Height A + B	Max Load Rating	For Up to date Prices Please go to <a href="http://www.cad1.co.uk">www.cad1.co.uk</a>
SRB 10x35x40	Conical	10mm	51mm	40mm	71mm	250 kg	
SRB 10x75x40	Conical	10mm	105mm	40mm	125mm	250 kg	
SRB 10x140x40	Conical	10mm	147mm	40mm	167mm	250 kg	
SRB 10x35x50	Conical	10mm	51mm	50mm	72mm	400 kg	
SRB 10x140x50	Conical	10mm	105mm	50mm	126mm	400 kg	
SRB 10x140x50	Conical	10mm	147mm	50mm	168mm	400 kg	
SRB 12x100x40	Conical	12mm	125mm	40mm	145mm	400 kg	
SRB 12x150x40	Conical	12mm	180mm	40mm	200mm	400 kg	
SRB 12x100x50	Conical	12mm	125mm	50mm	146mm	400 kg	
SRB 12x150x50	Conical	12mm	180mm	50mm	201mm	400 kg	
SRB 12x100x75	Conical or Bolt/Down	12mm	125mm	75mm	147mm	750 kg	
SRB 12x150x75	Conical or Bolt/Down	12mm	180mm	75mm	202mm	750 kg	
SRB 16x120x50	Conical	16mm	143mm	50mm	164mm	400 kg	
SRB 16x150x50	Conical	16mm	176mm	50mm	197mm	400 kg	
SRB 16x120x75	Conical or Bolt/Down	16mm	143mm	75mm	165 mm	1000 kg	
SRB 16x150x75	Conical or Bolt/Down	16mm	176mm	75mm	198 mm	1000 kg	
SRB 16x200x75	Conical or Bolt/Down	16mm	226mm	75mm	248 mm	1000 kg	
SRB 16x120x100	Conical or Bolt/Down	16mm	143mm	100mm	175 mm	1000 kg	
SRB 16x150x100	Conical or Bolt/Down	16mm	176mm	100mm	208 mm	1000 kg	
SRB 16x200x100	Conical or Bolt/Down	16mm	226mm	100mm	258 mm	1000 kg	
SRB 20x150x75	Conical or Bolt/Down	20mm	176mm	75mm	198mm	1000 kg	
SRB 20x200x75	Conical or Bolt/Down	20mm	226mm	75mm	248mm	1000 kg	
SRB 20x150x100	Conical or Bolt/Down	20mm	176mm	100mm	208mm	1000 kg	
SRB 20x200x100	Conical or Bolt/Down	20mm	226mm	100mm	258mm	1000 kg	

# *Mild Steel & Stainless Steel Stems With 25mm Plastic Bases*



**Stems:** Mild Steel BZP or Stainless steel (303 Grade )  
articulates 15°

**Bases:** Polypropylene black or white conical

**Application:**

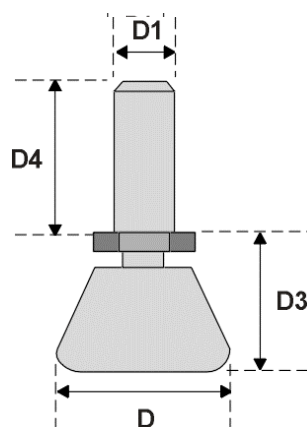
Mainly used on light weight benches and display cabinets & small machinery

**Please Note: No Lock Nuts are supplied**

For Up To Date Prices Please go to [www.cad1.co.uk](http://www.cad1.co.uk) : Web site part search: **Plastic-Bases**

Order Codes For Phone Orders	Base colour	Load Rating	D	D1	D3	D4	For Up to date Prices Please go to <a href="http://www.cad1.co.uk">www.cad1.co.uk</a>
<b><i>Mild Steel Bzp Stems</i></b>							
BZPT 6x25x25	Black or White	50kg	25	6	20	25	
BZPT 8x25x25	Black or White	50kg	25	8	20	25	
BZPT 8x60x25	Black or White	50kg	25	8	20	60	
BZPT 8x100x25	Black or White	50kg	25	8	20	100	
BZPT 10x37x25	Black or White	50kg	25	10	20	60	
BZPT 10x50x25	Black or White	50kg	25	10	20	50	
BZPT 10x100x25	Black or White	50kg	25	10	20	100	
BZPT 12x50x25	Black or White	50kg	25	12	20	50	
BZPT 12x100x25	Black or White	50kg	25	12	20	100	
<b><i>Stainless Steel Stems</i></b>							
FPBM 8x30x25	Black or White	50kg	25	8	24	30	
FPBM 8x60x25	Black or White	50kg	25	8	24	60	
FPBM 10x40x25	Black or White	50kg	25	10	24	40	
FPBM 10x60x25	Black or White	50kg	25	10	24	60	
FPBM 10x75x25	Black or White	50kg	25	10	24	75	
FPBM 10x100x25	Black or White	50kg	25	10	24	100	
FPBM 10x170x25	Black or White	50kg	25	10	24	170	
FPBM 12x115x25	Black or White	50kg	25	12	24	100	
FPBM 12x170x25	Black or White	50kg	25	12	24	170	

# *Mild Steel & Stainless Steel Stems With 32mm Plastic Bases*



**Stems:** Mild Steel BZP or Stainless steel (303 Grade )  
articulates 15°

**Bases:** Polypropylene black or white conical

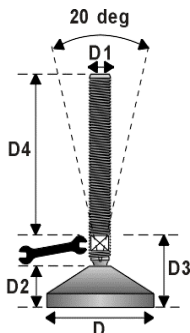
Application:  
Mainly used on light weight benches and  
display cabinets & small machinery

**Please Note: No Lock Nuts are supplied**

For Up To Date Prices Please go to [www.cad1.co.uk](http://www.cad1.co.uk) : Web site part search: **Plastic-Base**

Order Codes For Phone Orders	Base Colour	Load Rating	D	D1	D3	D4	For Up to date Prices Please go to <a href="http://www.cad1.co.uk">www.cad1.co.uk</a>
<b><i>Mild Steel Bzp Stems</i></b>							
BZPT 6x25x32	Black or White	75kg	32	6	20	25	
BZPT 8x25x32	Black or White	75kg	32	8	20	25	
BZPT 8x60x32	Black or White	75kg	32	8	20	60	
BZPT 8x100x32	Black or White	75kg	32	8	20	100	
BZPT 10x37x32	Black or White	75kg	32	10	20	60	
BZPT 10x50x32	Black or White	75kg	32	10	20	50	
BZPT 10x100x32	Black or White	75kg	32	10	20	100	
BZPT 12x50x32	Black or White	75kg	32	12	20	50	
BZPT 12x100x32	Black or White	75kg	32	12	20	100	
<b><i>Stainless Steel Stems</i></b>							
FPBM 8x30x32	Black or White	75kg	32	8	24	30	
FPBM 8x60x32	Black or White	75kg	32	8	24	60	
FPBM 10x40x32	Black or White	75kg	32	10	24	40	
FPBM 10x60x32	Black or White	75kg	32	10	24	60	
FPBM 10x75x32	Black or White	75kg	32	10	24	75	
FPBM 10x100x32	Black or White	75kg	32	10	24	100	
FPBM 10x170x32	Black or White	75kg	32	10	24	170	
FPBM 12x115x32	Black or White	75kg	32	12	24	115	
FPBM 12x170x32	Black or White	75kg	32	12	24	170	

## *Mild Steel & Stainless Steel Stems With 40mm Plastic Bases*



**Stems:** Mild Steel BZP or Stainless steel (303 Grade )  
articulates 15°

**Bases:** Polypropylene black or white conical or bolt/down

Application:

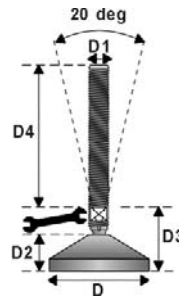
Mainly used on light weight benches and display cabinets & small machinery

**Please Note: No Lock Nuts are supplied**

For Up To Date Prices Please go to [www.cad1.co.uk](http://www.cad1.co.uk) : Web site part search: **Plastic-Base**

Order Codes For Phone Orders	Base Colour	Load Rating	D	D1	D3	D4	For up To Date prices Please Go To <a href="http://www.cad1.co.uk">www.cad1.co.uk</a>
<b><i>Mild Steel Bzp Stems</i></b>							
BZPT 6x25x40	Black or White	100kg	40	6	20	25	
BZPT 8x25x40	Black or White	100kg	40	8	20	25	
BZPT 8x60x40	Black or White	100kg	40	8	20	60	
BZPT 8x100x40	Black or White	100kg	40	8	20	100	
BZPT 10x37x40	Black or White	100kg	40	10	20	60	
BZPT 10x50x40	Black or White	100kg	40	10	20	50	
BZPT 10x100x40	Black or White	100kg	40	10	20	100	
BZPT 12x50x40	Black or White	100kg	40	12	20	50	
BZPT 12x100x40	Black or White	100kg	40	12	20	100	
BZP 16x100x40	Black or White	100kg	40	16	32	110	
BZP 16x150x40	Black or White	100kg	40	16	32	165	
BZP 16x200x40	Black or White	100kg	40	16	32	215	
BZP 20x150x40	Black or White	100kg	40	20	35	165	
BZP 20x200x40	Black or White	100kg	40	20	35	215	
BZP 24x150x40	Black or White	100kg	40	24	35	160	
BZP 24x200x40	Black or White	100kg	40	24	35	210	
BZP 24x250x40	Black or White	100kg	40	24	35	260	
<b><i>Stainless Steel Stems</i></b>							
FPBM 8x30x40	Black or White	100kg	40	8	24	30	
FPBM 8x60x40	Black or White	100kg	40	8	24	60	
FPBM 10x40x40	Black or White	100kg	40	10	24	40	
FPBM 10x60x40	Black or White	100kg	40	10	24	60	
FPBM 10x75x40	Black or White	100kg	40	10	24	75	
FPBM 10x100x40	Black or White	100kg	40	10	24	100	
FPBM 10x170x40	Black or White	100kg	40	10	24	170	
FPBM 12x115x40	Black or White	100kg	40	12	24	115	
FPBM 12x170x40	Black or White	100kg	40	12	24	170	
FPB 16x59x40	Black or White	100kg	40	16	32	59	
FPB 16x100x40	Black or White	100kg	40	16	32	110	
FPB 16x150x40	Black or White	100kg	40	16	32	165	
FPB 16x200x40	Black or White	100kg	40	16	32	215	
FPB 16x250x40	Black or White	100kg	40	16	32	265	
FPB 16x290x40	Black or White	100kg	40	16	32	300	
FPB 20x100x40	Black or White	100kg	40	20	35	110	
FPB 20x150x40	Black or White	100kg	40	20	35	165	
FPB 20x200x40	Black or White	100kg	40	20	35	215	
FPB 20x250x40	Black or White	100kg	40	20	35	265	
FPB 20x290x40	Black or White	100kg	40	20	35	300	
FPB 20x350x40	Black or White	100kg	40	20	35	365	
FPB 24x150x40	Black or White	100kg	40	24	35	160	
FPB 24x200x40	Black or White	100kg	40	24	35	210	
FPB 24x250x40	Black or White	100kg	40	24	35	260	

## *Mild Steel & Stainless Steel Stems With 47mm Plastic Bases*



**Stems:** Mild Steel BZP or Stainless steel (303 Grade )  
articulates 15°  
**Bases:** Polypropylene black or white conical

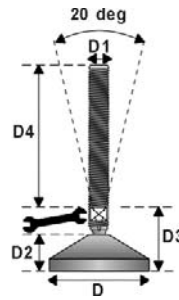
Application:  
Mainly used on light weight benches and  
display cabinets & small machinery

**Please Note: No Lock Nuts are supplied**

For Up To Date Prices Please go to [www.cad1.co.uk](http://www.cad1.co.uk) : Web site part search: **Plastic-Base**

Order Codes For Phone Orders	Base Colour	Load Rating	D	D1	D3	D4	For Up To Date Prices Please Go To <a href="http://www.cad1.co.uk">www.cad1.co.uk</a>
<b><i>Mild Steel Bzp Stems</i></b>							
BZPT 6x25x47	Black or White	200kg	47	6	20	25	
BZPT 8x25x47	Black or White	200kg	47	8	20	25	
BZPT 8x60x47	Black or White	200kg	47	8	20	60	
BZPT 8x100x47	Black or White	200kg	47	8	20	100	
BZPT 10x37x47	Black or White	200kg	47	10	20	60	
BZPT 10x50x47	Black or White	200kg	47	10	20	50	
BZPT 10x100x47	Black or White	200kg	47	10	20	100	
BZPT 12x50x47	Black or White	200kg	47	12	20	50	
BZPT 12x100x47	Black or White	200kg	47	12	20	100	
BZP 16x100x47	Black or White	200kg	47	16	32	110	
BZP 16x150x47	Black or White	200kg	47	16	32	165	
BZP 16x200x47	Black or White	200kg	47	16	32	215	
BZP 20x150x47	Black or White	200kg	47	20	35	165	
BZP 20x200x47	Black or White	200kg	47	20	35	215	
BZP 24x150x47	Black or White	200kg	47	24	35	160	
BZP 24x200x47	Black or White	200kg	47	24	35	210	
BZP 24x250x47	Black or White	200kg	47	24	35	260	
<b><i>Stainless Steel Stems</i></b>							
FPBM 8x30x47	Black or White	200kg	47	8	24	30	
FPBM 8x60x47	Black or White	200kg	47	8	24	60	
FPBM 10x40x47	Black or White	200kg	47	10	24	40	
FPBM 10x60x47	Black or White	200kg	47	10	24	60	
FPBM 10x75x47	Black or White	200kg	47	10	24	75	
FPBM 10x100x47	Black or White	200kg	47	10	24	100	
FPBM 10x170x47	Black or White	200kg	47	10	24	170	
FPBM 12x115x47	Black or White	200kg	47	12	24	115	
FPBM 12x170x47	Black or White	200kg	47	12	24	170	
FPB 16x59x47	Black or White	200kg	47	16	32	59	
FPB 16x100x47	Black or White	200kg	47	16	32	110	
FPB 16x150x47	Black or White	200kg	47	16	32	165	
FPB 16x200x47	Black or White	200kg	47	16	32	215	
FPB 16x250x47	Black or White	200kg	47	16	32	265	
FPB 16x290x47	Black or White	200kg	47	16	32	300	
FPB 20x100x47	Black or White	200kg	47	20	35	110	
FPB 20x150x47	Black or White	200kg	47	20	35	165	
FPB 20x200x47	Black or White	200kg	47	20	35	215	
FPB 20x250x47	Black or White	200kg	47	20	35	265	
FPB 20x290x47	Black or White	200kg	47	20	35	300	
FPB 20x350x47	Black or White	200kg	47	20	35	365	
FPB 24x150x47	Black or White	200kg	47	24	35	160	
FPB 24x200x47	Black or White	200kg	47	24	35	210	
FPB 24x250x47	Black or White	200kg	47	24	35	260	

## *Mild Steel & Stainless Steel Stems With 55mm Plastic Bases*



**Stems:** Mild Steel BZP or Stainless steel (303 Grade )  
articulates 15°

**Bases:** Polypropylene black or white conical

Application:

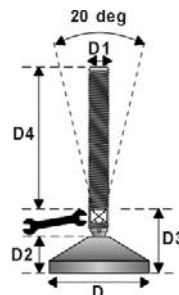
Mainly used on light weight benches and display cabinets & small machinery

**Please Note No Lock Nuts are supplied :**

For Up To Date Prices Please go to [www.cad1.co.uk](http://www.cad1.co.uk) : Web site part search: **Plastic-Base**

Order Codes For Phone Orders	Base Colour	Load Rating	D	D1	D3	D4	For up To Date Prices Please go to <a href="http://www.cad1.co.uk">www.cad1.co.uk</a>
<b><i>Mild Steel Bzp Stems</i></b>							
BZPT 6x25x55	Black or White	200kg	55	6	20	25	
BZPT 8x25x55	Black or White	200kg	55	8	20	25	
BZPT 8x60x55	Black or White	200kg	55	8	20	60	
BZPT 8x100x55	Black or White	200kg	55	8	20	100	
BZPT 10x37x55	Black or White	200kg	55	10	20	60	
BZPT 10x50x55	Black or White	200kg	55	10	20	50	
BZPT 10x100x55	Black or White	200kg	55	10	20	100	
BZPT 12x50x55	Black or White	200kg	55	12	20	50	
BZPT 12x100x55	Black or White	200kg	55	12	20	100	
BZP 16x100x55	Black or White	200kg	55	16	32	110	
BZP 16x150x55	Black or White	200kg	55	16	32	165	
BZP 16x200x55	Black or White	200kg	55	16	32	215	
BZP 20x150x55	Black or White	200kg	55	20	35	165	
BZP 20x200x55	Black or White	200kg	55	20	35	215	
BZP 24x150x55	Black or White	200kg	55	24	35	160	
BZP 24x200x55	Black or White	200kg	55	24	35	210	
BZP 24x250x55	Black or White	200kg	55	24	35	260	
<b><i>Stainless Steel Stems</i></b>							
FPBM 8x30x55	Black or White	200kg	55	8	24	30	
FPBM 8x60x55	Black or White	200kg	55	8	24	60	
FPBM 10x40x55	Black or White	200kg	55	10	24	40	
FPBM 10x60x47	Black or White	200kg	55	10	24	60	
FPBM 10x75x55	Black or White	200kg	55	10	24	75	
FPBM 10x100x55	Black or White	200kg	55	10	24	100	
FPBM 10x170x55	Black or White	200kg	55	10	24	170	
FPBM 12x115x55	Black or White	200kg	55	12	24	115	
FPBM 12x170x55	Black or White	200kg	55	12	24	170	
FPB 16x59x55	Black or White	200kg	55	16	32	59	
FPB 16x100x55	Black or White	200kg	55	16	32	110	
FPB 16x150x55	Black or White	200kg	55	16	32	165	
FPB 16x200x55	Black or White	200kg	55	16	32	215	
FPB 16x250x55	Black or White	200kg	55	16	32	265	
FPB 16x290x55	Black or White	200kg	55	16	32	300	
FPB 20x100x55	Black or White	200kg	55	20	35	110	
FPB 20x150x55	Black or White	200kg	55	20	35	165	
FPB 20x200x55	Black or White	200kg	55	20	35	215	
FPB 20x250x55	Black or White	200kg	55	20	35	265	
FPB 20x290x55	Black or White	200kg	55	20	35	300	
FPB 20x350x55	Black or White	200kg	55	20	35	365	
FPB 24x150x55	Black or White	200kg	55	24	35	160	
FPB 24x200x55	Black or White	200kg	55	24	35	210	
FPB 24x250x55	Black or White	200kg	55	24	35	260	

## *Mild Steel & Stainless Steel Stems With 80mm Plastic Bases*



**Stems:** Mild Steel BZP or Stainless steel (303 Grade ) articulates 15°

**Bases:** Polypropylene black or white conical or bolt/down Hole Centres 55mm with 9mm holes

**Application:**  
Mainly used on light weight benches and display cabinets & machinery.

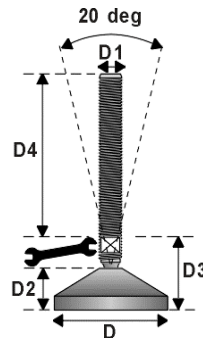
**Please Note No Lock Nuts are supplied :**

For Up To Date Prices Please go to [www.cad1.co.uk](http://www.cad1.co.uk) : Web site part search: **Plastic-Base**

Order Codes For Phone Orders	Base Colour	Load Rating	D	D1	D3	D4	For Up To Date Price Please Go To <a href="http://www.cad1.co.uk">www.cad1.co.uk</a>
<b><i>Mild Steel Bzp Stems</i></b>							
BZPT 6x25x80	Black or White	150kg	80	6	29	25	
BZPT 8x25x80	Black or White	200kg	80	8	29	25	
BZPT 8x60x80	Black or White	200kg	80	8	29	60	
BZPT 8x100x80	Black or White	200kg	80	8	29	100	
BZPT 10x37x80	Black or White	200kg	80	10	29	60	
BZPT 10x50x80	Black or White	200kg	80	10	29	50	
BZPT 10x100x80	Black or White	200kg	80	10	29	100	
BZPT 12x50x80	Black or White	200kg	80	12	29	50	
BZPT 12x100x80	Black or White	200kg	80	12	29	100	
BZP 16x100x80	Black or White	500kg	80	16	42	110	
BZP 16x150x80	Black or White	500kg	80	16	42	165	
BZP 16x200x80	Black or White	500kg	80	16	42	215	
BZP 20x150x80	Black or White	500kg	80	20	45	165	
BZP 20x200x80	Black or White	500kg	80	20	45	215	
BZP 24x150x80	Black or White	500kg	80	24	45	160	
BZP 24x200x80	Black or White	500kg	80	24	45	210	
BZP 24x250x80	Black or White	500kg	80	24	45	260	
<b><i>Stainless Steel Stems</i></b>							
FPBM 8x30x80	Black or White	200kg	80	8	35	30	
FPBM 8x60x80	Black or White	200kg	80	8	35	60	
FPBM 10x40x80	Black or White	200kg	80	10	35	40	
FPBM 10x60x80	Black or White	200kg	80	10	35	60	
FPBM 10x75x80	Black or White	200kg	80	10	35	75	
FPBM 10x100x80	Black or White	200kg	80	10	35	100	
FPBM 10x170x80	Black or White	200kg	80	10	35	170	
FPB 12x100x80	Black or White	200kg	80	12	35	115	
FPB 12x150x80	Black or White	200kg	80	12	35	170	
FPB 16x59x80	Black or White	500kg	80	16	42	59	
FPB 16x100x80	Black or White	500kg	80	16	42	110	
FPB 16x150x80	Black or White	500kg	80	16	42	165	
FPB 16x200x80	Black or White	500kg	80	16	42	215	
FPB 16x250x80	Black or White	500kg	80	16	42	265	
FPB 16x290x80	Black or White	500kg	80	16	42	300	
FPB 20x100x80	Black or White	500kg	80	20	45	110	
FPB 20x150x80	Black or White	500kg	80	20	45	165	
FPB 20x200x80	Black or White	500kg	80	20	45	215	
FPB 20x250x80	Black or White	500kg	80	20	45	265	
FPB 20x290x80	Black or White	500kg	80	20	45	300	
FPB 20x350x80	Black or White	500kg	80	20	45	365	
FPB 24x150x80	Black or White	500kg	80	24	45	160	
FPB 24x200x80	Black or White	500kg	80	24	45	210	
FPB 24x250x80	Black or White	500kg	80	24	45	260	



# *Mild Steel & Stainless Steel Stems With 105mm Plastic Bases*



**Stems:** Mild Steel BZP or Stainless steel (303 Grade )  
articulates 15°

**Bases:** Polypropylene black or white conical or Bolt/Down  
Hole centres 55mm with 9mm holes

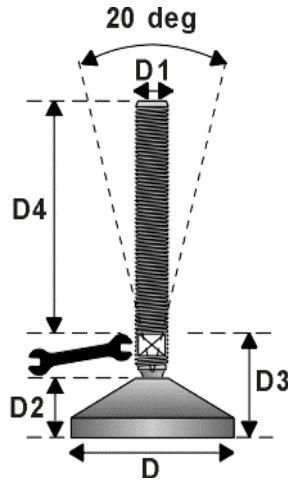
**Application:**  
Mainly used on light weight benches and  
display cabinets & machinery.

**Please Note No Lock Nuts are supplied :**

**For Up To Date Prices Please go to [www.cad1.co.uk](http://www.cad1.co.uk) : Web site part search: **Plastic-Base****

Order Codes For Phone Orders	Base Colour	Load Rating	D	D1	D3	D4	For Up To Date Prices Please Go To <a href="http://www.cad1.co.uk">www.cad1.co.uk</a>
<b><i>Mild Steel Bzp Stems</i></b>							
BZP 16x100x105	Black or White	500kg	105	16	42	110	
BZP 16x150x105	Black or White	500kg	105	16	42	165	
BZP 16x200x105	Black or White	500kg	105	16	42	215	
BZP 20x150x105	Black or White	500kg	105	20	45	165	
BZP 20x200x105	Black or White	500kg	105	20	45	215	
BZP 24x150x105	Black or White	500kg	105	24	45	160	
BZP 24x200x105	Black or White	500kg	105	24	45	210	
BZP 24x250x105	Black or White	500kg	105	24	45	260	
<b><i>Stainless Steel Stems</i></b>							
FPB 16x59x105	Black or White	500kg	105	16	42	59	
FPB 16x100x105	Black or White	500kg	105	16	42	110	
FPB 16x150x105	Black or White	500kg	105	16	42	165	
FPB 16x200x105	Black or White	500kg	105	16	42	215	
FPB 16x250x105	Black or White	500kg	105	16	42	265	
FPB 16x290x105	Black or White	500kg	105	16	42	300	
FPB 20x100x105	Black or White	500kg	105	20	45	110	
FPB 20x150x105	Black or White	500kg	105	20	45	165	
FPB 20x200x105	Black or White	500kg	105	20	45	215	
FPB 20x250x105	Black or White	500kg	105	20	45	265	
FPB 20x290x105	Black or White	500kg	105	20	45	300	
FPB 20x350x105	Black or White	500kg	105	20	45	365	
FPB 24x150x105	Black or White	500kg	105	24	45	160	
FPB 24x200x105	Black or White	500kg	105	24	45	210	
FPB2 4x250x105	Black or White	500kg	105	24	45	260	

# 80mm Blue Anti-Bacterial Plastic bases



A new range of blue anti-bacterial bases with stainless steel stems for our levelling feet. These are 99.9% effective against a number of bacteria including MRSA, C-Difficile, Salmonella and E-Coli. This technology is already used in hospitals, and now it has been incorporated into our adjustable feet bases for the conveyor & pharmaceutical industry.

This new range has been developed to assist our food and pharmaceutical customers in the fight against bacteria at minimal cost

**Please Note: No Lock Nuts are supplied**

**The Bolt/Down base are not pre-drilled ( But can be drilled on site if needed )**

For Up To Date Prices Please go to [www.cad1.co.uk](http://www.cad1.co.uk) : Web site part search: **Plastic-Base**

Order Codes For Phone Orders	Base Type	Load Rating	D	D1	D3	D4	For Up To Date Prices Please Go To <a href="http://www.cad1.co.uk">www.cad1.co.uk</a>
<b><i>Stainless Steel Stems</i></b>							
FPBH 8x30x80-blue	Conical or Bolt/Down	200kg	80	8	35	30	
FPBH 8x60x80-blue	Conical or Bolt/Down	200kg	80	8	35	60	
FPBH 10x40x80-blue	Conical or Bolt/Down	200kg	80	10	35	40	
FPBH 10x60x80-blue	Conical or Bolt/Down	200kg	80	10	35	60	
FPBH 10x75x80-blue	Conical or Bolt/Down	200kg	80	10	35	75	
FPBH 10x100x80-blue	Conical or Bolt/Down	200kg	80	10	35	100	
FPBH 10x170x80-blue	Conical or Bolt/Down	200kg	80	10	35	170	
FPBH 12x115x80-blue	Conical or Bolt/Down	200kg	80	12	35	100	
FPBH 12x170x80-blue	Conical or Bolt/Down	200kg	80	12	35	170	
FPBH 16x59x80-blue	Conical or Bolt/Down	500kg	80	16	42	59	
FPBH 16x100x80-blue	Conical or Bolt/Down	500kg	80	16	42	110	
FPBH 16x150x80-blue	Conical or Bolt/Down	500kg	80	16	42	165	
FPBH 16x200x80-blue	Conical or Bolt/Down	500kg	80	16	42	215	
FPBH 16x250x80-blue	Conical or Bolt/Down	500kg	80	16	42	265	
FPBH 16x290x80-blue	Conical or Bolt/Down	500kg	80	16	42	300	
FPBH 20x100x80-blue	Conical or Bolt/Down	500kg	80	20	45	110	
FPBH 20x150x80-blue	Conical or Bolt/Down	500kg	80	20	45	165	
FPBH 20x200x80-blue	Conical or Bolt/Down	500kg	80	20	45	215	
FPBH 20x250x80-blue	Conical or Bolt/Down	500kg	80	20	45	265	
FPBH 20x290x80-blue	Conical or Bolt/Down	500kg	80	20	45	300	
FPBH 20x350x80-blue	Conical or Bolt/Down	500kg	80	20	45	365	
FPBH 24x150x80-blue	Conical or Bolt/Down	500kg	80	24	45	160	
FPBH 24x200x80-blue	Conical or Bolt/Down	500kg	80	24	45	210	
FPBH 24x250x80-blue	Conical or Bolt/Down	500kg	80	24	45	260	

## *Mild Steel & Stainless Steel Stems With 80mm Plastic Bases With Anti-slip pad*

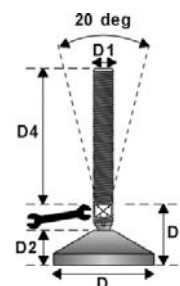


### **Application:**

Mainly used on conveyors, benches and Tables where stainless steel stems are needed.

**Stems: Mild Steel BZP or Stainless steel (303 Grade ) articulates 15°**

**Bases: Polypropylene black conical**

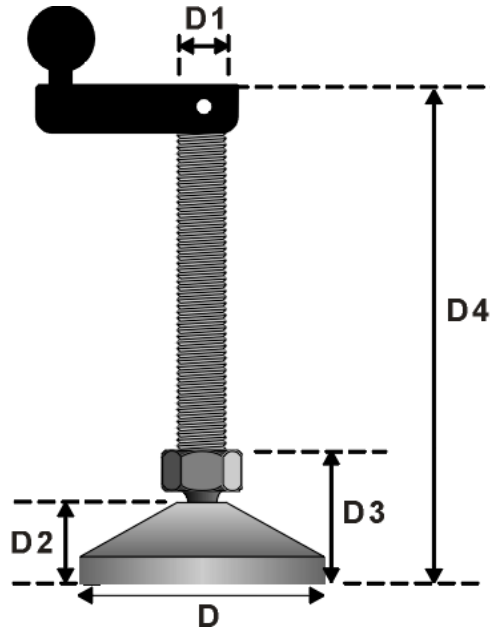


**No Lock Nut is Supplied:**

**For Up To Date Prices Please go to [www.cad1.co.uk](http://www.cad1.co.uk) : Web site part search: **Plastic-Base****

Order Codes For Phone Orders	Base Type	Load Rating	D	D1	D3	D4	For Up To date Prices Please Go To <a href="http://www.cad1.co.uk">www.cad1.co.uk</a>
<b><i>Mild Steel Bzp Stems</i></b>							
ASFBZP 6x25x80	Conical or Bolt/Down	200kg	80	6	28	25	
ASFBZP 8x25x80	Conical or Bolt/Down	200kg	80	8	28	25	
ASFBZP 8x60x80	Conical or Bolt/Down	200kg	80	8	28	60	
ASFBZP 8x100x80	Conical or Bolt/Down	200kg	80	8	28	100	
ASFBZP 10x37x80	Conical or Bolt/Down	200kg	80	10	28	60	
ASFBZP 10x50x80	Conical or Bolt/Down	200kg	80	10	28	50	
ASFBZP 10x100x80	Conical or Bolt/Down	200kg	80	10	28	100	
ASFBZP 12x50x80	Conical or Bolt/Down	200kg	80	12	28	50	
ASFBZP 12x100x80	Conical or Bolt/Down	200kg	80	12	28	100	
ASFBZP 16x100x80	Conical or Bolt/Down	750kg	80	16	42	110	
ASFBZP 16x150x80	Conical or Bolt/Down	750kg	80	16	42	165	
ASFBZP 16x200x80	Conical or Bolt/Down	750kg	80	16	42	215	
ASFBZP 20x150x80	Conical or Bolt/Down	750kg	80	20	47	165	
ASFBZP 20x200x80	Conical or Bolt/Down	750kg	80	20	47	215	
ASFBZP 24x150x80	Conical or Bolt/Down	750kg	80	24	50	160	
ASFBZP 24x200x80	Conical or Bolt/Down	750kg	80	24	50	210	
ASFBZP 24x250x80	Conical or Bolt/Down	750kg	80	24	50	260	
<b><i>Stainless Steel Stems</i></b>							
ASF 8x30x80	Conical or Bolt/Down	200kg	80	8	31	30	
ASF 8x60x80	Conical or Bolt/Down	200kg	80	8	31	60	
ASF 10x40x80	Conical or Bolt/Down	300kg	80	10	31	40	
ASF 10x60x80	Conical or Bolt/Down	300kg	80	10	31	60	
ASF 10x75x80	Conical or Bolt/Down	300kg	80	10	31	75	
ASF 10x100x80	Conical or Bolt/Down	300kg	80	10	31	100	
ASF 10x170x80	Conical or Bolt/Down	300kg	80	10	31	170	
ASF 12x115x80	Conical or Bolt/Down	300kg	80	12	31	100	
ASF 12x170x80	Conical or Bolt/Down	300kg	80	12	31	170	
ASF 16x59x80	Conical or Bolt/Down	750kg	80	16	42	59	
ASF 16x100x80	Conical or Bolt/Down	750kg	80	16	42	110	
ASF 16x150x80	Conical or Bolt/Down	750kg	80	16	42	165	
ASF 16x200x80	Conical or Bolt/Down	750kg	80	16	42	215	
ASF 16x250x80	Conical or Bolt/Down	750kg	80	16	42	265	
ASF 16x290x80	Conical or Bolt/Down	750kg	80	16	42	300	
ASF 20x100x80	Conical or Bolt/Down	750kg	80	20	47	110	
ASF 20x150x80	Conical or Bolt/Down	750kg	80	20	47	165	
ASF 20x200x80	Conical or Bolt/Down	750kg	80	20	47	215	
ASF 20x250x80	Conical or Bolt/Down	750kg	80	20	47	265	
ASF 20x290x80	Conical or Bolt/Down	750kg	80	20	47	300	
ASF 20x350x80	Conical or Bolt/Down	750kg	80	20	47	365	
ASF 24x150x80	Conical or Bolt/Down	750kg	80	24	50	160	
ASF 24x200x80	Conical or Bolt/Down	750kg	80	24	50	210	
ASF 24x250x80	Conical or Bolt/Down	750kg	80	24	50	260	

# Handle Feet



**Stems:** Stainless Steel (304 grade)  
**Bases:** 80mm Polypropylene (conical)

**Application:** Mainly used with castors to stop machinery moving or shaking & also levelling on mooned floors. Should fit up to 125mm castor  
 Please phone for Prices on castors  
 When not in use the handle folds down the stem out of the way

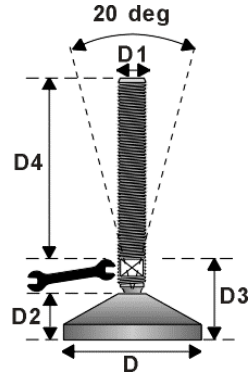
**Please Note: One Lock Nuts is supplied**

For Up To Date Prices Please go to [www.cad1.co.uk](http://www.cad1.co.uk) : Web site part search: **Handle-Feet**

Order Codes For Phone Orders	Base Colour	Load Rating	D	D1	D2	D3	D4	For Up To date Price Please Go to <a href="http://www.cad1.co.uk">www.cad1.co.uk</a>
HF 12x150x80	Black or White	200kg	80mm	12mm	25mm	37mm	220mm	
HF 12x200x80	Black or White	200kg	80mm	12mm	25mm	37mm	270mm	
HF 12x250x80	Black or White	200kg	80mm	12mm	25mm	37mm	320mm	
HF 16x150x80	Black or White	500kg	80mm	16mm	25mm	38mm	220mm	
HF 16x200x80	Black or White	500kg	80mm	16mm	25mm	38mm	270mm	
HF 16x250x80	Black or White	500kg	80mm	16mm	25mm	38mm	320mm	
HF 20x150x80	Black or White	500kg	80mm	20mm	25mm	40mm	220mm	
HF 20x200x80	Black or White	500kg	80mm	20mm	25mm	40mm	270mm	
HF 20x250x80	Black or White	500kg	80mm	20mm	25mm	40mm	320mm	

# Stainless Steel stems & bases

## 38mm Conical



**Application:** These feet are mainly used for food machinery that needs to be totally Stainless Steel for hygiene reasons and also to show your machinery at its best

**Stems:** Stainless Steel (303 grade,)

**Bases:** Stainless Steel (304 grade)

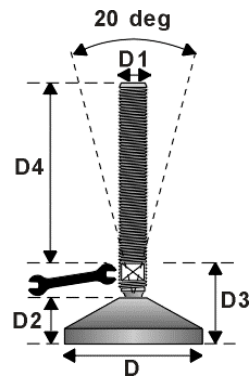
For Up To Date Prices Please go to [www.cad1.co.uk](http://www.cad1.co.uk) : Web site part search: **Stainless-Bases**

Please Note one Locking nut is supplied free

Order Codes For Phone Orders	Base Type	Load Rating	D	D1	D2	D3	D4	For Up To Date Prices Please Go to <a href="http://www.cad1.co.uk">www.cad1.co.uk</a>
FSS 8x30x38	Conical	300 kg	38	8	14	21	30	
FSS 8x60x38	Conical	300 kg	38	8	14	21	60	
FSS 10x40x38	Conical	300 kg	38	10	14	21	40	
FSS 10x60x38	Conical	300 kg	38	10	14	21	60	
FSS 10x75x38	Conical	300 kg	38	10	14	28	75	
FSS 10x100x38	Conical	300 kg	38	10	14	28	100	
FSS 10x170x38	Conical	500 kg	38	12	14	32	170	
FSS 12x115x38	Conical	500 kg	38	12	14	32	115	
FSS 12x170x38	Conical	500 kg	38	12	14	32	170	
FSS 16x100x38	Conical	1500 kg	38	16	14	37	110	
FSS 16x150x38	Conical	1500 kg	38	16	14	37	165	
FSS 16x200x38	Conical	1500 kg	38	16	14	37	215	
FSS 16x250x38	Conical	1500 kg	38	16	14	37	265	
FSS 16x290x38	Conical	1500 kg	38	16	14	37	300	
FSS 20x100x38	Conical	2000 kg	38	20	14	39	105	
FSS 20x150x38	Conical	2000 kg	38	20	14	39	165	
FSS 20x200x38	Conical	2000 kg	38	20	14	39	215	
FSS 20x250x38	Conical	2000 kg	38	20	14	39	265	
FSS 20x290x38	Conical	2000 kg	38	20	14	39	300	
FSS 20x350x38	Conical	2000 kg	38	20	14	39	365	
FSS 24x150x38	Conical	2000 kg	38	24	14	40	160	
FSS 24x200x38	Conical	2000 kg	38	24	14	40	210	
FSS 24x250x38	Conical	2000 kg	38	24	14	40	210	

# Stainless Steel stems & bases

## 51mm Conical



**Application:** These feet are mainly used for food machinery that needs to be totally Stainless Steel for hygiene reasons and also to show your machinery at its best

**Stems:** Stainless Steel (303 grade)

**Bases:** Stainless Steel (304 grade)

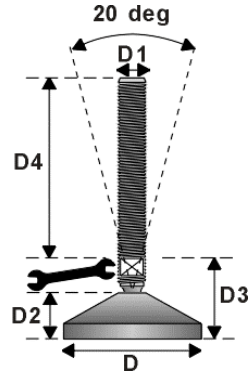
For Up To Date Prices Please go to [www.cad1.co.uk](http://www.cad1.co.uk) : Web site part search: **Stainless-Bases**

Please Note one Locking nut is supplied free

Order Codes For Phone Orders	Base Type	Load Rating	D	D1	D2	D3	D4	For Up To date Prices Please Go To <a href="http://www.cad1.co.uk">www.cad1.co.uk</a>
FSS 8x30x51	Conical	300 kg	51	8	15	27	30	
FSS 8x60x51	Conical	300 kg	51	8	15	27	60	
FSS 10x40x51	Conical	300 kg	51	10	15	27	40	
FSS 10x60x51	Conical	300 kg	51	10	15	27	60	
FSS 10x75x51	Conical	300 kg	51	10	15	27	75	
FSS 10x100x51	Conical	300 kg	51	10	15	27	100	
FSS 10x170x51	Conical	500 kg	51	12	15	27	170	
FSS 12x115x51	Conical	500 kg	51	12	15	30	115	
FSS 12x170x51	Conical	500 kg	51	12	15	30	170	
FSS 16x100x51	Conical	1500 kg	51	16	15	37	110	
FSS 16x150x51	Conical	1500 kg	51	16	15	37	165	
FSS 16x200x51	Conical	1500 kg	51	16	15	37	215	
FSS 16x250x51	Conical	1500 kg	51	16	15	37	265	
FSS 16x290x51	Conical	1500 kg	51	16	15	37	300	
FSS 20x100x51	Conical	2000 kg	51	20	15	39	105	
FSS 20x150x51	Conical	2000 kg	51	20	15	39	165	
FSS 20x200x51	Conical	2000 kg	51	20	15	39	215	
FSS 20x250x51	Conical	2000 kg	51	20	15	39	265	
FSS 20x290x51	Conical	2000 kg	51	20	15	39	300	
FSS 20x350x51	Conical	2000 kg	51	20	15	39	365	
FSS 24x150x51	Conical	2000 kg	51	24	15	40	160	
FSS 24x200x51	Conical	2000 kg	51	24	15	40	210	
FSS 24x250x51	Conical	2000 kg	51	24	15	40	260	

# Stainless Steel stems & bases

## 76mm Conical



**Application:** These feet are mainly used for food machinery that needs to be totally Stainless Steel for hygiene reasons and also to show your machinery at its best

**Stems:** Stainless Steel (303 grade)

**Bases:** Stainless Steel (304 grade)

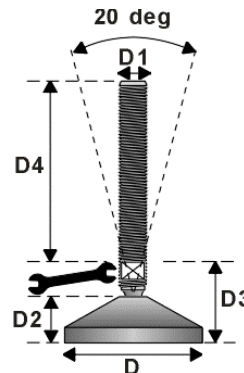
For Up To Date Prices Please go to [www.cad1.co.uk](http://www.cad1.co.uk) : Web site part search: **Stainless-Bases**

Please Note one Locking nut is supplied free

Order Codes For Phone Orders	Base Type	Load Rating	D	D1	D2	D3	D4	For Up To Date Prices Please go to <a href="http://www.cad1.co.uk">www.cad1.co.uk</a>
FSS 8x30x76c	Conical	300 kg	76	8	20	29	30	
FSS 8x60x76c	Conical	300 kg	76	8	20	29	60	
FSS 10x40x76c	Conical	300 kg	76	10	20	29	40	
FSS 10x60x76c	Conical	300 kg	76	10	20	29	60	
FSS 10x75x76c	Conical	300 kg	76	10	20	29	75	
FSS 10x100x76c	Conical	300 kg	76	10	20	29	100	
FSS 10x170x76c	Conical	500 kg	76	12	20	29	170	
FSS 12x115x76c	Conical	500 kg	76	12	20	32	115	
FSS 12x170x76c	Conical	500 kg	76	12	20	32	170	
FSS 16x100x76c	Conical	1500 kg	76	16	20	44	110	
FSS 16x150x76c	Conical	1500 kg	76	16	20	44	165	
FSS 16x200x76c	Conical	1500 kg	76	16	20	44	215	
FSS 16x250x76c	Conical	1500 kg	76	16	20	44	265	
FSS 16x290x76c	Conical	1500 kg	76	16	20	44	300	
FSS 20x100x76c	Conical	2000 kg	76	20	20	46	105	
FSS 20x150x76c	Conical	2000 kg	76	20	20	46	165	
FSS 20x200x76c	Conical	2000 kg	76	20	20	46	215	
FSS 20x250x76c	Conical	2000 kg	76	20	20	46	265	
FSS 20x290x76c	Conical	2000 kg	76	20	20	46	300	
FSS 20x350x76c	Conical	2000 kg	76	20	20	46	365	
FSS 24x150x76c	Conical	2000 kg	76	24	20	48	160	
FSS 24x200x76c	Conical	2000 kg	76	24	20	48	210	
FSS 24x250x76c	Conical	2000 kg	76	24	20	48	260	

# *Stainless Steel stems & bases*

## *76mm Bolt/Down*



**Application:** These feet are mainly used for food machinery that needs to be totally Stainless Steel for hygiene reasons and also to show your machinery at its best

**Stems:** Stainless Steel (303 grade)

**Bases:** Stainless Steel (304 grade)

**Hole Centres:** 76mm bases, 7mm holes at 62mm Centres.

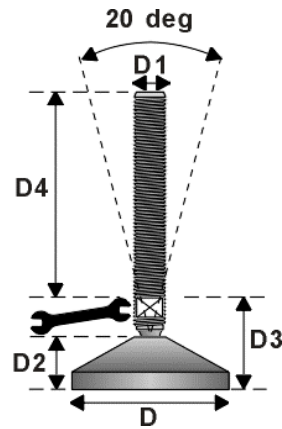
For Up To Date Prices Please go to [www.cad1.co.uk](http://www.cad1.co.uk) : Web site part search: **Stainless-Bases**

**Please Note one Locking nut is supplied free**

Order Codes For Phone Orders	Base Type	Load Rating	D	D1	D2	D3	D4	For Up To date Prices Please Go To <a href="http://www.cad1.co.uk">www.cad1.co.uk</a>
FSS 8x30x76b	Bolt/Down	300 kg	76	8	20	29	30	
FSS 8x60x76b	Bolt/Down	300 kg	76	8	20	29	60	
FSS 10x40x76b	Bolt/Down	500 kg	76	10	20	29	40	
FSS 10x60x76b	Bolt/Down	500 kg	76	10	20	29	60	
FSS 10x75x76b	Bolt/Down	500 kg	76	10	20	29	75	
FSS 10x100x76b	Bolt/Down	500 kg	76	10	20	29	100	
FSS 10x170x76b	Bolt/Down	500 kg	76	12	20	29	170	
FSS 12x115x76b	Bolt/Down	700 kg	76	12	20	29	115	
FSS 12x170x76b	Bolt/Down	700 kg	76	12	20	29	170	
FSS 16x100x76b	Bolt/Down	1500 kg	76	16	20	44	110	
FSS 16x150x76b	Bolt/Down	1500 kg	76	16	20	44	165	
FSS 16x200x76b	Bolt/Down	1500 kg	76	16	20	44	215	
FSS 16x250x76b	Bolt/Down	1500 kg	76	16	20	44	265	
FSS 16x290x76b	Bolt/Down	1500 kg	76	16	20	44	300	
FSS 20x100x76b	Bolt/Down	2000 kg	76	20	20	46	105	
FSS 20x150x76b	Bolt/Down	2000 kg	76	20	20	46	165	
FSS 20x200x76b	Bolt/Down	2000 kg	76	20	20	46	215	
FSS 20x250x76b	Bolt/Down	2000 kg	76	20	20	46	265	
FSS 20x290x76b	Bolt/Down	2000 kg	76	20	20	46	300	
FSS 20x350x76b	Bolt/Down	2000 kg	76	20	20	46	365	
FSS 24x150x76b	Bolt/Down	2000 kg	76	24	20	48	160	
FSS 24x200x76b	Bolt/Down	2000 kg	76	24	20	48	210	
FSS 24x250x76b	Bolt/Down	2000 kg	76	24	20	48	260	



# Stainless Steel stems & bases 102mm Bolt/Down



**Application:** These feet are mainly used for food machinery that needs to be totally Stainless Steel for hygiene reasons and also to show your machinery at its best

**Stems:** Stainless Steel (303 grade)

**Bases:** Stainless Steel (304 grade)

**Hole Centres:** 102mm bases, 11mm holes at 74mm Centres.

For Up To Date Prices Please go to [www.cad1.co.uk](http://www.cad1.co.uk) : Web site part search: **Stainless-Bases**

Please Note one Locking nut is supplied free


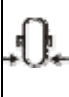





Order Codes For Phone Orders	Base Type	Load Rating	D	D1	D2	D3	D4	For Up To Date Prices Please Go To <a href="http://www.cad1.co.uk">www.cad1.co.uk</a>
FSS 10x40x102b	Bolt/Down	500 kg	102	10	20	29	40	
FSS 10x60x102b	Bolt/Down	500 kg	102	10	20	29	60	
FSS 10x75x102b	Bolt/Down	500 kg	102	10	20	29	75	
FSS 10x100x102b	Bolt/Down	500 kg	102	10	20	29	100	
FSS 10x170x102b	Bolt/Down	500 kg	102	12	20	29	170	
FSS 12x115x102b	Bolt/Down	700 kg	102	12	20	29	115	
FSS 12x170x102b	Bolt/Down	700 kg	102	12	20	29	170	
FSS 16x100x102b	Bolt/Down	1500 kg	102	16	20	44	110	
FSS 16x150x102b	Bolt/Down	1500 kg	102	16	20	44	165	
FSS 16x200x102b	Bolt/Down	1500 kg	102	16	20	44	215	
FSS 16x250x102b	Bolt/Down	1500 kg	102	16	20	44	265	
FSS 16x290x102b	Bolt/Down	1500 kg	102	16	20	44	300	
FSS 20x100x102b	Bolt/Down	2000 kg	102	20	20	46	105	
FSS 20x150x102b	Bolt/Down	2000 kg	102	20	20	46	165	
FSS 20x200x102b	Bolt/Down	2000 kg	102	20	20	46	215	
FSS 20x250x102b	Bolt/Down	2000 kg	102	20	20	46	265	
FSS 20x290x102b	Bolt/Down	2000 kg	102	20	20	46	300	
FSS 20x350x102b	Bolt/Down	2000 kg	102	20	20	46	365	
FSS 24x150x102b	Bolt/Down	2000 kg	102	24	20	48	160	
FSS 24x200x102b	Bolt/Down	2000 kg	102	24	20	48	210	
FSS 24x250x102b	Bolt/Down	2000 kg	102	24	20	48	260	

# Stainless Steel Castors

For Up To Date Prices Please go to [www.cad1.co.uk](http://www.cad1.co.uk) :  
Web site part search: **Castors**

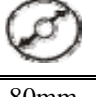

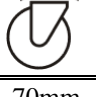

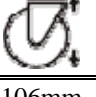

## Stainless Steel Top plate Castor



Order Codes For Phone Order								For Up To Date Prices Please Go To <a href="http://www.cad1.co.uk">www.cad1.co.uk</a>
SSC 80-FTP-NY	80mm	35	105 x80	80x60	9mm	106mm	100kg	
SSC 100-FTP-NY	100mm	35	105 x80	80x60	9mm	128mm	150kg	
SSC 125-FTP-NY	125mm	38	105 x80	80x60	9mm	155mm	250kg	
SSC 80-STP-NY	80mm	35	105 x80	80x60	9mm	106mm	100kg	
SSC 100-STP-NY	100mm	35	105 x80	80x60	9mm	128mm	150kg	
SSC 125-STP-NY	125mm	38	105 x80	80x60	9mm	155mm	250kg	
SSC 80-SBTP-NY	80mm	35	105 x80	80x60	9mm	106mm	100kg	
SSC 100-SBTP-NY	100mm	35	105 x80	80x60	9mm	128mm	150kg	
SSC 125-SBTP-NY	125mm	38	105 x80	80x60	9mm	155mm	250kg	

## Stainless Steel Centre Hole Castors



Order Codes For Phone Orders							For Up To Date Prices Please Go To <a href="http://www.cad1.co.uk">www.cad1.co.uk</a>
SSC 80-SCH-NY	80mm	35	70mm	12	106mm	100kg	
SSC 100-SCH-NY	100mm	35	70mm	12	128mm	150kg	
SSC 125-SCH-NY	125mm	38	70mm	12	155mm	150kg	
SSC 80-SBCH-NY	80mm	35	70mm	12	106mm	100kg	
SSC 100-SBCH-NY	100mm	35	70mm	12	128mm	150kg	
SSC 125-SBCH-NY	125mm	38	70mm	12	155mm	150kg	

## Stainless steel Adaptors ( Only ) To Fit Centre Hole Castors



Order Code For Phone Orders	THREAD SIZE	All 12mm into The Castor 37mm LONG	For Up To Date Prices Please Go To <a href="http://www.cad1.co.uk">www.cad1.co.uk</a>
SSAD 12x150	12mm	12mm x 37mm	
SSAD 16x150	16mm	12mm x 37mm	
SSAD 20x150	20mm	12mm x 37mm	
SSAD 24x150	24mm	12mm x 37mm	



# Mild Steel ( BZP ) Castors

## Top Plate Castor



Part number								For Up To Date Prices Please Go To <a href="http://www.cad1.co.uk">www.cad1.co.uk</a>
BZPC 80-FTP-NY	80mm	35	105 x80	80x60	9mm	106mm	100kg	
BZPC 100-FTP-NY	100mm	35	105 x80	80x60	9mm	128mm	150kg	
BZPC 125-FTP-NY	125mm	38	105 x80	80x60	9mm	155mm	250kg	
BZPC 80-STP-NY	80mm	35	105 x80	80x60	9mm	106mm	100kg	
BZPC 100-STP-NY	100mm	35	105 x80	80x60	9mm	128mm	150kg	
BZPC 125-STP-NY	125mm	38	105 x80	80x60	9mm	155mm	250kg	
BZPC 80-SBTP-NY	80mm	35	105 x80	80x60	9mm	106mm	100kg	
BZPC 100-SBTP-NY	100mm	35	105 x80	80x60	9mm	128mm	150kg	
BZPC 125-SBTP-NY	125mm	38	105 x80	80x60	9mm	155mm	250kg	

## Mild Steel ( BZP ) Centre Hole Castors



Part Number								For Up To Date Prices Please Go To <a href="http://www.cad1.co.uk">www.cad1.co.uk</a>
BZPC 80-SCH-NY	80mm	35	70mm	12	106mm	100kg		
BZPC 100-SCH-NY	100mm	35	70mm	12	128mm	150kg		
BZPC 125-SCH-NY	125mm	38	70mm	12	155mm	150kg		
BZPC 80-SBCH-NY	80mm	35	70mm	12	106mm	100kg		
BZPC 100-SBCH-NY	100mm	35	70mm	12	128mm	150kg		
BZPC 125-SBCH-NY	125mm	38	70mm	12	155mm	150kg		

## Stainless Steel Studding A2

For Up To Date Prices Please go to [www.cad1.co.uk](http://www.cad1.co.uk) : Web site part search: **Studding**



Studding Size A2	Thread Pitch	For Up To Date Prices Please Go To <a href="http://www.cad1.co.uk">www.cad1.co.uk</a>
6mm x 1000mm	1mm	
8mm x 1000mm	1.25mm	
10mm x 1000mm	1.5mm	
12mm x 1000mm	1.75mm	
16mm x 1000mm	2mm	
20mm x 1000mm	2.5mm	
24mm x 1000mm	3mm	



## *Plastic Inserts With Brass threads*

**Plastic:** Polyamide Reinforced Nylon.

**Threads:** Stainless Steel or Brass Nickel Plated

For up to date prices on [www.cad1.co.uk](http://www.cad1.co.uk)

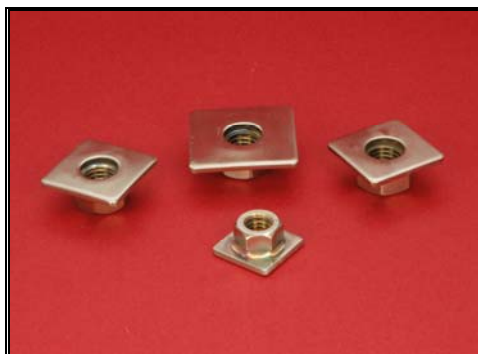
Order Codes For Phone Orders	To Fit Box Section	INSERTS TYPE	LOAD RATING	For Up To Date Price Please Go To <a href="http://www.cad1.co.uk">www.cad1.co.uk</a>
INSB 10x30x30x1.5	30mm x 30mm x 1.5mm	Brass Nickel Plated	500 kg	
INSB 10x40x40x1.5	40mm x 40mm x 1.5mm	Brass Nickel Plated	800 kg	
INBB 12x30x30x1.5	30mm x 30mm x 1.5mm	Brass Nickel Plated	500 kg	
INSB 12x40x40x1.5	40mm x 40mm x 1.5mm	Stainless Steel Nut	800 kg	
INSB 12x40x40x2	40mm x 40mm x 2mm	Brass Nickel Plated	800 kg	
INSB 12x50x50x1.5	50mm x 50mm x 1.5mm	Brass Nickel Plated	800 kg	
INSB 12x50x50x2	50mm x 50mm x 2mm	Brass Nickel Plated	800 kg	
INSB 16x30x30x1.5	30mm x 30mm x 1.5mm	Brass Nickel Plated	500 kg	
INSB 16x40x40x1.5	40mm x 40mm x 1.5mm	Brass Nickel Plated	800 kg	
INSS 16x40x40x1.5	40mm x 40mm x 1.5mm	Stainless Steel Nut	800 kg	
INSB 16x40x40x2	40mm x 40mm x 2mm	Brass Nickel Plated	800 kg	
INSB 16x50x50x1.5	50mm x 50mm x 1.5mm	Brass Nickel Plated	800 kg	
INSB 16x50x50x2	50mm x 50mm x 2mm	Brass Nickel Plated	800 kg	
INSB 16x50x50x2.5	50mm x 50mm x 2.5mm	Brass Nickel Plated	800 kg	
INSB 20x40x40x1.5	40mm x 40mm x 1.5mm	Brass Nickel Plated	800 kg	
INSB 20x40x40x2	40mm x 40mm x 2mm	Brass Nickel Plated	800 kg	
INSB 20x50x50x1.5	50mm x 50mm x 1.5mm	Brass Nickel Plated	800 kg	
INSB 20x50x50x2	50mm x 50mm x 2mm	Brass Nickel Plated	800 kg	
INSB 20x50x50x2.5	50mm x 50mm x 2.5mm	Brass Nickel Plated	800 kg	

## *All Plastic Threaded Inserts*



PART NUMBER	To Fit Box Section	INSERTS TYPE	LOAD RATING	For Up To Date Price Please Go To <a href="http://www.cad1.co.uk">www.cad1.co.uk</a>
<i>8mm Plastic Threads</i>				
INSP 8x25x25x1.5mm to 2mm	25mm x 25mm x 1.5mm to 2mm	Ribbed	200 kg	
INSP 8x30x30x1.5mm to 2mm	30mm x 30mm x 1.5mm to 2mm	Ribbed	200 kg	
INSP 8x50x25x1mm to 2mm	50mm x 25mm x 1mm to 2mm	Ribbed	100 kg	
<i>10mm Plastic Threads</i>				
INSP 10x25x25x1.5mm to 2mm	25mm x 25mm x 1.5mm to 2mm	Ribbed	250 kg	
INSP 10x30x30x1.5mm to 2mm	30mm x 30mm x 1.5mm to 2mm	Ribbed	250 kg	
INSP 10x40x40x1.5mm to 2mm	40mm x 40mm x 1.5mm to 2mm	Ribbed	250 kg	
INSP 10x50x50x1.5mm to 2mm	50mm x 50mm x 1.5mm to 2mm	Ribbed	250 kg	
INSP 10x50x25x1mm to 2mm	50mm x 25mm x 1mm to 2mm	Ribbed	100 kg	
<i>12mm Plastic Threads</i>				
INSP 12x25x25x1.5mm to 2mm	25mm x 25mm x 1.5mm to 2mm	Ribbed	250 kg	
INSP 12x30x30x1.5mm to 2mm	30mm x 30mm x 1.5mm to 2mm	Ribbed	250 kg	
INSP 12x40x40x1.5mm to 2mm	40mm x 40mm x 1.5mm to 2mm	Ribbed	250 kg	
INSP 12x50x50x1.5mm to 2mm	50mm x 50mm x 1.5mm to 2mm	Ribbed	250 kg	

# Stainless Steel Threaded Weld Plates



Stainless steel threaded weld plates made from 304 grade A2 and some in 316 grade A4 stainless steel. The plates are 1mm smaller than the tube dimensions and have rounded corners for easy welding.

**Plate:** Stainless Steel (304 Grade )

**Nuts:** Stainless Steel ( 304 Grade)

Order Codes For Phone Orders	LOAD RATING KG	THREAD	LENGTH	WIDTH	PLATE SIZE	TOTAL HEIGHT	For Up To Date Prices Please Go To <a href="http://www.cad1.co.uk">www.cad1.co.uk</a>
SSWP 10x25x25x2.5	250	10	24	24	2.5	10	
SSWP 10x30x30x3	300	10	29	29	3	11	
SSWP 10x38mm Round	500	10	37	37	3	11	
SSWP 10x40x40x3	500	10	39	39	3	11	
SSWP 12x25x25x2.5	250	12	24	24	2.5	11	
SSWP 12x30x30x3	300	12	29	29	3	13	
SSWP 12x38mm Round	500	12	37	37	3	13	
SSWP 12x40x40x3	500	12	39	39	3	12	
SSWP 12x50mm Round	500	12	49	49	3	12	
SSWP 12x50x50x3	1000	12	49	49	3	12	
SSWP 16x40x40x3	1000	16	39	39	3	15	
SSWP 16x50x50x3	1000	16	49	49	3	15	
SSWP 16x50mm Round	1000	16	49	49	4	16	
SSWP 16x60mm Round	1000	16	59	59	4	16	
SSWP 20x40x40x3	1000	20	39	39	3	18	
SSWP 20x50x50x3	1000	20	49	49	3	18	
SSWP 20x60mm Round	1000	20	59	59	4	19	

# Plastic End Caps or Bungs

Standard Colour: Black  
(White only to order)

Please ring for details



All End Caps are ex stock  
For any other sizes  
Please phone:  
01327-311122

For Up To Date Prices Please go to [www.cad1.co.uk](http://www.cad1.co.uk) : Web site part search: **End Caps**

Order Codes For Phone Orders	End Cap Sizes		Shank type	For Up To Date Prices Please Go To <a href="http://www.cad1.co.uk">www.cad1.co.uk</a>
	<b>Square End Caps</b>	<b>Imperial Sizes</b>		
<b>3107</b>	19mm x 19mm x 1mm to 2mm	¾" x ¾" x 14-20g	Ribbed	
<b>3108</b>	22mm x 22mm x 1mm to 2mm	N/A	Ribbed	
<b>3981</b>	25mm x 25mm 1mm to 2.5mm	N/A	Ribbed	
<b>3086</b>	25mm x 25mm x 2mm to 3.2mm	1" x 1" x 10-14g	Ribbed	
<b>3111</b>	30mm x 30mm x 2mm to 3mm	N/A	Ribbed	
<b>3114</b>	32mm x 32mm x 1mm to 2mm	1¼" x 1¼" x 14-20g	Ribbed	
<b>3090</b>	38mm x 38mm x 1mm to 2mm	1½" x 1½" x 14-20g	Ribbed	
<b>3112</b>	40mm x 40mm x 1.5mm to 3.2mm	N/A	Ribbed	
<b>3113</b>	50mm x 50mm x 1mm to 2mm	2" x 2" x 14-20g	Ribbed	
<b>3091</b>	50mm x 50mm x 2mm to 3.2mm	2" x 2" x 10-14g	Ribbed	
<b>3098</b>	50mm x 50mm x 3mm to 5mm	N/A	Ribbed	
<b>3115</b>	60mm x 60mm x 3mm to 4mm	N/A	Ribbed	
<b>3117</b>	75mm x 75mm x 1.5mm to 2.5mm	N/A	Ribbed	
<b>3118</b>	80mm x 80mm x 3mm to 5mm	N/A	Ribbed	
<b>3119</b>	100mm x 100mm x 3mm to 5mm	N/A	Ribbed	
	<b>Rectangular End Caps</b>			
<b>3051/1</b>	30mm x 15mm x 1.5mm	N/A	Plain	
<b>3076</b>	32mm x 16mm x 1.5mm	1¼" x 5/8" x 14-20g	Plain	
<b>3055</b>	40mm x 20mm x 1mm to 2mm	N/A	Ribbed	
<b>3057</b>	50mm x 25mm x 1mm to 3mm	2" x 1" x 14-20g	Ribbed	
<b>3036</b>	50mm x 25mm x 2mm to 3.2mm	2" x 1" x 10-14g	Ribbed	
<b>3058</b>	50mm x 30mm x 1.5mm to 3mm	N/A	Ribbed	
<b>3062</b>	60mm x 30mm x 1.5mm to 3mm	N/A	Ribbed	
<b>3063</b>	60mm x 40mm x 2mm to 3.5mm	N/A	Ribbed	
<b>3065</b>	80mm x 40mm x 2.5mm to 4mm	N/A	Ribbed	
<b>3066</b>	100mm x 50mm x 2mm to 4mm	N/A	Ribbed	
	<b>Round End Caps</b>			
<b>3132</b>	19mm x 1mm to 2mm	¾" x 14-20g	Ribbed	
<b>3134</b>	25mm x 1mm to 2mm	1" x 14-20g	Ribbed	
<b>3010</b>	25mm x 2mm to 3.2mm	1" x 10-14g	Ribbed	
<b>3136</b>	32mm x 1mm to 3mm	1¼" x 14-20g	Ribbed	
<b>3137</b>	38mm x 1mm to 2mm	1½" x 14-20g	Ribbed	
<b>3944</b>	40mm x 1mm to 3mm	N/A	Ribbed	
<b>3945</b>	42mm x 1mm to 3mm	N/A	Ribbed	
<b>3947</b>	48mm x 1mm to 2.75mm	N/A	Ribbed	
<b>3023</b>	48mm x 3.5mm to 4.5mm	1 ¾" x 14-10g	Ribbed	
<b>3138</b>	50mm x 1mm to 2mm	2" x 14-20g	Ribbed	
<b>3015</b>	50mm x 2mm to 3mm	2" x 10-14g	Ribbed	
<b>3144</b>	76.2mm x 2mm to 4mm	3" x 8-14g	Ribbed	

# *Plastic Conveyor Roller Bearings*

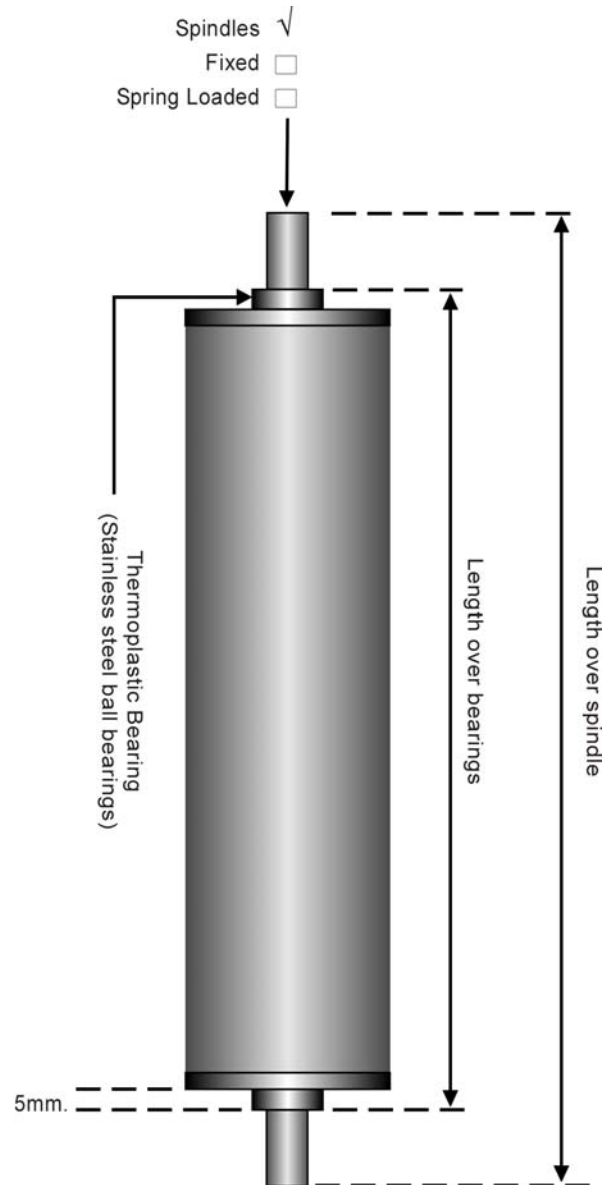


We sell a full range of plastic bearing with stainless steel ball bearings for people to make their own conveyor rollers. They are a push type fit & will fit into plastic or steel tube

<b>PART Number</b>	<b>BORE SIZE</b>	<b>COLOUR</b>	<b>LOAD RATING</b>	<b>For Up To Date Prices Please Go To <a href="http://www.cad1.co.uk">www.cad1.co.uk</a></b>
<b>For Steel Tubes</b>				
KTR-20mm x 1.5mm	6.1mm	Grey	5 Kg	
KTR-20mm x 1.5mm	8.1mm	Grey	5 Kg	
KTR-30mm x 1.5mm	6.1mm	Grey	7 Kg	
KTR-30mm x 1.5mm	8.1mm	Grey	7 Kg	
KTR-40mm x 1.5mm	10.1mm	Grey	7 Kg	
KTR-50mm x 1.5mm	8.1mm	Blue	10 Kg	
KTR-50mm x 1.5mm	10.1mm	Blue	10 Kg	
KTR-50mm x 1.5mm	11.1mm Hex	Blue	10 Kg	
KTR-50mm x 1.5mm	12.1mm	Blue	10 Kg	
<b>For Plastic Tube Only</b>				
KTR-50mm x 2.8mm	8.1mm	Blue	10 Kg	
KTR-50mm x 2.8mm	10.1mm	Blue	10 Kg	
KTR-50mm x 2.8mm	11.1mm Hex	Blue	10 Kg	

# Rollers - Stainless Steel, BZP, and Plastic

## (Print this to Fax your order)



Qty.....

Order / Quote No.....

Your Name.....

Company Name.....

Address.....

.....

.....

Post Code.....

Tel:.....Fax.....

Standard Roller type & Size	Load Rating	6mm round Spindles	8mm round Spindles	10mm round Spindles	11mm hex Spindles
30mm BZP semi- Precision Bearings	30 Kg	No	Yes	Yes	No
40mm BZP semi- Precision Bearings	50 Kg	No	Yes	Yes	Yes
50mm BZP semi- Precision Bearings	50 Kg	No	Yes	Yes	Yes
20mm Light grey plastic	6 Kg	Yes	Yes	No	No
30mm Light grey plastic	8 Kg	Yes	Yes	No	No
30mm blue plastic	8 Kg	No	Yes	No	No
40mm Light grey plastic	10 Kg	No	No	Yes	No
40mm blue plastic	10 Kg	No	No	Yes	No
50mm blue plastic	10 Kg	No	Yes	Yes	Yes
20mm stainless steel semi-Precision Bearing	6 kg	Yes	Yes	No	No
38mm stainless steel semi- Precision Bearings	25 Kg	No	No	Yes	No
50mm stainless steel semi- Precision Bearings	40 Kg	No	No	Yes	Yes
50mm Stainless steel Precision Bearings	80 Kg	No	No	Yes	No