



THE QUEEN'S AWARDS  
FOR ENTERPRISE:  
INTERNATIONAL TRADE  
2012



Designers and manufacturers of  
mirrors, mirror arms and  
components for:

Trucks  
Buses  
Plant  
Materials handling  
Off highway  
Agricultural  
Military



## Ashtree wins Queen's Award for Export

In April 2012, Ashtree was among a select band of UK businesses to receive the **Queen's Award for Enterprise (International Trade)**. This prestigious award is bestowed on companies which have demonstrated a consistent increase in their export sales over a number of years.

Later in the year, Ashtree was delighted to welcome His Royal Highness the Duke of Gloucester for the official award-giving ceremony. He was accompanied by the Lord Lieutenant of West Yorkshire, Dr Ingrid Roscoe.

The occasion also marked the opening of **Ashtree's new 600 sq metre factory extension**, see inside back cover, which will provide additional office, warehousing and manufacturing space.

**In November 2012 Ashtree directors Alan Roper and John Roper met Her Majesty Queen Elizabeth II at Buckingham Palace. The occasion was the official reception for Queen's Award winners.**



The Lord Lieutenant of West Yorkshire, Dr Ingrid Roscoe, inspects Ashtree's mirror arm assembly department.



The Duke of Gloucester photographed with Ashtree agents.



Ashtree managing director, Alan Roper, with the Duke of Gloucester by the plaque that marks the official opening of our extension.



Ashtree staff seen here with the Queens Enterprise Award crystal rose bowl.



**1977**

Founded as Ashtree Glass in Bradford. Ashtree was the name of the house the owner lived in and so the company took the name.

**1980**

After operating from a spare room the company moved into the first rented premises.

**1982**

After importing and distributing mirror glass Ashtree made the decision to open a glass cutting department.

**1984**

After several different rented premises the decision was made to purchase Ashtree Works on Brownroyd Street in Bradford. See 1984 aerial image to the left.

**1989**

The mirror division of the Desmo company in Birmingham was purchased. Desmo had OE mirror arms in the bus industry to complement the Ashtree range of mirrors.

**1990**

We exhibit at our first overseas trade show- Automechanika in Frankfurt, Germany. See image to the left.

**1992**

Bay four of Ashtree Works is rebuilt. Bay four is the left hand bay on the image above and to the left.

**1994**

Our first unbreakable mirrors are made. In 2012 Ashtree manufactured and distributed in excess of 50,000 mirrors with an unbreakable lens.

**1996**

After various quality systems we are approved to ISO 9002:1994 by the VCA. We are currently approved to ISO 9001:2008 and the VCA still do our certification.

**1997**

Continuing expansion means Ashtree need to develop bays 1, 2 & 3 of Ashtree Works. Bays 2 & 3 are merged to create one large work area.

The next years were taken up with trade shows, product development and sales visits that helped Ashtree grow in both domestic and international markets.

**2011**

Due to increasing expansion the decision was made to re-develop land on the side of Ashtree Works. Work commenced in the spring of 2012 and was completed in September. The addition of 600 square metres has given us room for future growth. How Ashtree Works looks now can be seen on the latest image to the left of this caption.







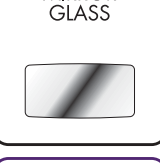
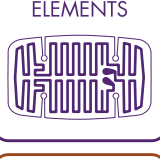
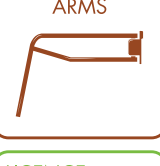

**2012**

All of the Ashtree overseas trade shows and sales trips are rewarded with a Queen's Award for Enterprise in International Trade.

The decision is made to change the company name to Ashtree Vision and Safety. We believe the name better reflects the direction in which the company has grown.

# Part Number Index

Ashtree Part No.	Page No.	Ashtree Part No.	Page No.	Ashtree Part No.	Page No.	Ashtree Part No.	Page No.
G200-G8231 glass	Pages 32-35	M5000FE	Page 7	M916CEH	Page 20	MX948B	Page 30
M2000CE	Page 5	M500CE	Page 8	M9201CEH	Page 20	MX950B	Page 31
M2000CEA2	Page 25	M500FE	Page 8	M920CEH	Page 20	MX950-Stud	Page 30
M2000FE	Page 5	M504CE	Page 17	M922CEH	Page 21	MX950-Tunnel	Page 31
M2000FEA2	Page 25	M504CEA	Page 18	M922FEH	Page 21	MX951B	Page 31
M200CE	Page 5	M5201CE	Page 8	M9231CEH	Page 21	MX951-Stud	Page 30
M200FE	Page 5	M520CE	Page 8	M923CEH	Page 21	MX951-Tunnel	Page 31
M235C	Page 25	M528CE	Page 8	M923FEH	Page 21	MX952	Page 31
M2381CE	Page 15	M545CE	Page 9	MO225CE	Page 5	PLH52	Page 46
M2382CE	Page 15	M545CEB	Page 9	MO613CE	Page 11	PLH60	Page 46
M238CE	Page 15	M555CE	Page 9	MO613CE-Black	Page 11	PLH74D	Page 46
M245C-42	Page 28	M555CEB	Page 9	MO702CE	Page 12	PLH74S	Page 46
M250CE	Page 15	M555CE-Yellow	Page 9	MX250CE	Page 22	PLH74T	Page 46
M250CEB	Page 15	M555CEB-Yellow	Page 9	MX250CEB	Page 22	S900 series arms	Page 36
M250CEB-Yellow	Page 15	M560C-42	Page 28	MX250CEB-Yellow	Page 22	S1084-3	Page 44
M250CE-Yellow	Page 15	M600CE	Page 9	MX250CE-Yellow	Page 22	S1085-3	Page 44
M3101CE	Page 6	M600CESW	Page 9	MX430CE	Page 22	S1090	Pages 16, 44
M3101CEB	Page 6	M600FE	Page 9	MX430CEB	Page 22	S1091	Page 18
M3102CE	Page 15	M602CE	Page 10	MX4402CE	Page 23	S1100 series arms	Pages 37,38
M3102CEA1	Page 26	M6101CE	Page 10	MX4402CEB	Page 23	S1170	Page 44
M3102CEB	Page 15	M610CE	Page 10	MX440CE	Page 22	S1170X	Page 44
M310CE	Page 6	M610CE-Yellow	Page 10	MX440CEB	Page 22	S1172	Page 44
M310CEA1	Page 26	M613CE	Page 10	MX440CEB-Yellow	Page 22	S1172X	Page 44
M310CEB	Page 6	M6261CE	Page 11	MX440CE-Yellow	Page 22	S1173	Page 27
M310CEB-Yellow	Page 6	M626CE	Page 11	MX550CE	Pages 18, 23,28	S1199	Page 44
M310CE-Yellow	Page 6	M631C	Page 27	MX550CEA	Pages 18,23	S1202	Page 44
M310FE	Page 6	M631CA	Page 27	MX550CEA3	Pages 19,23	S1203	Page 44
M310FEA1	Page 26	M701CE	Page 11	MX550CEB	Pages 18,23,28	S1216	Pages 18, 44
M310FEB	Page 6	M702CE	Page 12	MX555CE	Page 24	S1217	Page 44
M400CE	Page 6	M702CE-Yellow	Page 12	MX555CEB	Page 24	S1230	Page 25
M4101CE	Page 7	M703CE	Page 12	MX555CE-Yellow	Page 24	S1300 series arms	Pages 39-41
M410CE	Page 7	M703CE-Yellow	Page 12	MX555CEB-Yellow	Page 24	S1400	Page 45
M430CE	Page 16	M7141CE	Page 13	MX6351CE	Pages 19,24,29	S1401	Page 45
M430CEA1	Page 16	M7141CE-Yellow	Page 13	MX6351CEB	Pages 19,24,29	S1402	Page 45
M430CEB	Page 16	M714CE	Page 13	MX635CE	Pages 19,24,29	S1406	Page 45
M430CESW	Page 16	M714CE-Yellow	Page 13	MX635CEB	Pages 19,24,29	S1500 series arms	Pages 42,43
M435CE	Page 17	M714FE	Page 13	MX725CEB	Page 24	Y2089	Pages 36, 37
M435CEA2	Page 26	M725CEB	Page 13	MX725CEB-Yellow	Page 24	Y2177	Page 47
M435CE-Stud	Page 17	M725CEB-Yellow	Page 13	MX941	Page 29	Y2600-Y2619	Page 35
M4402CE	Page 17	M800CE	Page 13	MX941A	Page 29	Y2671	Page 45
M4402CEB	Page 17	M807CE	Page 14	MX941B	Page 29	Y2675	Pages 21,47
M440CE	Page 7	M820CE	Page 14	MX942	Page 29	Y2676	Page 47
M440CEA2	Page 26	M8231CE	Page 14	MX942A	Page 29	Y2677-12	Pages 21,47
M440CEB	Page 7	M9121CEH	Page 20	MX942B	Page 29	Y2677-24	Pages 21,47
M440CEB-Yellow	Page 7	M912CEH	Page 20	MX943	Pages 27,30	Y2680	Page 45
M440CE-Yellow	Page 7	M9151CEH	Page 20	MX943A2	Page 27	Y26-Spares kits	Page 47
M5000CE	Page 7	M915CEH	Page 20	MX948	Page 30		

 <p>MAIN MIRRORS CLASS II, III</p>	<p>Main mirrors for drivers and operators.</p>	<p>PAGES 5 - 14</p>
 <p>WIDE ANGLE MIRRORS CLASS IV, V, VI</p>	<p>Wide angle mirrors - Class IV Overdoor - kerb mirrors - Class V Front view or over screen mirrors - Class VI</p>	<p>PAGES 15 - 19</p>
 <p>POWERED &amp; ADJUSTABLE MIRRORS</p>	<p>Powered and manually adjustable mirrors.</p>	<p>PAGES 20 - 21</p>
 <p>UNBREAKABLE MIRRORS</p>	<p>Unbreakable mirrors for many different types of vehicles and machines.</p>	<p>PAGES 22 - 24</p>
 <p>INTERIOR MIRRORS</p>	<p>Interior mirrors for all types of vehicles and machines.</p>	<p>PAGES 25 - 27</p>
 <p>SAFETY MIRRORS</p>	<p>Widely used in the Plant, Off Highway, Agricultural and Materials Handling industries.</p>	<p>PAGES 28 - 31</p>
 <p>MIRROR GLASS</p>	<p>Replacement glasses for Ashtree mirrors and also many other manufacturers.</p>	<p>PAGES 32 - 35</p>
 <p>HEATING ELEMENTS</p>	<p>The Ashtree exclusive heavy duty elements as well as a range of traditional foil elements.</p>	<p>PAGE 35</p>
 <p>MIRROR ARMS</p>	<p>Ashtree manufacture four different ranges of mirror arm. S900 &amp; S1100 in 16mm diameter. S1300 in 19mm diameter and S1500 in 28mm diameter.</p>	<p>PAGES 36 - 45</p>
 <p>LICENCE HOLDERS &amp; ACCESSORIES</p>	<p>MOT Plate holders, height indicators, licence holders, spares kits, cables and switches.</p>	<p>PAGES 46 - 47</p>

# Mirror 'e' Number Index

Current EU regulations require that newly homologated vehicles are now fitted with mirrors which have been tested to the latest EU directives: 2003/97/EC & 2005/27/EC. For this reason most of our older mirrors are being re-tested and have the 03\* prefix, instead of the old 02\* prefix. Both numbers are shown in this list.

"e" Number	Ashtree Part No.	Page No.	"e" Number	Ashtree Part No.	Page No.
e11 III 02*1008	M400CE	6	e11 IV V 03*6320	M238CE	15
e11 II 02*3701	M600CE	9	e11 IV V 03*6320	M2381CE	15
e11 II 02*3701	M600FE	9	e11 VI 03*6320	M2382CE	15
e11 III 02*3702	M5000FE	7	e11 IV V 03*6343	MX6351CE	19, 24 & 29
e11 III 02*3702	M500FE	8	e11 VI 03*6343	MX635CE	19, 24 & 29
e11 II 02*3703	M5000CE	7	e11 IV V 03*6404	M430CE	16
e11 II 02*3703	M500CE	8	e11 IV V 03*6404	M430CEA1	16
e11 III 02*3704	M2000CE	5	e11 VI 03*6447	MX550CE	18, 23 & 28
e11 III 02*3704	M2000FE	5	e11 IV V 03*6588	M435CE	17
e11 III 02*3704	M200CE	5	e11 II III 03*6589	M725CEB	13
e11 III 02*3704	M200FE	5	e11 II III 03*6590	M555CE	9
e11 II 02*3705	M601CE	NIC	e11 II III 03*6619	M440CE	7
e11 II 02*3709	M800CE	13	e11 III 03*6622	M5000FE	7
e11 II 02*3710	M701CE	11	e11 III 03*6622	M500FE	8
e11 II 02*3711	M602CE	10	e11 II 03*6623	M5000CE	7
e11 III 02*3712	M410CE	7	e11 II 03*6623	M500CE	8
e11 II 02*3713	M4101CE	7	e11 III 03*6624	M2000CE	5
e11 IV 02*3714	M4102CE	NIC	e11 III 03*6624	M2000FE	5
e11 II 02*3716	M702CE	12	e11 III 03*6624	M200CE	5
e11 II 02*3717	M802CE	NIC	e11 III 03*6624	M200FE	5
e11 II 02*3718	M703CE	12	e11 II 03*6625	M701CE	11
e11 I 02*3719	M310CEA1	26	e11 II 03*6626	M602CE	10
e11 I 02*3719	M310FEA1	26	e11 III 03*6627	M410CE	7
e11 IV 02*3720	M3102CE	15	e11 II 03*6628	M4101CE	7
e11 V 02*3720	M3102CEA1	26	e11 IV 03*6629	M4102CE	NIC
e11 II 02*3721	M3101CE	6	e11 II 03*6630	M702CE	12
e11 III 02*3722	M310CE	6	e11 II 03*6631	M703CE	12
e11 III 02*3722	M310FE	6	e11 I 03*6632	M310CEA1	26
e11 III 02*3722	M310CE	6	e11 I 03*6632	M310FEA1	26
e11 III 02*3722	M310FE	6	e11 IV 03*6633	M3102CE	15
e11 II 02*5326	MO702CE	12	e11 V 03*6633	M3102CEA1	26
e11 II 02*5464	M520CE	8	e11 II 03*6634	M3101CE	6
e11 IV 02*5465	M504CE	17	e11 III 03*6635	M310CE	6
e11V 02*5465	M504CEA	18	e11 III 03*6635	M310FE	6
e11 III 02*5473	M5201CE	8	e11 II 03*6636	M520CE	8
e11 II 02*5508	M807CE	14	e11 III 03*6637	M5201CE	8
e11 II 02*5509	M621CE	NIC	e11 II 03*6638	M613CE	10
e11 II 02*5510	M613CE	10	e11 II 03*6639	M714CE	13
e11 II 02*5511	M714CE	13	e11 II 03*6639	M714FE	13
e11 II 02*5511	M714FE	13	e11 III 03*6640	M7141CE	13
e11 III 02*5572	M7141CE	13	e11 II IV 03*6641	M922CEH	21
e11 II IV 02*5703	M902CEH	NIC	e11 II IV 03*6641	M922FEH	21
e11 II IV 02*5703	M902FEH	NIC	e11 II IV 03*6642	M9231CEH	21
e11 II IV 02*5704	M9021CEH	NIC	e11 III IV 03*6642	M9221CEH	NIC
e11 II 02*5803	M610CE	10	e11 II 03*6643	M610CE	10
e11 III 02*5804	M6101CE	10	e11 III 03*6644	M6101CE	10
e11 II 03*5957	M820CE	14	e11 III 03*6645	M9121CEH	20
e11 III 03*6125	M6261CE	11	e11 II 03*6645	M912CEH	20
e11 II 03*6125	M626CE	11	e11 II 03*6737	M800CE	13
e11 II 03*6126	M528CE	8	e11 II 03*6741	M807CE	14
e11 II 03*6203	M915CEH	20	e11 II 03*6742	M621CE	NIC
e11 II 03*6203	M916CEH	20	e11 IV V 03*6843	M250CE	15
e11 III 03*6203	M9151CEH	20	e11 II III 03*6921	M8231CE	14
e11 II 03*6287	M545CE	9	e11 IV V 03*8012	M4402CE	17
e11 II IV 03*6288	M9201CEH	20	e3 II 02*56323	MO613CE	11
e11 II IV 03*6288	M920CEH	20	e4 II 02*5914	MO225CE	5



**M200CE**  
e11 III 03\*6624

<b>Fitment</b> 13-16mm	<b>Radius</b> 1200mm	<b>Replacement Glass</b> G200CE
---------------------------	-------------------------	------------------------------------

---

**M200FE**  
e11 III 03\*6624

<b>Fitment</b> 13-16mm	<b>Radius</b> Flat	<b>Replacement Glass</b> G200FE
---------------------------	-----------------------	------------------------------------

**Mirror**  
183mm x 131mm

**Glass**  
177mm x 125mm

**Mirror Body**  
ABS

**Clamp**  
Steel



**M2000CE**  
e11 III 03\*6624

<b>Fitment</b> 10-20mm	<b>Radius</b> 1200mm	<b>Replacement Glass</b> G200CE
---------------------------	-------------------------	------------------------------------

---

**M2000FE**  
e11 III 03\*6624

<b>Fitment</b> 10-20mm	<b>Radius</b> Flat	<b>Replacement Glass</b> G200FE
---------------------------	-----------------------	------------------------------------

**Mirror**  
183mm x 131mm

**Glass**  
177mm x 125mm

**Mirror Body**  
ABS

**Clamp**  
Glass filled nylon



**MO225CE**  
e4 II 02\*5914

<b>Fitment</b> 20mm	<b>Radius</b> 1200mm	
------------------------	-------------------------	--

**Mirror**  
234mm x 177mm

**Mirror Body**  
Black Plastic



### M310CE

e11 III 03\*6635

Fitment  
10-20mm

Radius  
1200mm

M310CE  
Yellow

Replacement Glass  
G410CE

### M3101CE

e11 II 03\*6634

Fitment  
10-20mm

Radius  
1800mm

Replacement Glass  
G4101CE

### M310FE

e11 III 03\*6635

Fitment  
10-20mm

Radius  
Flat

Replacement Glass  
G410FE

**Mirror**  
252mm x 168mm

**Glass**  
236mm x 152mm

**Mirror Body**  
ABS

**Clamp**  
Glass filled nylon

*Heated version available,  
may be subject to minimum  
quantity*

### M310CEB

e11 III 03\*6635

Fitment  
16-28mm

Radius  
1200mm

M310CEB  
Yellow

Replacement Glass  
G410CE

### M3101CEB

e11 II 03\*6634

Fitment  
16-28mm

Radius  
1800mm

Replacement Glass  
G4101CE

### M310FEB

e11 III 03\*6635

Fitment  
16-28mm

Radius  
Flat

Replacement Glass  
G410FE

**Mirror**  
252mm x 168mm

**Glass**  
236mm x 152mm

**Mirror Body**  
ABS

**Clamp**  
Glass filled nylon

*Heated version available,  
may be subject to minimum  
quantity*

### M400CE

e11 III 02\*1008

Fitment  
13-16mm

Radius  
1200mm

Replacement Glass  
G400CE

**Mirror**  
242mm x 163mm

**Glass**  
234mm x 155mm

**Mirror Body**  
Steel

**Clamp**  
Steel





**M410CE**  
e11 III 03\*6627

<b>Fitment</b> 16-22mm	<b>Radius</b> 1200mm	<b>Replacement Glass</b> G410CE
---------------------------	-------------------------	------------------------------------

**M4101CE**  
e11 II 03\*6628

<b>Fitment</b> 16-22mm	<b>Radius</b> 1800mm	<b>Replacement Glass</b> G4101CE
---------------------------	-------------------------	-------------------------------------

**Mirror**  
252mm x 168mm

**Glass**  
236mm x 152mm

**Mirror Body**  
ABS

**Clamp**  
Glass filled nylon

**M440CE**  
e11 II & III 03\*6619

<b>Fitment</b> 10-20mm	<b>Radius</b> 1200mm	<b>M440CE</b> Yellow	<b>Replacement Glass</b> G410CE
---------------------------	-------------------------	-------------------------	------------------------------------

**M440CEB**  
e11 II & III 03\*6619


<b>Fitment</b> 16-28mm	<b>Radius</b> 1200mm	<b>M440CEB</b> Yellow	<b>Replacement Glass</b> G410CE
---------------------------	-------------------------	--------------------------	------------------------------------

**Mirror**  
245mm x 162mm

**Glass**  
236mm x 152mm

**Mirror Body**  
ABS

**Clamp**  
Glass filled nylon

  
see page 22.

**M5000CE**  
e11 II 03\*6623

<b>Fitment</b> 10-20mm	<b>Radius</b> 1800mm	<b>Replacement Glass</b> G500CE
---------------------------	-------------------------	------------------------------------

**M5000FE**  
e11 III 03\*6622

<b>Fitment</b> 10-20mm	<b>Radius</b> Flat	<b>Replacement Glass</b> G500FE
---------------------------	-----------------------	------------------------------------

**Mirror**  
260mm x 160mm

**Glass**  
253mm x 153mm

**Mirror Body**  
ABS

**Clamp**  
Glass filled nylon



**M500CE**  
e11 II 03\*6623

<b>Fitment</b> 13-16mm	<b>Radius</b> 1800mm	<b>Replacement Glass</b> G500CE
---------------------------	-------------------------	------------------------------------

---

**M500FE**  
e11 III 03\*6622

<b>Fitment</b> 13-16mm	<b>Radius</b> Flat	<b>Replacement Glass</b> G500FE
---------------------------	-----------------------	------------------------------------

**Mirror**  
260mm x 160mm

**Glass**  
253mm x 153mm

**Mirror Body**  
ABS

**Clamp**  
Steel



**M520CE**  
e11 II 03\*6636

<b>Fitment</b> 16-22mm	<b>Radius</b> 1800mm	<b>Replacement Glass</b> G520CE
---------------------------	-------------------------	------------------------------------

---

**M5201CE**  
e11 III 03\*6637

<b>Fitment</b> 16-22mm	<b>Radius</b> 1200mm	<b>Replacement Glass</b> G5201CE
---------------------------	-------------------------	-------------------------------------

**Mirror**  
308mm x 186mm

**Glass**  
291mm x 170mm

**Mirror Body**  
ABS

**Clamp**  
Glass filled nylon

*Heated version available, may be subject to minimum quantity*



**M528CE**  
e11 II 03\*6126

<b>Fitment</b> 16-28mm	<b>Radius</b> 1800mm	<b>Replacement Glass</b> G528CE
---------------------------	-------------------------	------------------------------------

**Mirror**  
296mm x 215mm

**Glass**  
281mm x 201mm

**Mirror Body**  
ABS

**Clamp**  
Glass filled nylon



**M545CE**  
e11 II 03\*6287

<b>Fitment</b> 10-20mm	<b>Radius</b> 1800mm	<b>Replacement Glass</b> G545CE
---------------------------	-------------------------	------------------------------------

**M545CEB**  
e11 II 03\*6287

<b>Fitment</b> 16-28mm	<b>Radius</b> 1800mm	<b>Replacement Glass</b> G545CE
---------------------------	-------------------------	------------------------------------

**Mirror**  
259mm x 200mm

**Glass**  
248mm x 190mm

**Mirror Body**  
ABS

**Clamp**  
Glass filled nylon

**M555CE**  
e11 II & III 03\*6590

<b>Fitment</b> 10-20mm	<b>Radius</b> 1200mm	<b>M555CE Yellow</b>	<b>Replacement Glass</b> G555CE
---------------------------	-------------------------	----------------------	------------------------------------

**M555CEB**  
e11 II & III 03\*6590


<b>Fitment</b> 16-28mm	<b>Radius</b> 1200mm	<b>M555CEB Yellow</b>	<b>Replacement Glass</b> G555CE
---------------------------	-------------------------	-----------------------	------------------------------------

**Mirror**  
276mm x 185mm

**Glass**  
255mm x 175mm

**Mirror Body**  
ABS

**Clamp**  
Glass filled nylon



*see page 24.*

**M600CE**  
e11 II 02\*3701

<b>Fitment</b> 16-22mm	<b>Radius</b> 1800mm	<b>Replacement Glass</b> G600CE
---------------------------	-------------------------	------------------------------------

**M600FE**  
e11 II 02\*3701

<b>Fitment</b> 16-22mm	<b>Radius</b> Flat	<b>Replacement Glass</b> G600FE
---------------------------	-----------------------	------------------------------------

**M600CESW**  
e11 II 02\*3701

<b>Fitment</b> 16-22mm	<b>Radius</b> 1800mm	<b>Replacement Glass</b> G600CE
---------------------------	-------------------------	------------------------------------

**Mirror**  
318mm x 220mm

**Glass**  
300mm x 210mm

**Mirror Body**  
Steel

**Clamp**  
**M600CE & M600FE**  
Glass filled nylon  
**M600CESW** Steel

**M600CE - Heated version available, may be subject to minimum quantity**



**M602CE**  
e11 II 03\*6626

<b>Fitment</b> 16-22mm	<b>Radius</b> 1800mm	<b>Replacement Glass</b> G602CE
---------------------------	-------------------------	------------------------------------

**Mirror**  
345mm x 227mm

**Glass**  
331mm x 214mm

**Mirror Body**  
ABS

**Clamp**  
Glass filled nylon

*Heated version available, may be subject to minimum quantity*



**M610CE**  
e11 II 03\*6643

<b>Fitment</b> 16-28mm	<b>Radius</b> 1800mm	<b>M610CE</b> Yellow	<b>Replacement Glass</b> G610CE
---------------------------	-------------------------	-------------------------	------------------------------------

**M6101CE**  
e11 III 03\*6644

<b>Fitment</b> 16-28mm	<b>Radius</b> 1200mm	<b>Replacement Glass</b> G6101CE
---------------------------	-------------------------	-------------------------------------

**Mirror**  
325mm x 195mm

**Glass**  
309mm x 178mm

**Mirror Body**  
ABS

**Clamp**  
Glass filled nylon

*Heated version available, may be subject to minimum quantity*



**M613CE**  
e11 II 03\*6638

<b>Fitment</b> 16-22mm	<b>Radius</b> 1800mm	<b>Replacement Glass</b> G613CE
---------------------------	-------------------------	------------------------------------

**Mirror**  
364mm x 214mm

**Glass**  
347mm x 196mm

**Mirror Body**  
ABS

**Clamp**  
Glass filled nylon

*Heated version available, may be subject to minimum quantity*



### MO613CE

e3 II 02\*56323

**Fitment**  
16-19mm

**Radius**  
1800mm

Replacement Glass  
**G613CE**

### MO613CE-Black

e3 II 02\*56323

**Fitment**  
16-19mm

**Radius**  
1800mm

Replacement Glass  
**G613CE**

**Mirror**  
362mm x 212mm

**Glass**  
347mm x 196mm

**Mirror Body**  
Grey or Black Plastic

*Heated version available,  
may be subject to minimum  
quantity*



### M626CE

e11 II 03\*6125

**Fitment**  
16-28mm

**Radius**  
1800mm

Replacement Glass  
**G626CE**

### M6261CE

e11 III 03\*6125

**Fitment**  
16-28mm

**Radius**  
1200mm

Replacement Glass  
**G6261CE**

**Mirror**  
329mm x 238mm

**Glass**  
315mm x 225mm

**Mirror Body**  
ABS

**Clamp**  
Glass filled nylon



### M701CE

e11 II 03\*6625

**Fitment**  
16-22mm

**Radius**  
1800mm

Replacement Glass  
**G701CE**

**Mirror**  
389mm x 204mm

**Glass**  
375mm x 190mm

**Mirror Body**  
ABS

**Clamp**  
Glass filled nylon

*Heated version available,  
may be subject to minimum  
quantity*



**M702CE**  
e11 II 03\*6630

<b>Fitment</b> 16-22mm	<b>Radius</b> 1800mm	<b>M702CE</b> Yellow	<b>Replacement Glass</b> G702CE
---------------------------	-------------------------	-------------------------	------------------------------------

**Mirror**  
370mm x 184mm

**Glass**  
355mm x 170mm

**Mirror Body**  
ABS

**Clamp**  
Glass filled nylon

*Heated version available, may be subject to minimum quantity*



**MO702CE**  
e11 II 02\*5326

<b>Fitment</b> 18mm	<b>Radius</b> 1800mm	<b>Replacement Glass</b> G702CE
------------------------	-------------------------	------------------------------------

**Mirror**  
370mm x 185mm

**Glass**  
355mm x 170mm

**Mirror Body**  
Black Plastic

*Heated version available, may be subject to minimum quantity*



**M703CE**  
e11 II 03\*6631

<b>Fitment</b> 16-22mm	<b>Radius</b> 1800mm	<b>M703CE</b> Yellow	<b>Replacement Glass</b> G703CE
---------------------------	-------------------------	-------------------------	------------------------------------

**Mirror**  
412mm x 225mm

**Glass**  
396mm x 208mm

**Mirror Body**  
ABS

**Clamp**  
Glass filled nylon

*Heated version available, may be subject to minimum quantity*



**M714CE**  
e11 II 03\*6639

<b>Fitment</b> 16-28mm	<b>Radius</b> 1800mm	<b>M714CE</b> Yellow	<b>Replacement Glass</b> G714CE
---------------------------	-------------------------	-------------------------	------------------------------------

**M7141CE**  
e11 III 03\*6640

<b>Fitment</b> 16-28mm	<b>Radius</b> 1200mm	<b>M7141CE</b> Yellow	<b>Replacement Glass</b> G7141CE
---------------------------	-------------------------	--------------------------	-------------------------------------

**M714FE**  
e11 II 03\*6639

<b>Fitment</b> 16-28mm	<b>Radius</b> Flat		<b>Replacement Glass</b> G714FE
---------------------------	-----------------------	--	------------------------------------

**Mirror**  
383mm x 193mm

**Glass**  
362mm x 174mm

**Mirror Body**  
ABS

**Clamp**  
Glass filled nylon

*Heated version available, may be subject to minimum quantity*



**M725CEB**  
e11 II & III 03\*6589

<b>Fitment</b> 16-28mm	<b>Radius</b> 1200mm	<b>M725CEB</b> Yellow	<b>Replacement Glass</b> G725CE
---------------------------	-------------------------	--------------------------	------------------------------------


**Mirror**  
390mm x 190mm

**Glass**  
381mm x 182mm

**Mirror Body**  
ABS

**Clamp**  
Glass filled nylon

*Heated version available, may be subject to minimum quantity*

 *see page 24.*



**M800CE**  
e11 II 03\*6737

<b>Fitment</b> 16-28mm	<b>Radius</b> 1800mm		<b>Replacement Glass</b> G800CE
---------------------------	-------------------------	--	------------------------------------

**Mirror**  
425mm x 230mm

**Glass**  
415mm x 220mm

**Mirror Body**  
ABS

**Clamp**  
Glass filled nylon

*Heated version available, may be subject to minimum quantity*



### M807CE

e11 II 03\*6741

Fitment  
16-22mm

Radius  
1800mm

Replacement Glass  
G807CE

**Mirror**  
443mm x 214mm

**Glass**  
427mm x 197mm

**Mirror Body**  
ABS

**Clamp**  
Glass filled nylon

*Heated version available,  
may be subject to minimum  
quantity*



### M820CE

e11 II 03\*5957

Fitment  
16-28mm

Radius  
1800mm

Replacement Glass  
G820CE

**Mirror**  
422mm x 228mm

**Glass**  
402mm x 209mm

**Mirror Body**  
ABS

**Clamp**  
Glass filled nylon



### M8231CE

e11 II & III 03\*6921

Fitment  
16-28mm

Radius  
1200mm

Replacement Glass  
G8231CE

**Mirror**  
420mm x 217mm

**Glass**  
409mm x 209mm

**Mirror Body**  
ABS

**Clamp**  
Glass filled nylon






<b>M238CE</b>		
e11 IV & V 03*6320		
<b>Fitment</b> 16-28mm	<b>Radius</b> 450mm	<b>Replacement Glass</b> G238CE
<b>M2381CE</b>		
e11 IV & V 03*6320		
<b>Fitment</b> 16-28mm	<b>Radius</b> 300mm	<b>Replacement Glass</b> G2381CE
<b>M2382CE</b>		
e11 VI 03*6320		
<b>Fitment</b> 16-28mm	<b>Radius</b> 200mm	<b>Replacement Glass</b> G2382CE

<b>Mirror</b> 193mm x 193mm
<b>Glass</b> 174mm x 174mm
<b>Mirror Body</b> ABS
<b>Clamp</b> Glass filled nylon
<i>Heated version available, may be subject to minimum quantity</i>

<b>M250CE</b>		
e11 IV & V 03*6843		
<b>Fitment</b> 10-20mm	<b>Radius</b> 300mm	<b>M250CE Yellow</b>
<b>Replacement Glass</b> G250CE		
<b>M250CEB</b>		
e11 IV & V 03*6843		
<b>Fitment</b> 16-28mm	<b>Radius</b> 300mm	<b>M250CEB Yellow</b>
<b>Replacement Glass</b> G250CE		

<b>Mirror</b> 208mm x 208mm
<b>Glass</b> 198mm x 198mm
<b>Mirror Body</b> ABS
<b>Clamp</b> Glass filled nylon
<i>Heated version available, may be subject to minimum quantity</i>
 <i>see page 22.</i>

<b>M3102CE</b>		
e11 IV 03*6633		
<b>Fitment</b> 10-20mm	<b>Radius</b> 450mm	<b>Replacement Glass</b> G4102CE
<b>M3102CEB</b>		
e11 IV 03*6633		
<b>Fitment</b> 16-28mm	<b>Radius</b> 450mm	<b>Replacement Glass</b> G4102CE

<b>Mirror</b> 252mm x 168mm
<b>Glass</b> 236mm x 152mm
<b>Mirror Body</b> ABS
<b>Clamp</b> Glass filled nylon
<i>Heated version available, may be subject to minimum quantity</i>



### M430CE

e11 IV 03\*6404

**Fitment**  
10-22mm

**Radius**  
300mm

**Replacement Glass**  
G430CE

### M430CEB

e11 IV 03\*6404

**Fitment**  
16-28mm

**Radius**  
300mm

**Replacement Glass**  
G430CE

**Mirror**  
240mm x 155mm

**Glass**  
235mm x 150mm

**Mirror Body**  
ABS

**Clamp**  
Glass filled nylon

*Heated version available,  
may be subject to minimum  
quantity*



*see page 22.*



### M430CEA1

e11 IV 03\*6404

**Radius**  
300mm

**Replacement Glass**  
G430CE

### S1090

Arm only

**Mirror**  
240mm x 155mm

**Glass**  
235mm x 150mm

**Mirror Body**  
ABS

**Clamp**  
Glass filled nylon

*Arm with 2 x 6mm slots at  
40-60mm centres*



### M430CESW

e11 IV & V 03\*6404

**Fitment**  
16-22mm

**Radius**  
300mm

**Replacement Glass**  
G430CE

**Mirror**  
240mm x 155mm

**Glass**  
235mm x 150mm

**Mirror Body**  
ABS

**Clamp**  
Steel

*Comes complete with a  
handwheel for easy  
tightening*



**M435CE**  
e11 IV & V 03\*6588

<b>Fitment</b> 10-20mm	<b>Radius</b> 300mm	<b>Replacement Glass</b> G435CE
---------------------------	------------------------	------------------------------------

**M435CE-Stud**  
e11 IV & V 03\*6588

<b>Fitment</b> M6 Stud	<b>Radius</b> 300mm	<b>Replacement Glass</b> G435CE
---------------------------	------------------------	------------------------------------

**Mirror**  
215mm x 118mm

**Glass**  
210mm x 112mm

**Mirror Body**  
ABS

**M435CE Clamp** -  
Glass filled nylon



**M4402CE**  
e11 IV & V 03\*8012

<b>Fitment</b> 10-20mm	<b>Radius</b> 450mm	<b>Replacement Glass</b> G4402CE
---------------------------	------------------------	-------------------------------------

**M4402CEB**  
e11 IV & V 03\*8012

<b>Fitment</b> 16-28mm	<b>Radius</b> 450mm	<b>Replacement Glass</b> G4402CE
---------------------------	------------------------	-------------------------------------


**Mirror**  
245mm x 162mm

**Glass**  
236mm x 151mm

**Mirror Body**  
ABS

**Clamp**  
Glass filled nylon

*see page 23.*




**M504CE**  
e11 IV 02\*5465

<b>Fitment</b> 16-22mm	<b>Radius</b> 450mm	<b>Replacement Glass</b> G504CE
---------------------------	------------------------	------------------------------------

**Mirror**  
253mm x 153mm

**Glass**  
250mm x 150mm

**Mirror Body**  
ABS

**Clamp**  
Steel

*Comes complete with a handwheel for easy tightening*



**M504CEA**  
e11 V 02\*5465

**Radius**  
450mm

Replacement Glass  
**G504CE**

**S1216**  
Arm only

**Mirror**  
253mm x 153mm

**Glass**  
250mm x 150mm

**Mirror Body**  
ABS

**Clamp**  
Steel

*Arm with 2 x 7mm slots at 75-80mm centres*



**MX550CE**  
e11 VI 03\*6447

**Fitment**  
10-22mm

**Radius**  
250mm

*See page 48 for more details.*

**MX550CEB**  
e11 VI 03\*6447

**Fitment**  
16-28mm

**Radius**  
250mm

**Mirror**  
293mm x 210mm

**Mirror Body**  
ABS

**Clamp**  
Glass filled nylon

*Unbreakable lens*



**MX550CEA**  
e11 VI 03\*6447

**Radius**  
250mm

*See page 48 for more details.*

**S1091**  
Arm only

**Mirror**  
293mm x 210mm

**Mirror Body**  
ABS

**Clamp**  
Glass filled nylon

*Unbreakable lens. Comes complete with 440mm long, 19mm diameter arm with clamp that fits 16-28mm diameter arms.*



### MX550CEA3

e11 VI 03\*6447



See page 48 for more details.

**Mirror**  
293mm x 210mm

**Mirror Body**  
ABS

**Clamp**  
Glass filled nylon

*Unbreakable lens. Universal class VI mirror kit complete with arm and mounting bracket suitable for vertical or horizontal fitment.*



### MX635CE

e11 VI 03\*6343



### MX6351CE

e11 IV & V 03\*6343



**Mirror**  
307mm diameter

**Mirror Body**  
ABS

**Clamp**  
Glass filled nylon

*Unbreakable lens*



### MX635CEB

e11 VI 03\*6343



### MX6351CEB

e11 IV & V 03\*6343



**Mirror**  
307mm diameter

**Mirror Body**  
ABS

**Clamp**  
Glass filled nylon

*Unbreakable lens*



**M912CEH**  
e11 II 03\*6645

<b>Fitment</b> 16-28mm	<b>Radius</b> 1800mm	<b>Replacement Glass</b> G714CEHc
---------------------------	-------------------------	--------------------------------------

**M9121CEH**  
e11 III 03\*6645

<b>Fitment</b> 16-28mm	<b>Radius</b> 1200mm	<b>Replacement Glass</b> G7141CEHc
---------------------------	-------------------------	---------------------------------------

**Mirror**  
400mm x 210mm

**Glass**  
362mm x 174mm

**Mirror Body**  
ABS

**Clamp**  
Glass filled nylon

*Electrically adjustable and heated*



**M915CEH**  
e11 II 03\*6203

<b>Fitment</b> 16-28mm	<b>Radius</b> 1800mm	<b>Replacement Glass</b> G714CEHc
---------------------------	-------------------------	--------------------------------------

**M916CEH**  
e11 II 03\*6203

<b>Fitment</b> 16-28mm	<b>Radius</b> 1800mm	<b>Replacement Glass</b> G714CEHc
---------------------------	-------------------------	--------------------------------------

**M9151CEH**  
e11 III 03\*6203

<b>Fitment</b> 16-28mm	<b>Radius</b> 1200mm	<b>Replacement Glass</b> G7141CEHc
---------------------------	-------------------------	---------------------------------------

**Mirror**  
401mm x 210mm

**Glass**  
362mm x 174mm

**Mirror Body**  
ABS

**Clamp**  
Steel

**M915CEH & M9151CEH**  
*Electrically adjustable and heated*

**M916CEH** *Hand adjustable and heated*



**M920CEH**  
e11 II IV 03\*6288

<b>Fitment</b> 16-28mm	<b>Radius</b> 1800mm	<b>Replacement Glass</b> G714CEHc	<b>Radius</b> 300mm	<b>Replacement Glass</b> G2371CEHc
---------------------------	-------------------------	--------------------------------------	------------------------	---------------------------------------

**M9201CEH**  
e11 II IV 03\*6288

<b>Fitment</b> 16-28mm	<b>Radius</b> 1200mm	<b>Replacement Glass</b> G7141CEHc	<b>Radius</b> 300mm	<b>Replacement Glass</b> G2371CEHc
---------------------------	-------------------------	---------------------------------------	------------------------	---------------------------------------

**Mirror**  
570mm x 214mm

**Glass**  
G714CEHc - 362mm x 174mm  
G2371CEHc - 173mm x 176mm

**Mirror Body**  
ABS

**Clamp**  
Steel

*Electrically adjustable and heated*



**M922CEH**  
e11 II IV 03\*6641

Radius 1800mm	Replacement Glass G536CEHc	Radius 300mm	Replacement Glass G2231CEHc
------------------	-------------------------------	-----------------	--------------------------------

Fitment  
16-28mm

**M923CEH**  
e11 II IV 03\*6641

Radius 1800mm	Replacement Glass G536CEHc	Radius 300mm	Replacement Glass G2231CEHc
------------------	-------------------------------	-----------------	--------------------------------

Fitment  
16-28mm

**M922FEH**  
e11 II IV 03\*6641

Radius Flat	Replacement Glass G536FEHc	Radius 300mm	Replacement Glass G2231CEHc
----------------	-------------------------------	-----------------	--------------------------------

Fitment  
16-28mm

**M923FEH**  
e11 II IV 03\*6641

Radius Flat	Replacement Glass G536FEHc	Radius 300mm	Replacement Glass G2231CEHc
----------------	-------------------------------	-----------------	--------------------------------

Fitment  
16-28mm

**M9231CEH**  
e11 II IV 03\*6642

Radius 1200mm	Replacement Glass G5361CEHc	Radius 300mm	Replacement Glass G2231CEHc
------------------	--------------------------------	-----------------	--------------------------------

Fitment  
16-28mm



**Y2675**

**Y2677-24**

**Y2677-12**

**Mirror**  
400mm x 210mm

**Glass**  
G536 glasses  
258mm x 175mm  
G2231 glasses  
185mm x 95mm

**Mirror Body**  
ABS

**Clamp**  
Glass filled nylon

**M922CEH & M922FEH - Electrically adjustable and heated**

**M923CEH & M923FEH - Hand adjustable and heated**

**Mirror**  
400mm x 210mm

**Glass**  
G5361CEHc  
258mm x 175mm  
G2231CEHc  
185mm x 95mm

**Mirror Body**  
ABS

**Clamp**  
Glass filled nylon

**Hand adjustable and heated**

6 way plug with 2 metre cable

**Y2677-24 - 24 volt**  
**Y2677-12 - 12 volt**  
4 way mirror adjustment switch (both sides). Complete with 2 metres of cable. Dimensions: 47mm x 38mm to fit hole 44mm x 33mm



**MX250CE**  
e11 IV & V 03\*6843

<b>Fitment</b> 10-22mm	<b>Radius</b> 300mm	<b>MX250CE</b> Yellow	<b>Replacement Lens</b> GX250CE
---------------------------	------------------------	--------------------------	------------------------------------

**MX250CEB**  
e11 IV & V 03\*6843

<b>Fitment</b> 16-28mm	<b>Radius</b> 300mm	<b>MX250CEB</b> Yellow	<b>Replacement Lens</b> GX250CE
---------------------------	------------------------	---------------------------	------------------------------------

**Mirror**  
208mm x 208mm

**Mirror Lens**  
198mm x 198mm

**Mirror Body**  
ABS

**Clamp**  
Glass filled nylon

*Heated version available,  
may be subject to minimum  
quantity*



**MX430CE**  
e11 IV 03\*6404

<b>Fitment</b> 10-20mm	<b>Radius</b> 300mm		<b>Replacement Lens</b> GX430CE
---------------------------	------------------------	--	------------------------------------

**MX430CEB**  
e11 IV 03\*6404

<b>Fitment</b> 16-28mm	<b>Radius</b> 300mm		<b>Replacement Lens</b> GX430CE
---------------------------	------------------------	--	------------------------------------

**Mirror**  
240mm x 155mm

**Mirror Lens**  
235mm x 150mm

**Mirror Body**  
ABS

**Clamp**  
Glass filled nylon



**MX440CE**  
e11 II & III 03\*6619

<b>Fitment</b> 10-20mm	<b>Radius</b> 1200mm	<b>MX440CE</b> Yellow	<b>Replacement Lens</b> GX440CE
---------------------------	-------------------------	--------------------------	------------------------------------

**MX440CEB**  
e11 II & III 03\*6619

<b>Fitment</b> 16-28mm	<b>Radius</b> 1200mm	<b>MX440CEB</b> Yellow	<b>Replacement Lens</b> GX440CE
---------------------------	-------------------------	---------------------------	------------------------------------

**Mirror**  
245mm x 162mm

**Mirror Lens**  
236mm x 152mm

**Mirror Body**  
ABS

**Clamp**  
Glass filled nylon





### MX4402CE

e11 IV & V 03\*8012

Fitment  
10-20mm

Radius  
450mm

Replacement Lens  
GX4402CE

### MX4402CEB

e11 IV & V 03\*8012

Fitment  
16-28mm

Radius  
450mm

Replacement Lens  
GX4402CE

**Mirror**  
245mm x 162mm

**Mirror Lens**  
236mm x 151mm

**Mirror Body**  
ABS

**Clamp**  
Glass filled nylon



MX550CE

MX550CEA

### MX550CE

e11 VI 03\*6447

Fitment  
10-20mm

Radius  
250mm

### MX550CEB

e11 VI 03\*6447

Fitment  
16-28mm

Radius  
250mm

### MX550CEA

e11 VI 03\*6447

Radius  
250mm

**Mirror**  
293mm x 210mm

**Mirror Body**  
ABS

**Clamp**  
Glass filled nylon

*Unbreakable lens*

**MX550CEA - Comes complete with 440mm long, 19mm diameter arm with clamp that fits 16-28mm diameter arms.**

**S1091 - Arm only**



### MX550CEA3

e11 VI 03\*6447

Radius  
250mm

*See page 48 for more details.*

**Mirror**  
293mm x 210mm

**Mirror Body**  
ABS

**Clamp**  
Glass filled nylon

*Unbreakable lens. Universal class VI mirror kit complete with arm and mounting bracket suitable for vertical or horizontal fitment.*



**MX555CE**  
e11 II & III 03\*6590

<b>Fitment</b> 10-20mm	<b>Radius</b> 1200mm	<b>MX555CE</b> Yellow	<b>Replacement Lens</b> GX555CE
---------------------------	-------------------------	--------------------------	------------------------------------

**MX555CEB**  
e11 II & III 03\*6590

<b>Fitment</b> 16-28mm	<b>Radius</b> 1200mm	<b>MX555CEB</b> Yellow	<b>Replacement Lens</b> GX555CE
---------------------------	-------------------------	---------------------------	------------------------------------

**Mirror**  
276mm x 185mm

**Mirror Lens**  
255mm x 175mm

**Mirror Body**  
ABS

**Clamp**  
Glass filled nylon



**MX635CE**  
e11 VI 03\*6343

<b>Fitment</b> 10-20mm	<b>Radius</b> 225mm
---------------------------	------------------------

**MX635CEB**  
e11 VI 03\*6343

<b>Fitment</b> 16-28mm	<b>Radius</b> 225mm
---------------------------	------------------------

**MX6351CE**  
e11 IV V 03\*6343

<b>Fitment</b> 10-20mm	<b>Radius</b> 300mm
---------------------------	------------------------

**MX6351CEB**  
e11 IV V 03\*6343

<b>Fitment</b> 16-28mm	<b>Radius</b> 300mm
---------------------------	------------------------

**Mirror**  
307mm diameter

**Mirror Body**  
ABS

**Clamp**  
Glass filled nylon



**MX725CEB**  
e11 III 03\*6589

<b>Fitment</b> 16-28mm	<b>Radius</b> 1200mm	<b>MX725CEB</b> Yellow	<b>Replacement Lens</b> GX725CE
---------------------------	-------------------------	---------------------------	------------------------------------

**Mirror**  
390mm x 190mm

**Mirror Lens**  
381mm x 182mm

**Mirror Body**  
ABS

**Clamp**  
Glass filled nylon



### S1230

Create your own interior mirror by using this universal arm. Most Ashtree mirrors, and many others, can be mounted onto the 19mm diameter tube.

Die-cast bracket that can be mounted in a vertical or horizontal position. The 19mm arm can be adjusted and then locked into position with the turn of a socket screw.



### M2000CEA2

e11 III 03\*6624



### M2000FEA2

e11 III 03\*6624



**Mirror**  
183mm x 131mm

**Glass**  
177mm x 125mm

**Mirror Body**  
ABS

*Mounting bracket has two M6 slots that fasten at 40-60mm centres.*



### M235C



**Mirror**  
145mm x 113mm

**Fitment:** M6 stud

**Mirror Body**  
Steel



### M310CEA1

e11 I 03\*6632



### M310FEA1

e11 I 03\*6632



### M3102CEA1

e11 V 03\*6633



**Mirror**  
252mm x 168mm

**Glass**  
236mm x 152mm

**Mirror Body**  
ABS

*Mounting bracket has two 7mm slots at 75-80mm centres.*



### M435CEA2

e11 IV & V 03\*6588



*M435CE also available with clamp or stud - see page 17.*

**Mirror**  
215mm x 118mm

**Glass**  
210mm x 112mm

**Mirror Body**  
ABS

*Mounting bracket has two M6 slots that fasten at 40-60mm centres.*



### M440CEA2

e11 II & III 03\*6619



**Mirror**  
245mm x 162mm

**Glass**  
236mm x 152mm

**Mirror Body**  
ABS

*Mounting bracket has two M6 slots that fasten at 40-60mm centres.*



**MX943**

**Fitment**  
10-20mm

**Radius**  
100mm

**Mirror**  
220mm x 110mm

**Mirror Body**  
ABS

**Clamp**  
Glass filled nylon



**MX943A2**

**Radius**  
100mm

**Mirror**  
220mm x 110mm

**Mirror Body**  
ABS

*Mounting bracket has two M6 slots that fasten at 40-60mm centres.*



**M631CA**

**Radius**  
1800mm

Supplied with S1173 arm

**M631C**

**Fitment**  
10-20mm

**Radius**  
1800mm

**S1173**  
Arm used in M631CA assembly

**Mirror**  
315mm diameter

*Black powder coated steel. Mounts onto 35mm diameter hand rails. See also M245C-42 and M560C-42 in safety mirrors for alternative use as bus interior mirrors.*

**M631C - Mirror head only**

**S1173 - Arm and bracket only.**



### M245C-42

<b>Fitment</b> 25-42mm	<b>Radius</b> 450mm
---------------------------	------------------------

*This mirror is available with different radii of glass - may be subject to minimum quantities.*

**Mirror**  
177mm diameter

**Mirror Body**  
ABS

**Clamp**  
Glass filled nylon



### MX550CE

e11 VI 03\*6447

<b>Fitment</b> 10-20mm	<b>Radius</b> 250mm
---------------------------	------------------------

### MX550CEB

e11 VI 03\*6447

<b>Fitment</b> 16-28mm	<b>Radius</b> 250mm
---------------------------	------------------------

**Mirror**  
293mm x 210mm

**Mirror Body**  
ABS

**Clamp**  
Glass filled nylon



### M560C-42

<b>Fitment</b> 25-42mm	<b>Radius</b> 450mm
---------------------------	------------------------

*This mirror is available with different radii of glass - may be subject to minimum quantities.*

**Mirror**  
255mm diameter

**Mirror Body**  
ABS

**Clamp**  
Glass filled nylon



### MX635CE

e11 VI 03\*6343

**Fitment**  
10-20mm

**Radius**  
225mm

### MX635CEB

e11 VI 03\*6343

**Fitment**  
16-28mm

**Radius**  
225mm

### MX6351CE

e11 VI V 03\*6343

**Fitment**  
10-20mm

**Radius**  
330mm

### MX6351CEB

e11 VI V 03\*6343

**Fitment**  
16-28mm

**Radius**  
330mm

**Mirror**  
307mm diameter

**Mirror Body**  
ABS

**Clamp**  
Glass filled nylon

*Unbreakable lens*



MX941

MX941B

### MX941

**Fitment**  
13-16mm

**Radius**  
450mm

### MX941A

**Radius**  
450mm

Supplied complete with fitting arm

### MX941B

**Fitment**  
16-28mm

**Radius**  
450mm

**Mirror**  
152mm diameter

**Mirror Body**  
Stainless Steel

*Unbreakable lens*



MX942A

MX942B

### MX942

**Fitment**  
13-16mm

**Radius**  
100mm

### MX942A

**Radius**  
100mm

Supplied complete with fitting arm

### MX942B

**Fitment**  
16-28mm

**Radius**  
100mm

**Mirror**  
203mm diameter

**Mirror Body**  
Stainless steel

*Unbreakable lens*



### MX943

<b>Fitment</b> 10-20mm	<b>Radius</b> 100mm
---------------------------	------------------------

**Mirror**  
220mm x 110mm

**Mirror Body**  
ABS

**Clamp**  
Glass filled nylon

*Unbreakable lens*



### MX948

<b>Fitment</b> 10-20mm	<b>Radius</b> 150mm
---------------------------	------------------------

**Mirror**  
280mm x 160mm

**Mirror Body**  
ABS

**Clamp**  
Glass filled nylon

*Unbreakable lens*

### MX948B

<b>Fitment</b> 16-28mm	<b>Radius</b> 150mm
---------------------------	------------------------



### MX950-Stud

<b>Fitment</b> 3/8" UNC STUD	<b>Radius</b> 125mm - 185mm
---------------------------------	--------------------------------

**Mirror**  
MX950-Stud  
315mm x 250mm

MX951-Stud  
320mm x 275mm

**Mirror Body**  
Aluminium

*Unbreakable lens*

### MX951-Stud

<b>Fitment</b> 3/8" UNC STUD	<b>Radius</b> 125mm - 185mm
---------------------------------	--------------------------------





**MX950-Tunnel**

<b>Fitment</b> 19mm Stem	<b>Radius</b> 125mm - 185mm
-----------------------------	--------------------------------

**MX951-Tunnel**

<b>Fitment</b> 19mm Stem	<b>Radius</b> 125mm - 185mm
-----------------------------	--------------------------------

**Mirror**  
MX950-Tunnel  
315mm x 250mm

MX951-Tunnel  
320mm x 275mm

**Mirror Body**  
Aluminium

*Unbreakable lens*



**MX950B**

<b>Fitment</b> 16-28mm	<b>Radius</b> 125mm - 185mm
---------------------------	--------------------------------

**MX951B**

<b>Fitment</b> 16-28mm	<b>Radius</b> 125mm - 185mm
---------------------------	--------------------------------

**Mirror**  
MX950B  
315mm x 250mm

MX951B  
320mm x 275mm

**Mirror Body**  
Aluminium

*Unbreakable lens*



**MX952**

<b>Fitment</b> Twin Stud at 115mm	<b>Radius</b> 200mm
---	------------------------

**Mirror**  
350mm x 250mm

**Mirror Body**  
Black plastic

*Unbreakable lens*



After a few years of simply importing and distributing glasses Ashtree made a decision to open a dedicated glass cutting department in 1982. It's quite a grand title but at the time it was only one person who cut the glass using manual glass cutting equipment. It's all changed since then. We now have three automatic glass cutting machines as well as a semi automatic machine for cutting deep radius glass.

After the glass has been cut it is shatter proofed to European Union standards using the automated glass taping machine that we had specially built for the job.

The following pages show the standard range of glasses that we keep in stock. We can also cut glass to customers requirements, subject to minimum quantities.



His Royal Highness the Duke of Gloucester inspects Ashtree's glass cutting department on his 2012 visit

G200CE	177 x 125	ASHTREE M2000CE / M200CE / M2000CEA2 / Universal 7" x 5"	Convex (1200r)
G200FE	177 x 125	ASHTREE M2000FE / M200FE / M2000FEA2 / Universal 7" x 5"	Flat
G209CE	203 x 130	ASHTREE M0209CE / Land Rover (new model) / Sherpa / Leyland DAF 200 / 400	Convex (1200r)
G2231CEHc	185 x 95	ASHTREE M922CEH / M922FEH / M923CEH / M923FEH	Convex (300r)
G223CEHc	185 x 95	ASHTREE M902CEH / M9021CEH / M902FEH / M903CEH / M9031CEH / M903FEH	Convex (400r)
G2371CEHc	173 X 176	ASHTREE M920CEH / M9201CEH	Convex (300r)
G2381CE	174 X 174	ASHTREE M2381CE	Convex (300r)
G2382CE	174 X 174	ASHTREE M2382CE	Convex (200r)
G238CE	174 x 174	ASHTREE M238CE	Convex (400r)
G250CE	198 x 198	ASHTREE M250CE/M250CEB	Convex (300r)
G4001CE	234 x 155	ASHTREE M4001CE / DESMO 365	Convex (800r)
G400CE	234 x 155	ASHTREE M400CE / DESMO 355	Convex (1200r)
G4101CE	236 x 152	ASHTREE M3101CE / M3101CEB / M4101CE	Convex (1800r)
G4102CE	236 x 152	ASHTREE M3102CE / M3102CEA1 / M4102CE	Convex (400r)
G410CE	236 x 152	ASHTREE M310CE / M310CEB / M310CEA1 / M410CE / M440CE / M440CEB / M440CEA2	Convex (1200r)
G410FE	236 x 152	ASHTREE M310FE / M310FEB / M310FEA1	Flat
G422CE	229 x 147	LDV Convoy (left hand)	Convex (1800r)
G423CE	230 x 150	LDV Convoy (right hand)	Convex (1800r)
GW427CEL	212 x 147	Transit LHS 2000 on	Convex (1800r)
GW427CER	212 x 147	Transit RHS 2000 on	Convex (1800r)
G430CE	235 x 150	ASHTREE M430CE / M430CEB / M430CEA1 / M430CESW	Convex (300r)
G435CE	210 x 112	ASHTREE M435CE / M435CEA2	Convex (300r)
G4402CE	236 x 151	ASHTREE M4402CE/M4402CEB	convex (450r)
G500CE	253 x 153	ASHTREE M5000CE / M500CE / Universal 10" x 6"	Convex (1800r)
G500FE	253 x 153	ASHTREE M5000FE / M500FE / Universal 10" x 6"	Flat
G504CE	250 x 150	ASHTREE M504CE / M504CEA / Scania	Convex (400r)
G515CE	264 x 151	ERF / Britax	Convex (400r)
G5201CE	291 x 170	ASHTREE M5201CE	Convex (1200r)
G520CE	291 x 170	ASHTREE M520CE / Mercedes / Duple	Convex (1800r)
G528CE	281 x 201	ASHTREE M528CE / John Deere	Convex (1800r)
G530CE	271 x 193	John Deere	Convex (1800r)
G5361CEHc	255 x 170	ASHTREE M9021CEH / M9031CEH / M9221CEH / M9231CEH	Convex (1200r)
G536CEHc	255 x 170	ASHTREE M902CEH / M903CEH / M922CEH / M923CEH	Convex (1800r)
G545CE	248 X 190	ASHTREE M545CE / M545CEB	Convex (1800r)
G555CE	255 X 175	ASHTREE M555CE / M555CEB / M555CEA2	Convex (1200r)
G600CE	300 x 210	ASHTREE M600CE / M600CES / M600CESW / Volvo / Scania	Convex (1800r)
G600FE	300 x 210	ASHTREE M600FE / M600FES	Flat
G601CE	337 x 193	ASHTREE M601CE / M601CES / Raydyot CM500	Convex (1800r)
G602CE	331 x 214	ASHTREE M602CE / Bedford / Seddon Atkinson / Foden / ERF / Britax	Convex (1800r)
G6101CE	309 x 178	ASHTREE M6101CE	Convex (1200r)
G610CE	309 x 178	ASHTREE M610CE / MAN / VW	Convex (1800r)
G613CE	347 x 196	ASHTREE M613CE / M6013CE / M6013CE-BLACK / Iveco / Ford Eurocargo / Seddon Atkinson	Convex (1800r)
G624CE	300 x 214	Steyr / KHD	Convex (1800r)
G6261CE	315 x 225	ASHTREE M6261CE	Convex (1200r)
G626CE	315 x 225	ASHTREE M626CE / Case / McCormick / Massey Ferguson / New Holland	Convex (1800r)
G627CE	321 x 182	Valmet	Convex (1800r)
G629CE	304 x 218	Deutz	Convex (1800r)
G701CE	375 x 190	ASHTREE M701CE / Ford Cargo /  Leyland / DAF / Foden / Volvo / Plaxton	Convex (1800r)
G702CE	356 x 170	ASHTREE M702CE / M0702CE / Mercedes / Duple	Convex (1800r)
G703CE	396 x 208	ASHTREE M703CE / ERF / AWD / Foden	Convex (1800r)
G7141CE	362 x 174	ASHTREE M7141CE	Convex (1200r)
G714CE	362 x 174	ASHTREE M714CE / Volvo / Magirus Deutz / MAN / Iveco	Convex (1800r)
G714FE	362 x 174	ASHTREE M714FE	Flat
G725CE	381 X 182	ASHTREE M725CEB	Convex (1200r)
G800CE	415 x 220	ASHTREE M800CE / Scania	Convex (1800r)
G801CE	407 x 184	ASHTREE M0801CE / Mercedes	Convex (1800r)
G802CE	430 x 193	ASHTREE M802CE / Volvo	Convex (1800r)
G811CE	405 x 190	Irizar coach	Convex (1800r)
G820CE	402 X 209	ASHTREE M820CE	Convex (1800r)
G8231CE	409 x 209	ASHTREE M8231CE	Convex (1200r)



G200CE 177 x 125  
**ASHTREE M2000CE / M200CE**  
 / M2000CEA2  
 G200FE 177x 125  
**ASHTREE M2000FE / M200FE**  
 / M2000FEA2  
 Universal 7 inch x 5 inch

G209CE 203 x 130  
**ASHTREE M0209CE**  
 Land Rover (new model)  
 Sherpa / Leyland DAF 200 / 400

G2231CEHc 185 x 95  
**ASHTREE M922CEH /**  
**M922FEH / M923CEH /**  
**M923FEH**

G223CEHc 185 x 95  
**ASHTREE M902CEH /**  
**M9021CEH / M902FEH**  
**M903CEH /**  
**M9031CEH / M903FEH**

G2371CEHc 173 x 176  
**ASHTREE M920CEH /**  
**M9202CEH**  
 G2371CEHc 173 x 176  
**ASHTREE M920CEH /**  
**M9201CEH**

G238CE 174 x 174  
**ASHTREE M238CE**  
 G2381CE 174 x 174  
**ASHTREE M2381CE**  
 G2382CE 174 x 174  
**ASHTREE M2382CE**

G250CE 198 x 198  
**ASHTREE M250CE / M250CEB**

G400CE 234 x 155  
**ASHTREE M400CE / DESMO 355**  
 G4001CE 234 x 155  
**ASHTREE M4001CE / DESMO 365**

G4101CE 236 x 152  
**ASHTREE M3101CE / M3101CEB /**  
**M4101CE**  
 G4102CE 236 x 152  
**ASHTREE M3102CE / M3102CEA1 /**  
**M4102CE**  
 G410CE 236 x 152  
**ASHTREE M310CE / M310CEB / M310CEA1 /**  
**M410CE / M440CE / M440CEB / M440CEA2**  
 G410FE 236 x 152  
**ASHTREE M310FE / M310FEB / M310FEA1**

G422CE 229 x 147  
 LDV Convoy (left hand)

G423CE 230 x 150  
 LDV Convoy (right hand)



GW427CEL  
 Transit LHS 2000 on



GW427CER  
 Transit RHS 2000 on

G430CE 235 x 150  
**ASHTREE M430CE / M430CEB /**  
**M430CEA1 / M430CESW**

G435CE 210 x 112  
**ASHTREE M435CE / M435CEA2**

G4402CE 236 x 151  
**ASHTREE M4402CE / M4402CEB**

G500CE 253 x 153  
**ASHTREE M5000CE / M500CE**  
 G500FE 253 x 153  
**ASHTREE M5000FE / M500FE**

G504CE 250 x 150  
**ASHTREE M504CE / M504CEA**  
 Scania

G515CE 264 x 151  
 ERF / Britax

G520CE 291 x 170  
**ASHTREE M520CE**  
 Mercedes / Duple  
 G5201CE 291 x 170  
**ASHTREE M5201CE**

G528CE 281 x 201  
**ASHTREE M528CE**  
 John Deere

G530CE 271 x 193  
 John Deere

G5361CEHc 258 x 175  
**ASHTREE M9021CEH / M9031CEH /**  
**M9221CEH / M9231CEH**  
 G536CEHc 258 x 175  
**ASHTREE M902CEH / M903CEH /**  
**M922CEH / M923CEH**

G545CE 248 x 190  
**ASHTREE M545CE / M545CEB**

G555CE 255 x 175  
**ASHTREE M555CE / M555CEB /**  
**M555CEA2**

G600CE 300 x 210  
**ASHTREE M600CE / M600CES /**  
**M600CESW**  
 Volvo Scania  
 G600FE 300 x 210  
**ASHTREE M600FE / M600FES**

G601CE 337 x 193  
**ASHTREE M601CE / M601CES**  
 Raydijot CM500

G602CE 331 x 214  
**ASHTREE M602CE**  
 Bedford / Seddon Atkinson / Foden / ERF / Britax

G610CE 309 x 178  
**ASHTREE M610CE**  
 MAN / VW  
 G6101CE 309 x 178  
**ASHTREE M6101CE**

G613CE 347 x 196  
**ASHTREE M613CE / M613CE-BLACK**  
 Iveco / Ford Eurocargo / Seddon Atkinson

MIRROR  
GLASS



G624CE 300 x 214  
Steyr / KHD

G626CE 315 x 225  
**ASHTREE M626CE**  
Case / McCormick / Massey Ferguson / New Holland  
G6261CE 315 x 225  
**ASHTREE M6261CE**

G627CE 321 x 182  
Valmet

G629CE 304 x 218  
Deutz

G701CE 375 x 190  
**ASHTREE M701CE**  
Ford Cargo / Leyland / Daf / Foden / Volvo / Plaxton

G702CE 356 x 170  
**ASHTREE M702CE / M0702CE**  
Mercedes / Duple

G703CE 396 x 208  
**ASHTREE M703CE**  
ERF / AWD / Foden

G710CE 365 x 175  
Mercedes

G714CE 362 x 174 - **ASHTREE M7141CE**  
G7141CEhc 362 x 174  
**ASHTREE M9121CEH / M9151CEH / M9161CEH / M920CEH /**  
**M9201CEH / M9202CEH / M9203CEH**  
G714CE - **ASHTREE M714CE**  
Volvo / Magirus Deutz / MAN / Iveco  
G714CEhc  
**ASHTREE M912CEH / M915CEH / M916CEH / M920CEH**  
G714FE - **ASHTREE M714FE**  
G714FEhc - **ASHTREE M912FEH**

G725CE 381 x 182  
**ASHTREE M725CEB**

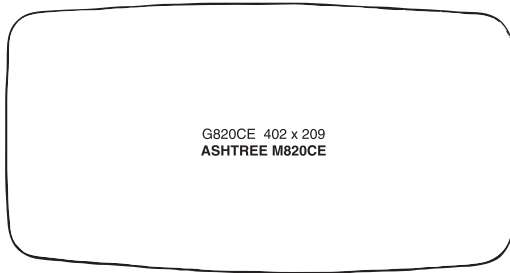
G800CE 415 x 220  
**ASHTREE M800CE**  
Scania

G801CE 407 x 184  
**ASHTREE M0801CE**  
Mercedes

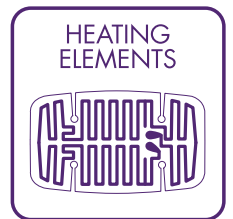
G802CE 430 x 193  
**ASHTREE M802CE**  
Volvo

G806CE 402 x 206  
Renault

G811CE 405 x 190  
Irizar coach



The **Ashtree** range of mirror heating elements has proved very popular with drivers and operators. The design of the element (which is exclusive to **Ashtree Glass**) makes it the most durable on the market. The element is made from carbon impregnated glasscloth and as the current flows across, the whole surface heats up, thus avoiding the “striping” effect of other elements. There are no fine circuits which can damage easily, in fact you can drill a hole in the element and the current will simply flow round it as long as the copper electrodes are undamaged. The elements are completely sealed, being laminated with an insulating film. They can however be trimmed to size but it is best to reseal the edges.



The elements are supplied with 250mm of cable but special versions can be made with cable to other lengths or with terminals attached. Other sizes can be made in the two basic widths of 127mm and 167mm (subject to minimum quantities).

We also have a range of printed circuit elements with spade terminals, for customers who require the traditional type.



### Heavy Duty Elements

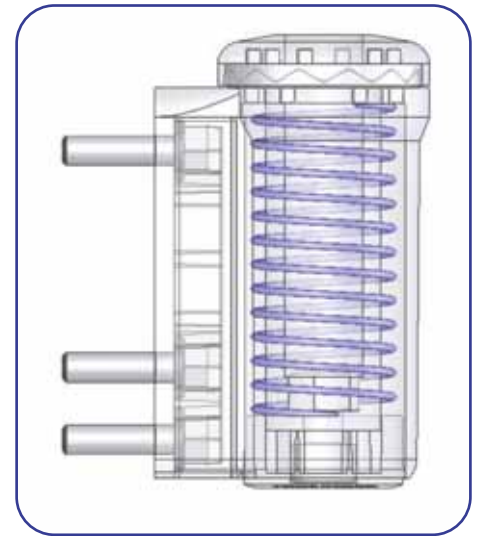
Y2600	200mm x 167mm	24 Volt
Y2601	270mm x 167mm	24 Volt
Y2602	270mm x 127mm	24 Volt
Y2603	320mm x 127mm	24 Volt
Y2604	205mm x 127mm	24 Volt
Y2605	300mm x 167mm	24 Volt
Y2606	375mm x 167mm	24 Volt
Y2607	175mm x 127mm	24 Volt
Y2608	120mm x 127mm	24 Volt
Y2602-12	270mm x 127mm	12 Volt
Y2605-12	300mm x 167mm	12 Volt

### Traditional Elements

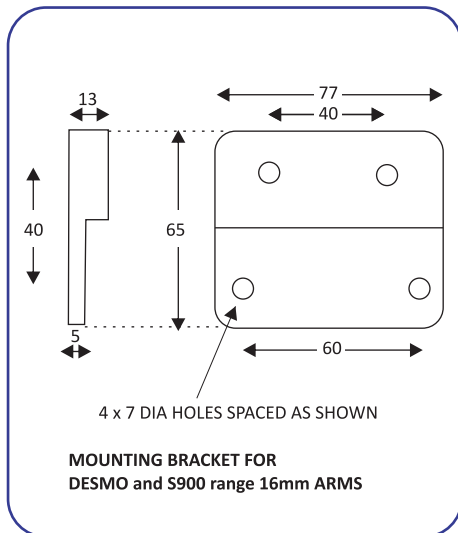
Y2610	318mm x 175mm	24 Volt
Y2611	173mm x 137mm	24 Volt
Y2613	160mm x 160mm	24 Volt
Y2614	208mm x 173mm	24 Volt
Y2615	385mm x 165mm	24 Volt
Y2616	410mm x 190mm	24 Volt
Y2618	310mm x 130mm	24 Volt
Y2619	250mm x 145mm	24 Volt



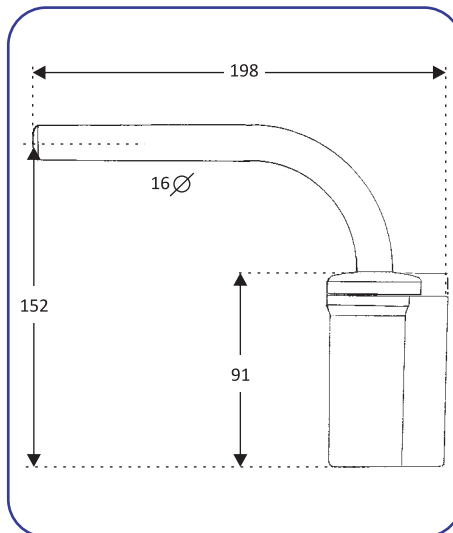
**S900 range of mirror arms** - The Ashtree S900 range of mirror arms was designed to be strong, durable and as practical as possible. Since these arms were launched we have exported more than 65% of production. The vast majority of these have been used as original equipment in the construction equipment industry where strength and durability are prime considerations. At the design stage for this range we chose a high impact polymer for the body of the moulding. This is cheaper than traditional zinc, and helps keep the cost down, but it's also very strong and helps reduce vibration and play on the arms. Indexing is done on two sets of zinc teeth that are set into opposite surfaces on the body and spindle of the arm. This means that indexing is between two metal surfaces, minimising wear, adding strength and reducing vibration. Most mirror arms adjust in 45 degree increments. Because of the design of the S900 mirror arms adjustment is at 20 degree increments. This means that more mirrors can be mounted in the correct position with these arms than they can be with any other design. To mount these arms simply choose two of the three M6 holes in the body. These are at either 45mm or 60mm centres.



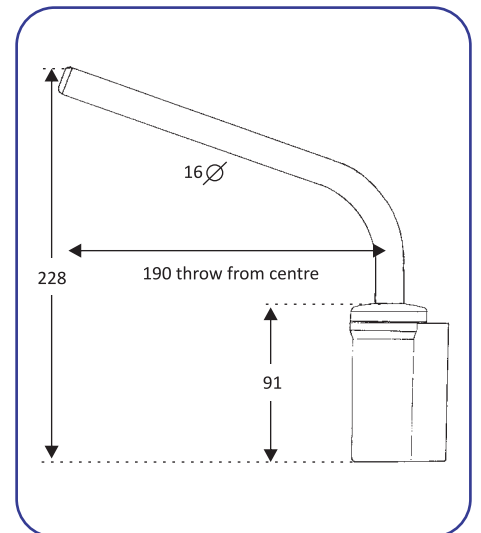
The S900 range is the subject of UK Patent Application No. 0917899.7



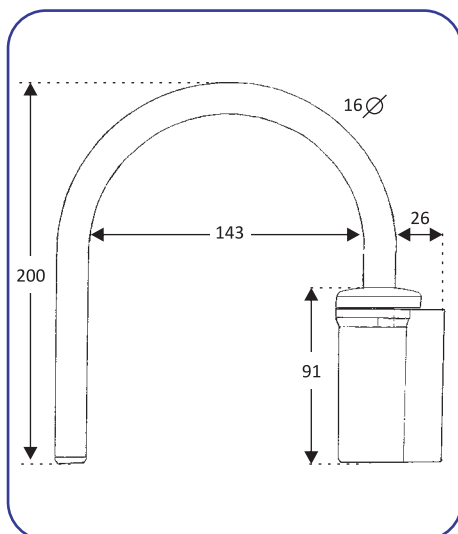
**Y2089**



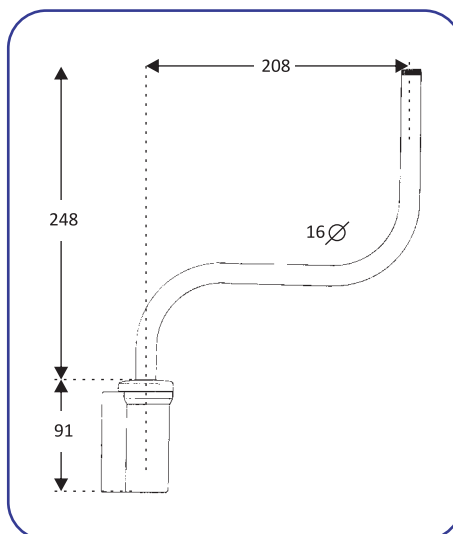
**S901**



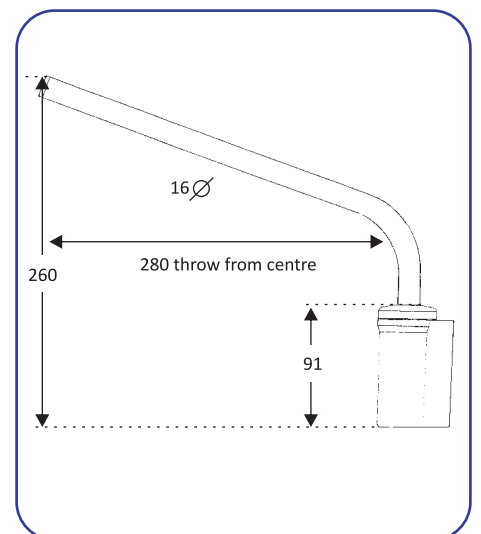
**S902**



**S903**



**S904**



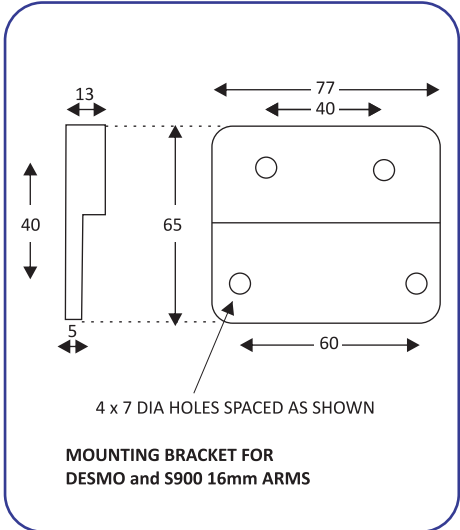
**S905**



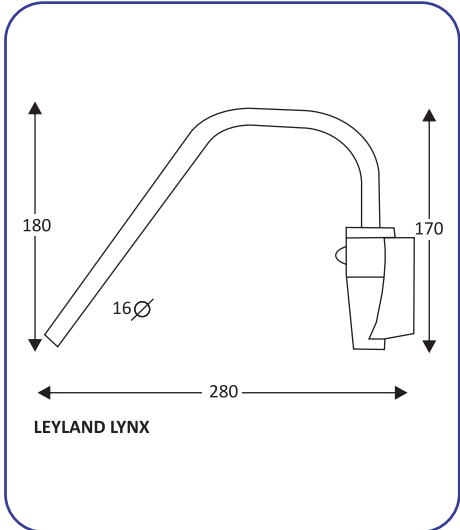
**Desmo range of mirror arms** - Originally manufactured by **Desmo**, production of this range of mirror arms was moved to Bradford on the purchase of the **Desmo** business in 1989, and for many years was the industry standard product for UK bus builders. The mirror arms are 16mm in diameter and adjust in 45° increments. Additional adjustment can be made by removing the screw in the body and relocating in one of two holes located 15 degrees on either side of the set position. For mounting, all of the indexing brackets have two threaded M6 holes at 60mm centres. A mounting bracket (**Y2089**) is available (see below). Other types of arms can be produced in this range.



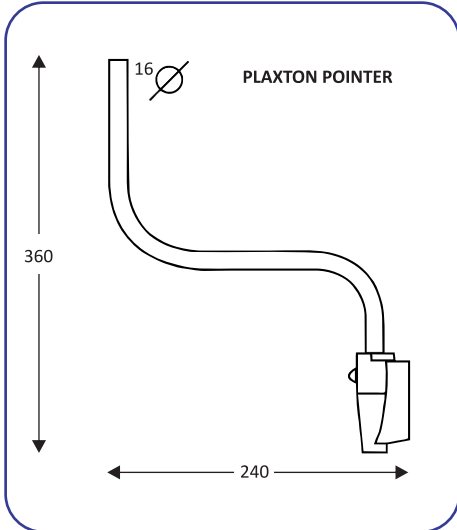
*All dimensions in mm unless otherwise stated*



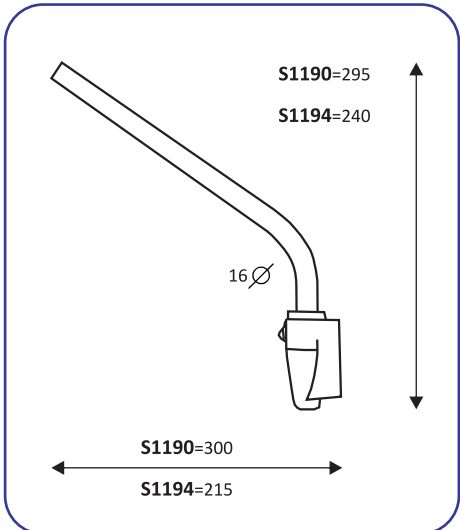
**Y2089**



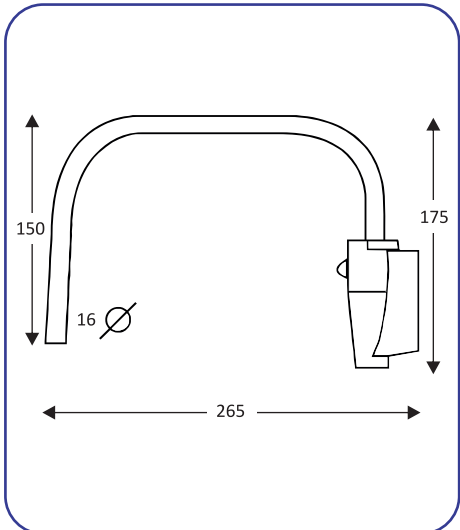
**S1186**



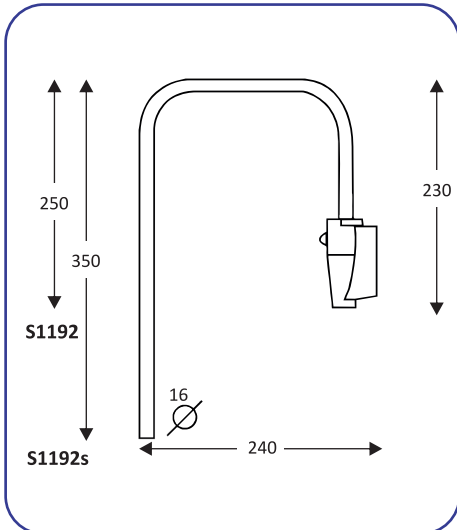
**S1187**



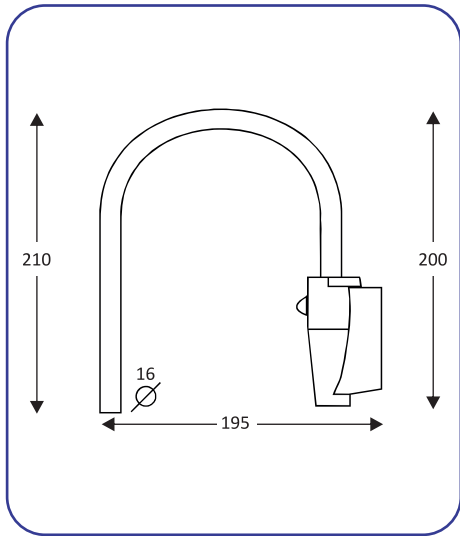
**S1190 & S1194**



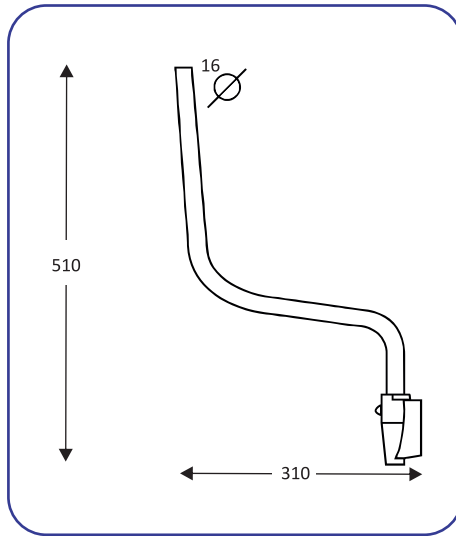
**S1191**



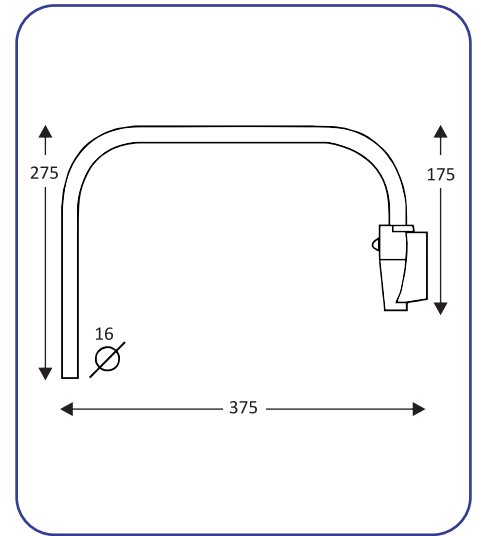
**S1192 & S1192s**



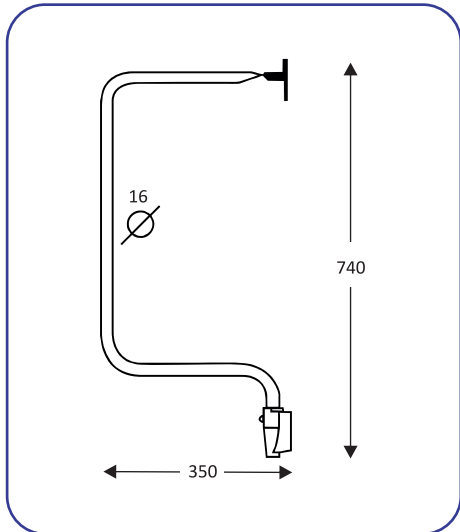
**S1193**



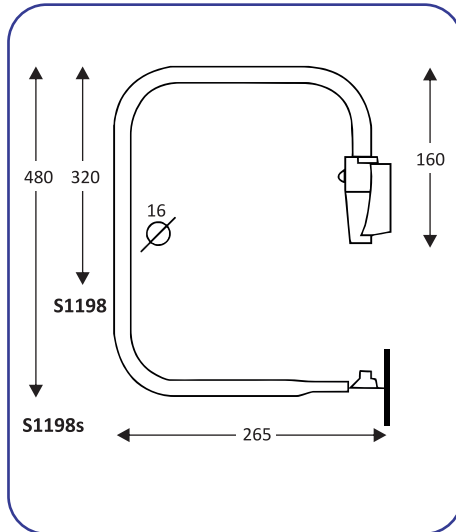
**S1195**



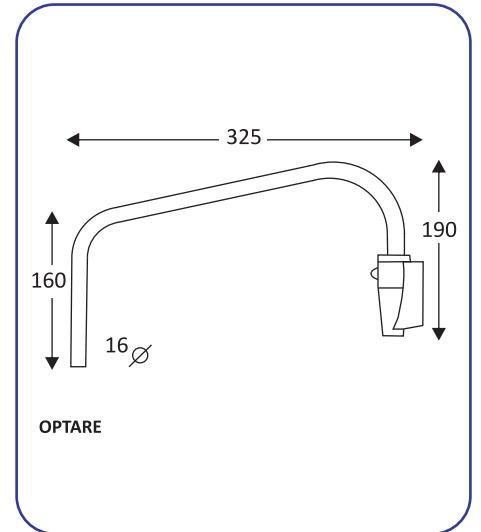
**S1196**



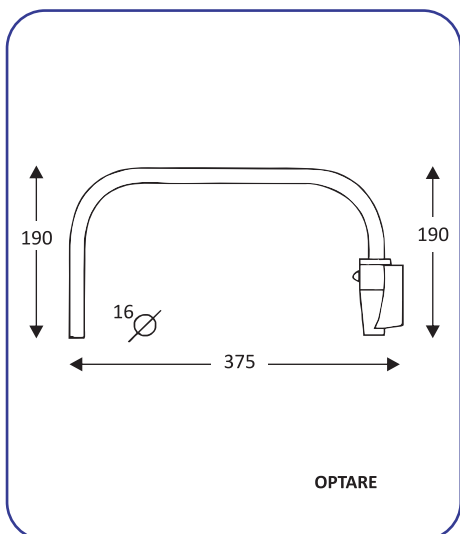
**S1197**



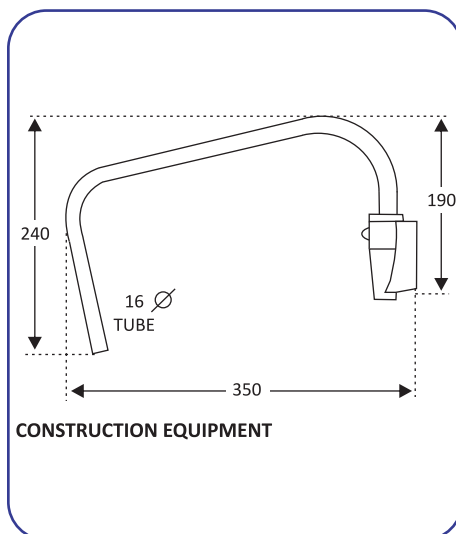
**S1198 & S1198s**



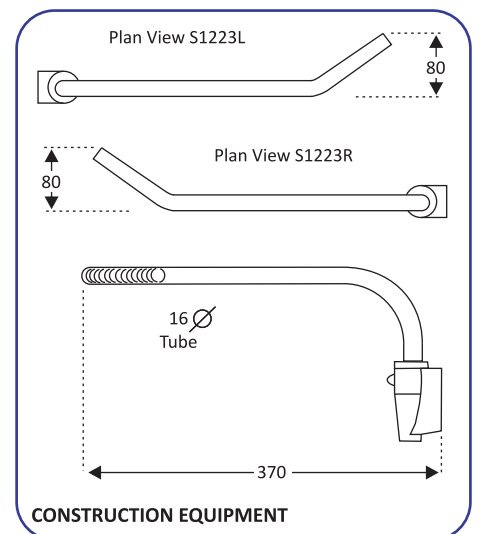
**S1200**



**S1201**



**S1222**

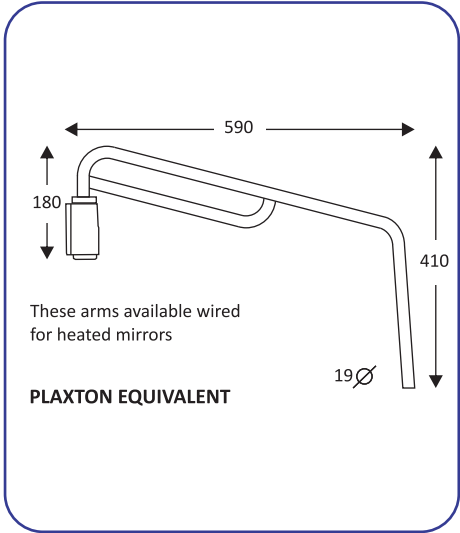


**S1223L & S1223R**

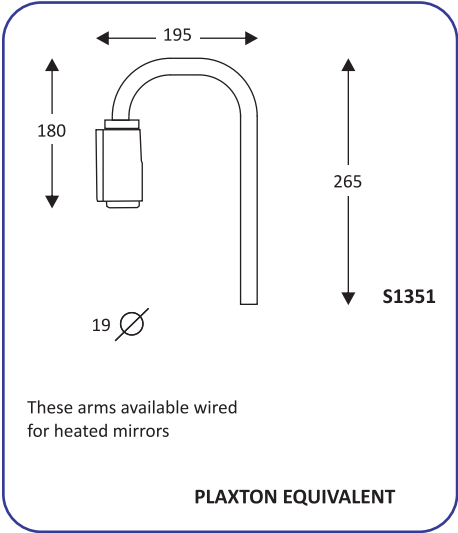




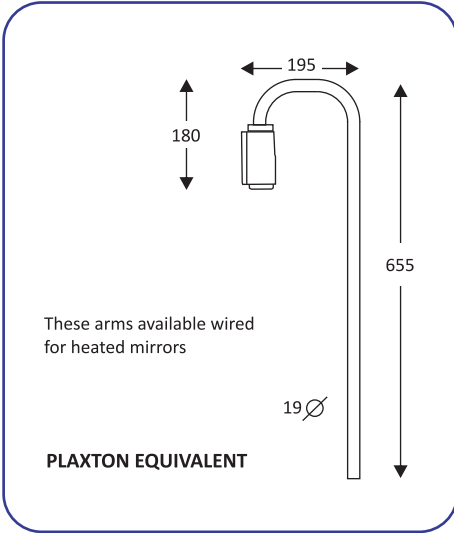
**S1300 range of mirror arms** - The **S1300** range of 19mm diameter mirror arms was designed for use with larger mirrors and for use on coaches. The diecast indexing bracket has a dogtooth mechanism giving 22.5° of adjustment through 360 degrees, 16 positions in total. The mounting bracket has two variations. The 3 hole version (Y2670-3) is fully compatible with the Arcol mirror bracket and allows **Ashtree** and Arcol arms to interchange. The four hole version (Y2670-4) has four holes similar to the Wilke and Mekra models. This allows **Ashtree** brackets to be exchanged for Wilke and Mekra products in the easiest possible way. A further benefit of the **Ashtree** system is the addition of a grub screw in the mounting bracket. This can be tightened to help prevent theft. The arms can also be supplied wired for heated mirrors. Other types of arms can be produced in this range.



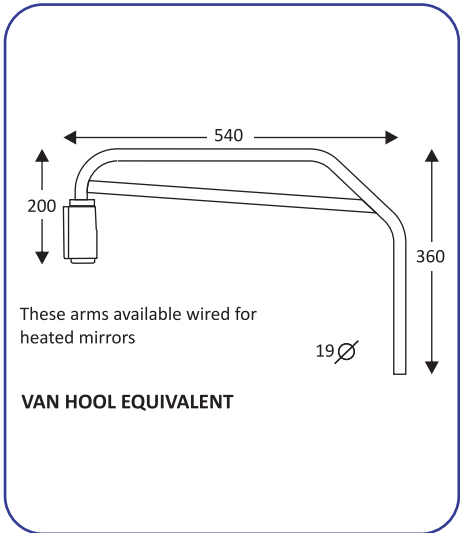
**S1350**



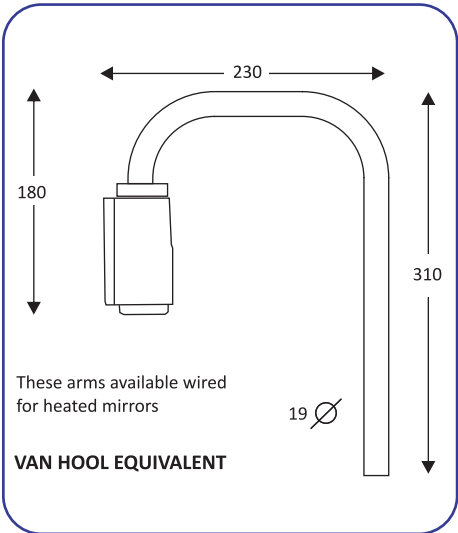
**S1351**



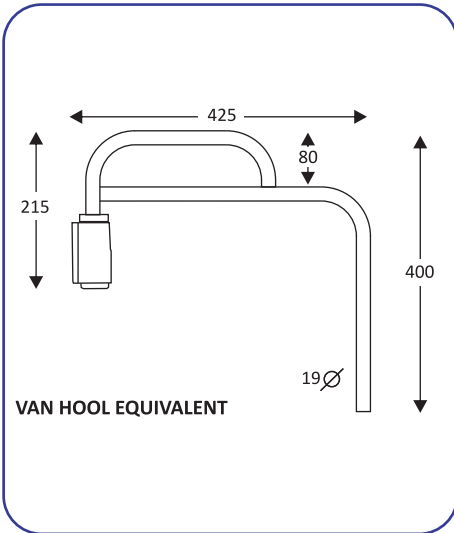
**S1352**



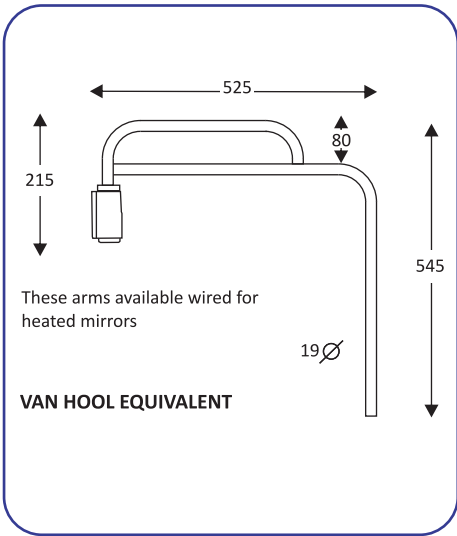
**S1360**



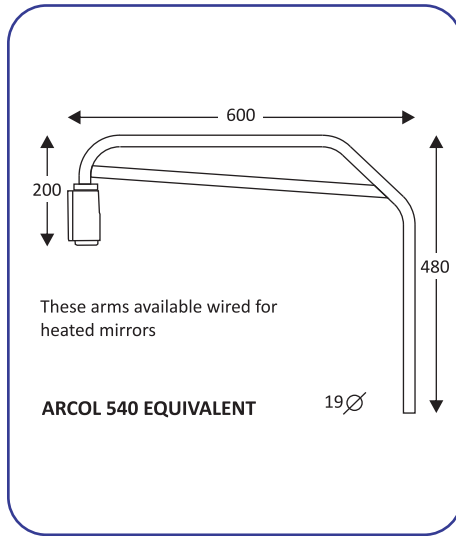
**S1361**



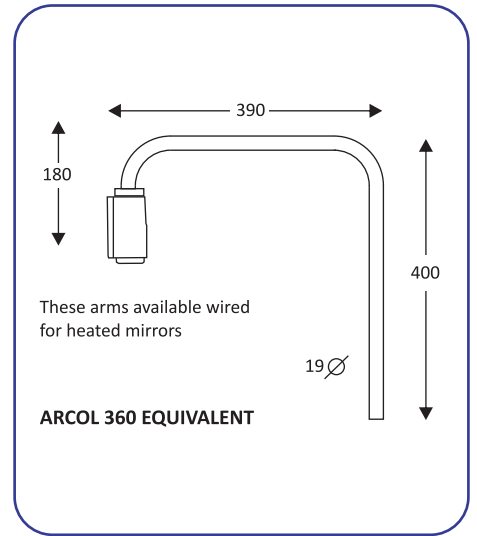
**S1362**



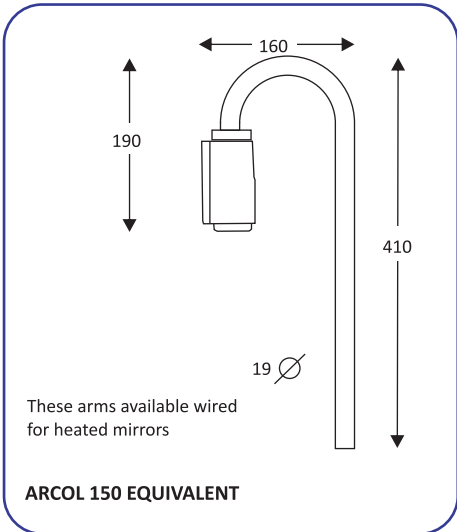
**S1363**



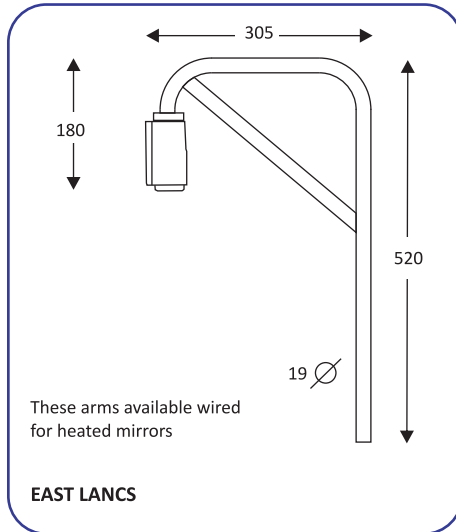
**S1370**



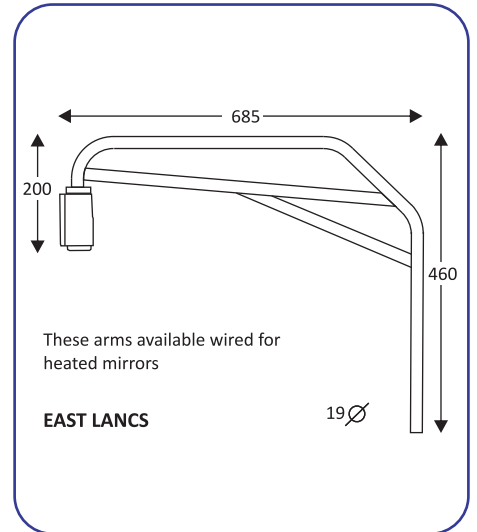
**S1372**



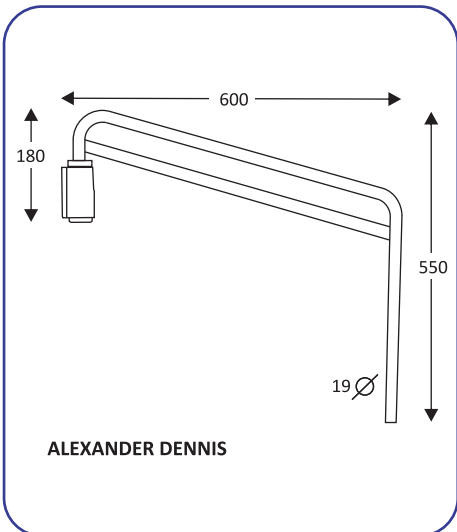
**S1374**



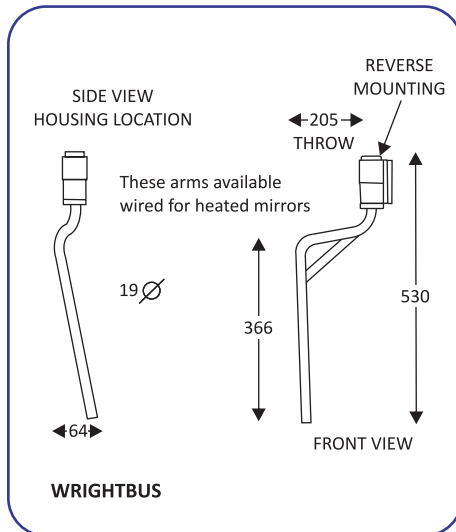
**S1375**



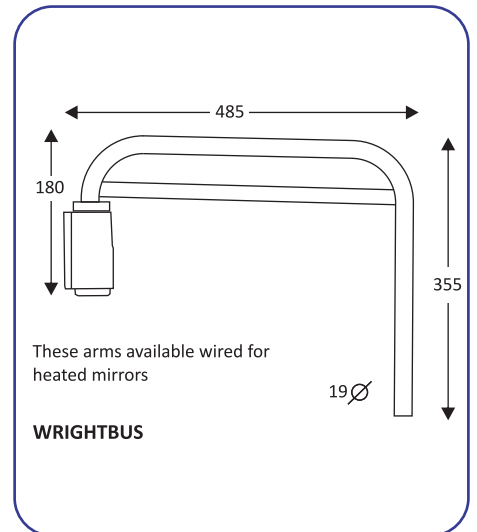
**S1376**



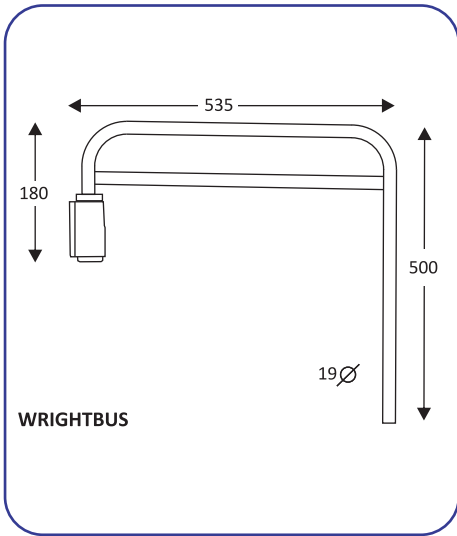
**S1377**



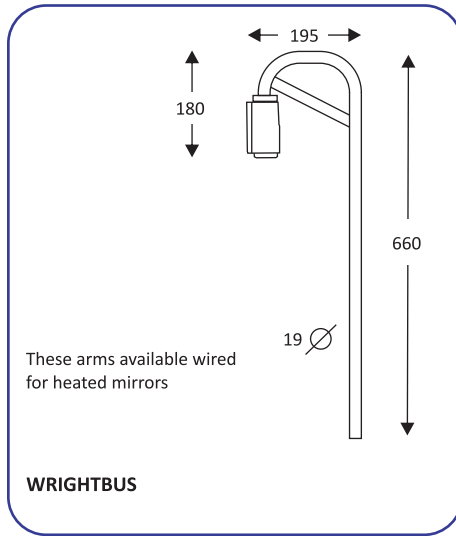
**S1378**



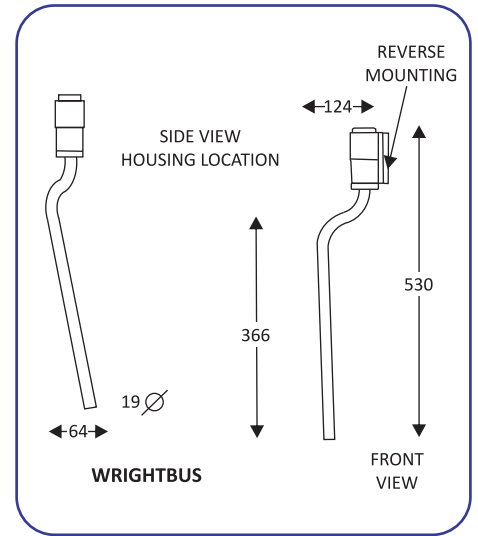
**S1381**



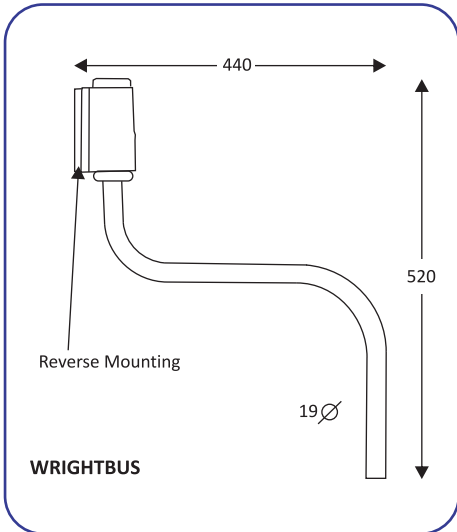
**S1382**



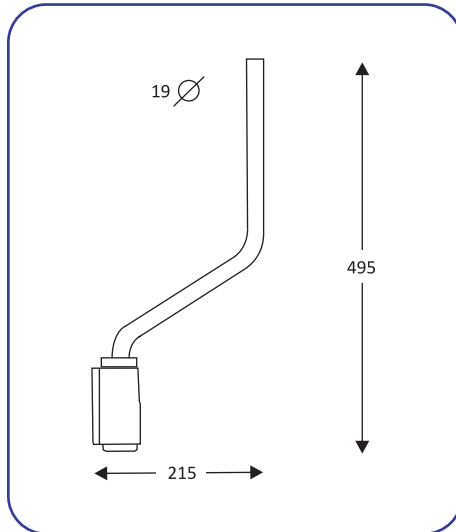
**S1384**



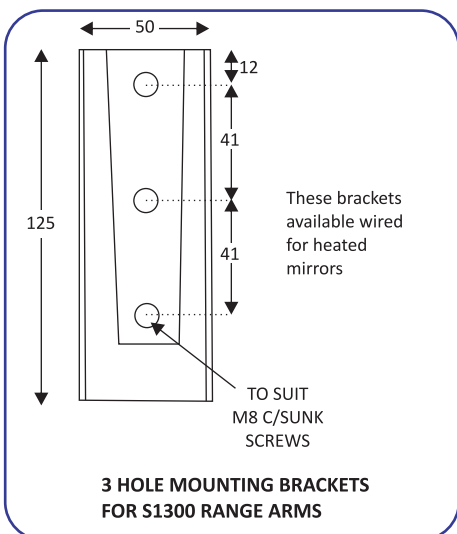
**S1385**



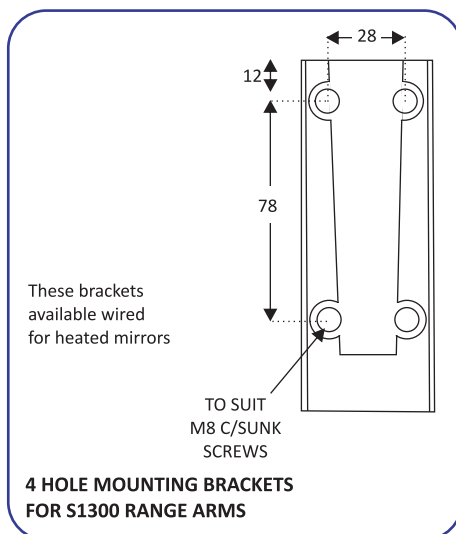
**S1386**



**S1387**



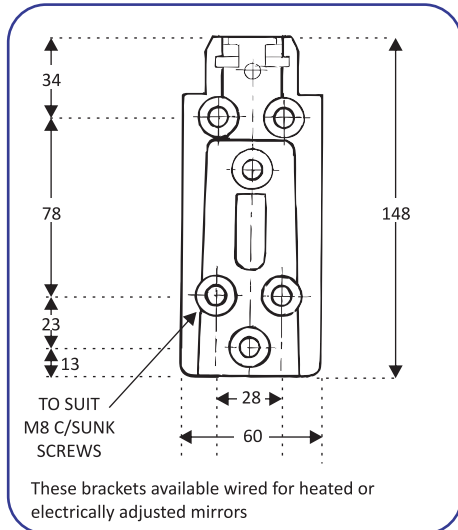
**Y2670-3**



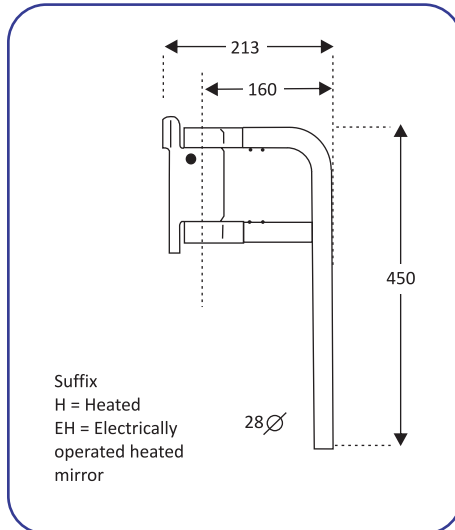
**Y2670-4**



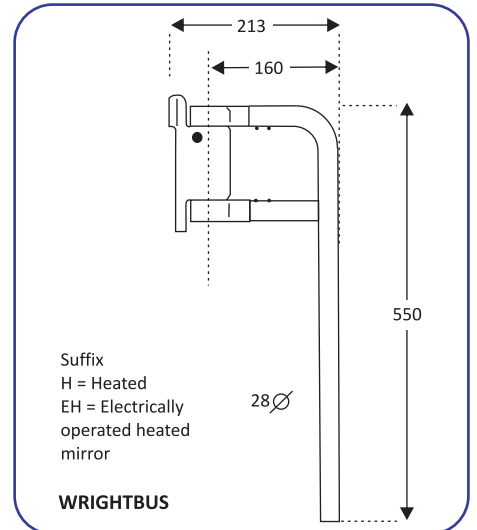
**S1500 range of mirror arms** - The latest range of mirror arms is the **S1500** style. These arms have twin 28mm diameter arms which provide tremendous stability. The brackets index at 72° but can be micro adjusted by means of the unique **Ashtree** adjustment system. By using the supplied Allen key and adjusting two socket screws the mirror arms can be set to any position allowing mirrors to be placed in their optimum viewing position. As with the **S1300** range of arms this range also has a lockable screw to help prevent theft, and they can also be supplied wired for heated or electrically adjusted mirrors. Other types of arms can be produced in this range.



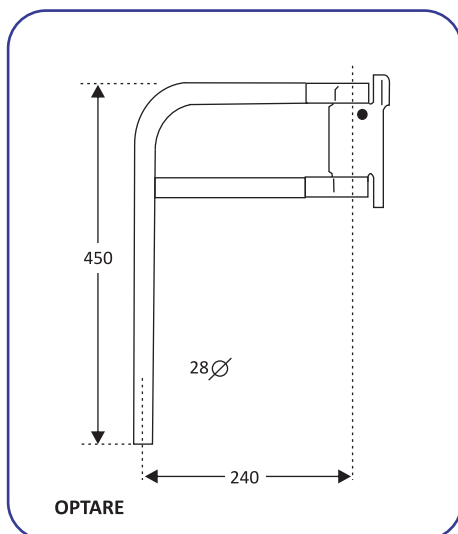
**Y2672**



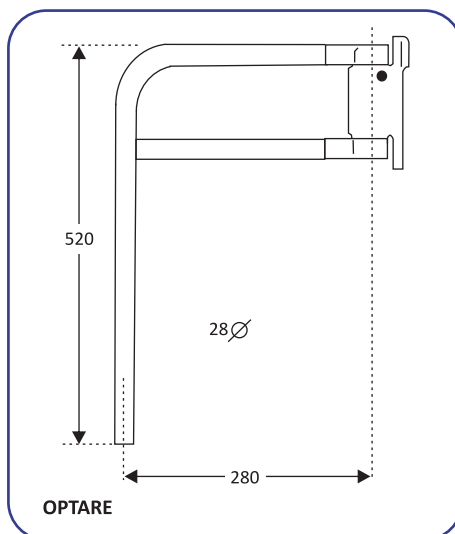
**S1550-16/45**



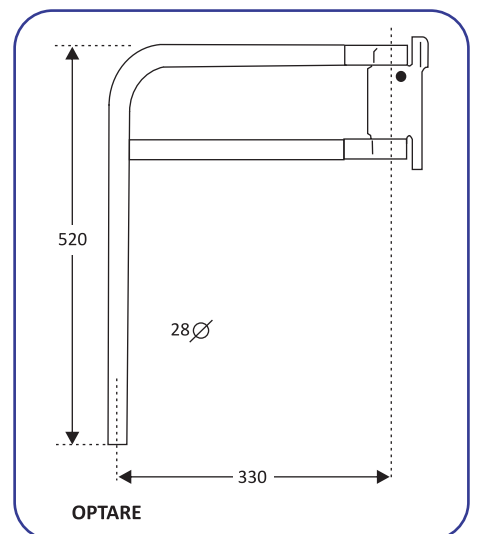
**S1550-16/55**



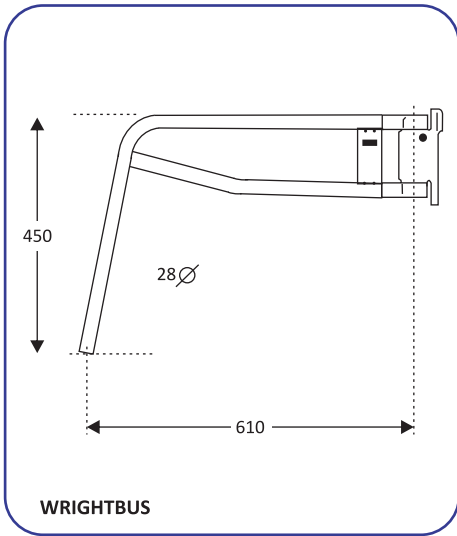
**S1550-24/45**



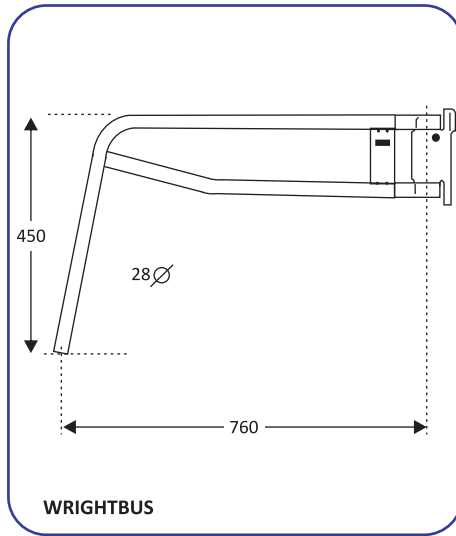
**S1550-28/52**



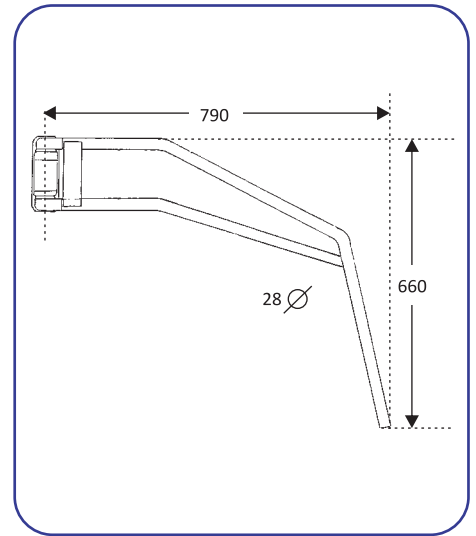
**S1550-33/52**



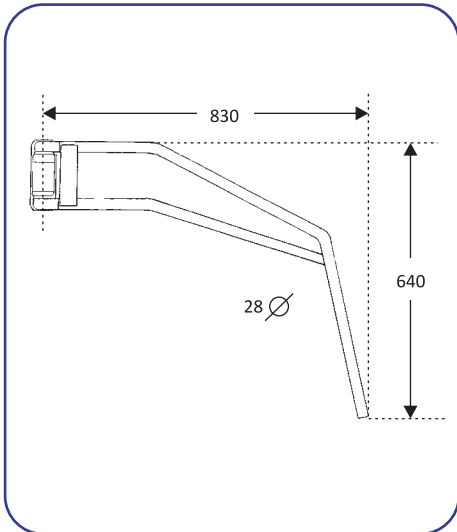
**S1550-61/45**



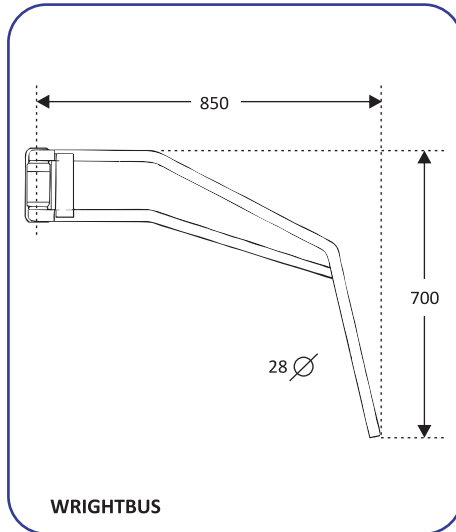
**S1550-76/45**



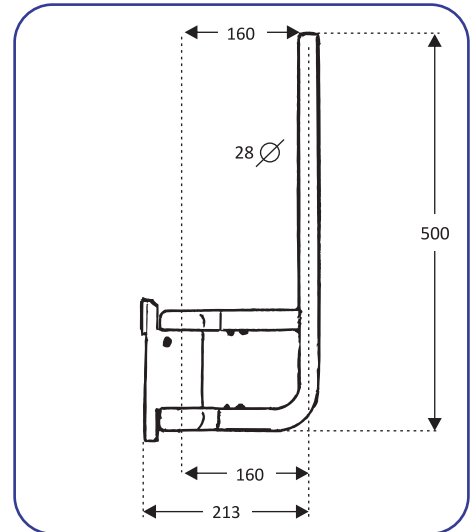
**S1550-79/66**



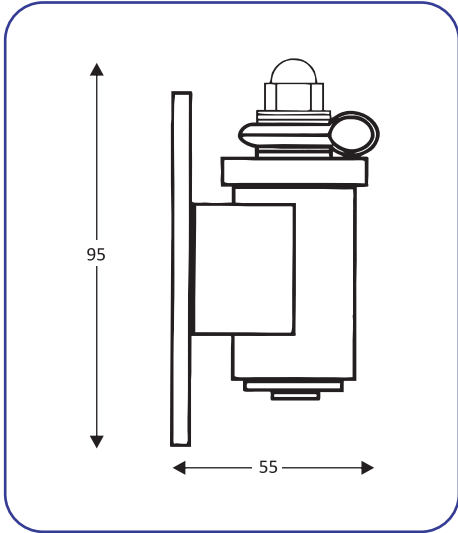
**S1550-83/64**



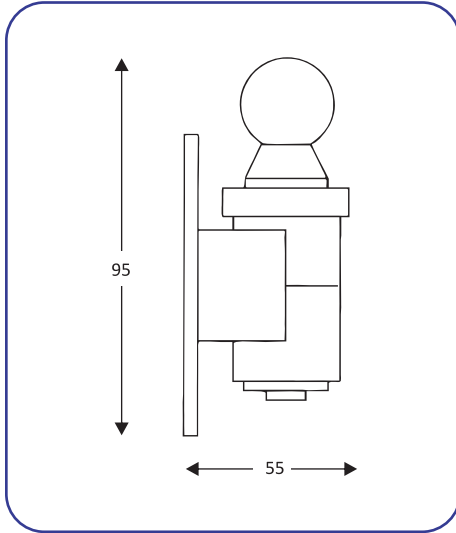
**S1550-85/70**



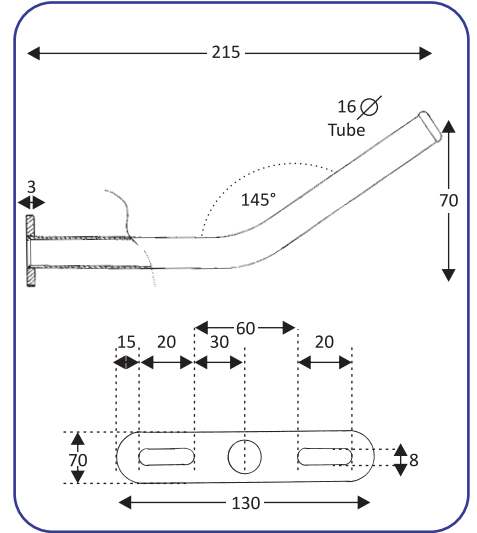
**S1551-16/50**



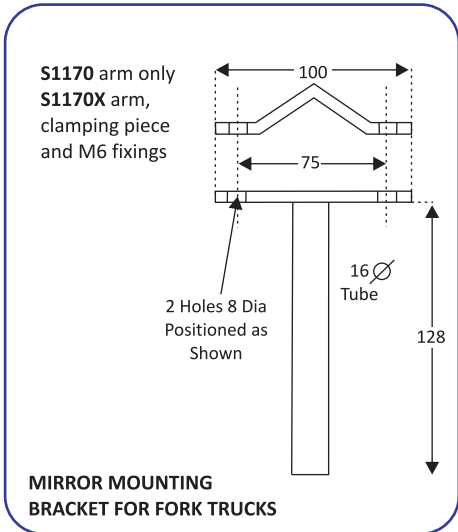
**S1084-3**



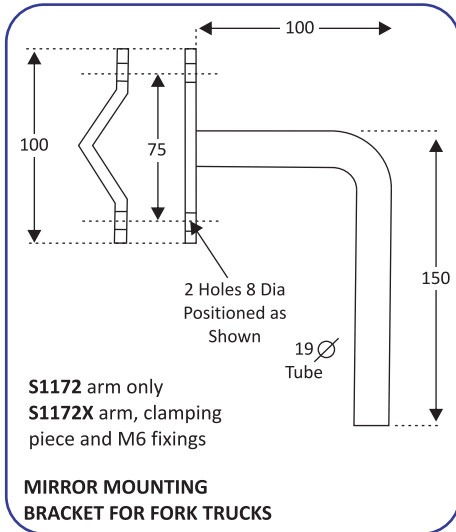
**S1085-3**



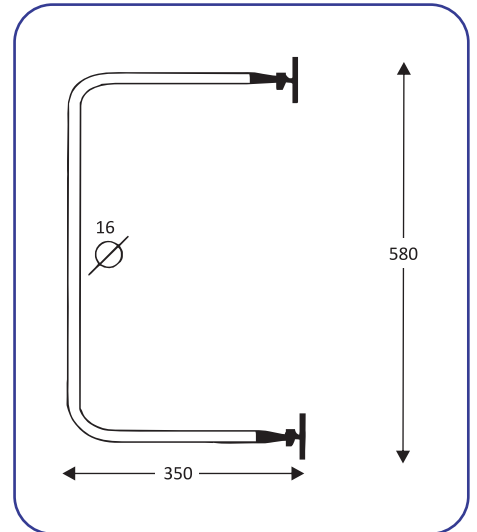
**S1090**



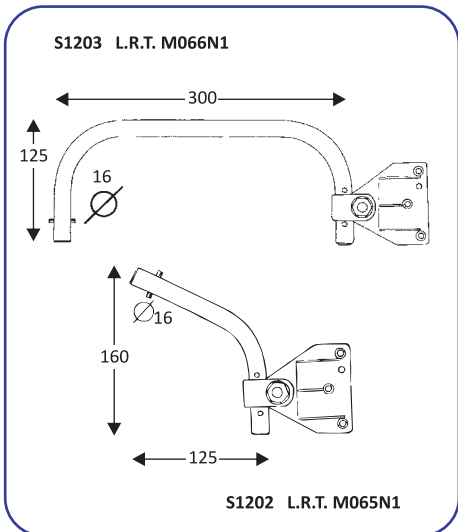
**S1170 - S1170X**



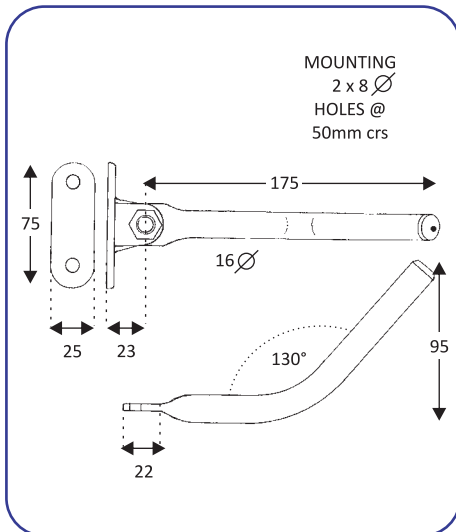
**S1172 - S1172X**



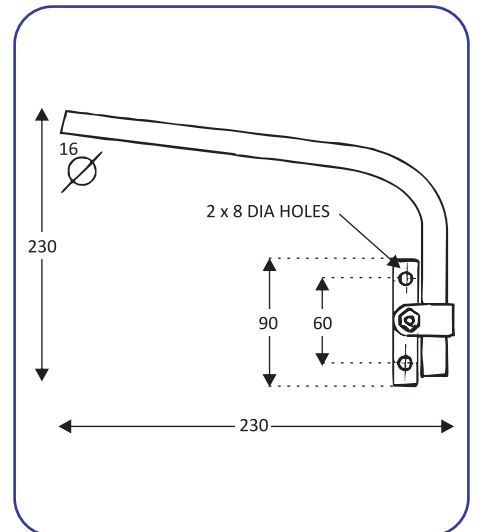
**S1199 (Non Indexing)**



**S1202 - S1203**



**S1216**



**S1217**



**S1400**



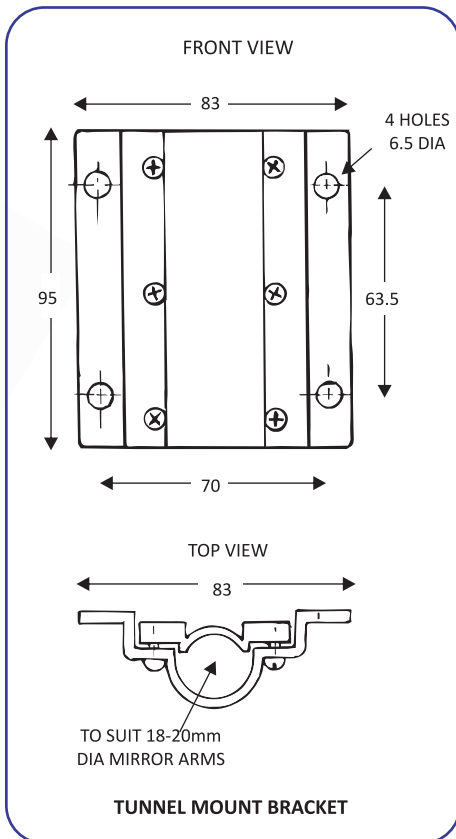
**S1401**



**S1402**



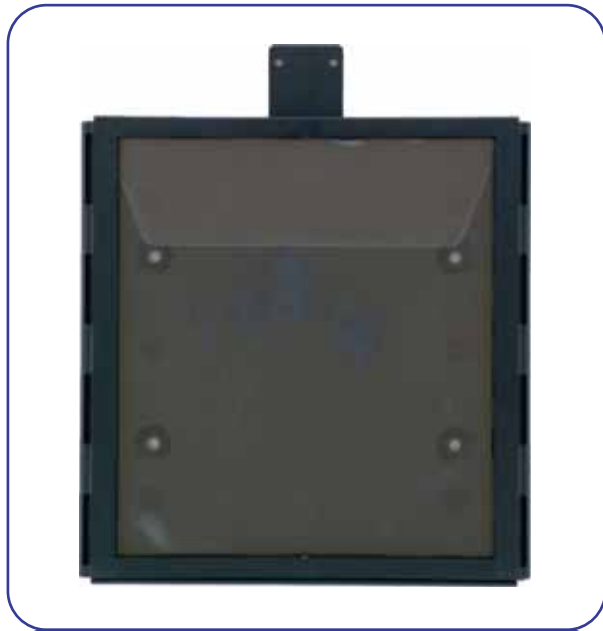
**S1406**



**Y2671**



**Y2680**



## PLH52

VTG6A lightweight MOT plate holder

**Body:**  
rustproof glass filled nylon

**Dimensions:**  
187mm x 180mm

Complete with clear plastic envelope



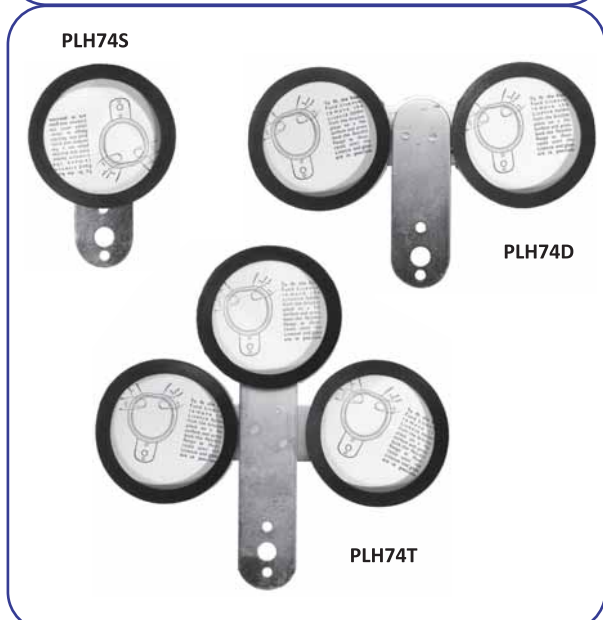
## PLH60

Vehicle height indicator

**Body:**  
rustproof glass filled nylon

**Dimensions:**  
187mm x 180mm

Changeable numerals from 8ft to 19ft 11".



## PLH74S

Single pliable licence holder

**Back & stem:**  
zinc plated steel

## PLH74D

Double pliable licence holder

**Back & stem:**  
zinc plated steel

## PLHT7

Triple pliable licence holder

**Back & stem:**  
zinc plated steel





Spares kits for mirrors with **quick-change** mirror glass system.

- Y2645** Spares kit for M238 series
- Y2646** Spares kit for M610 series
- Y2648** Spares kit for M902 & M903 series
- Y2649** Spares kit for M807 series
- Y2650** Spares kit for M602CE mirrors
- Y2651** Spares kit for M701CE mirrors
- Y2652** Spares kit for M310 & M410 series
- Y2653** Spares kit for M702CE mirrors
- Y2654** Spares kit for M703 & M802 series
- Y2655** Spares kit for M520 series
- Y2656** Spares kit for M621, M900 & M901series
- Y2657** Spares kit for M910 & M911 mirrors
- Y2658** Spares kit for M714 series
- Y2659** Spares kit for M613CE mirrors



- Y2177** 2 way plug with 2 metre cable (straight connection)
- Y2675** 6 way plug with 2 metre cable
- Y2676** 2 way plug with 2 metre cable ("L" connection)



- Y2677-24** 24 volt 4 way mirror adjustment switch (both sides)
  - Y2677-12** 12 volt 4 way mirror adjustment switch (both sides)
- Complete with 2 metres of cable
- Dimensions:**  
47mm x 38mm to fit hole 44mm x 33mm

## The new universal Class VI mirror from Ashtree Glass

UltraView™ is the new universal class VI front view mirror from Ashtree Glass. The EU recognised that trucks have a huge blind spot under the windscreen and so new trucks from 2007 on, have a front view mirror by law. Older models don't but they still have the same blind spot. The image to the right shows the view from the drivers seat of a truck. From this can you tell that there are 19 children in front of the truck?



Can you tell there is a large group of children in front of this truck?



This is what the driver can't see

On the image above you can see the 19 children in front of the truck. The driver would be completely oblivious to their presence.



With the UltraView™ he can now see the children in front of the truck

Now we have mounted the UltraView™ mirror the children can be seen. Using clever plastics technology it gives the driver a far larger field of vision than a standard glass lens would. Glass has technical limitations and can only be made to a certain radius or size; plastic can be moulded to any radius and any size. The UltraView™, with its high quality plastic lens, gives a huge field of vision but is a fraction of the price of a main dealer part.



The white lines show the area of visibility required from the front view mirror on a new truck

The image on the left shows the field of visibility required of a class VI, front view mirror, on a new truck. As you can see, because of the extra visibility created by using a wider angle lens, the UltraView™ mirror meets and easily surpasses this requirement. Correct positioning of the mirror will mean that the front of the truck can be seen and also a lot more of the nearside kerb. The UltraView™ is "E" approved for use in a class VI application. Testing and approval was carried out by the VCA (Vehicle Certification Agency)

Thank you to Lady Lane Park School and Buntons Plant Hire for their assistance with these images.



PLANT HIRE • EXCAVATION CONTRACTORS • GROUNDWORKS • AGGREGATES

## Ashtree builds an extension

When Ashtree works was purchased in 1984 we barely filled a corner of the building. Over the years we have redeveloped the site to such an extent that only the four outer, and a few interior, walls remain of the original Victorian structure. In 2011 we made a decision to extend onto a piece of land we owned on the side of the building and in the spring of 2012 work commenced. The following images show the building work as it progressed.



Site clearance work commences.  
Here an old electricity sub station is demolished.



The cleared site is prepared for steel works to be erected.



With concrete pads in place the steel frame can be assembled.



The steel frame quickly takes shape.



Concrete for the upper floor is pumped in from a truck.



With the concreting finished work commences on the outer walls.



Cladding and roofing work continues.



Our 2 storey, 600 square metre, extension is complete. It provides us with extra manufacturing, warehousing and office space.

# Manufacturing quality mirrors since 1977



Manufacturing a comprehensive range of mirrors and accessories for commercial vehicles.

**Visit our new website for:**

Catalogue downloads  
Product updates  
Latest news

[www.avsuk.co](http://www.avsuk.co)



Ashtree Works Brownroyd Street Bradford BD8 9AF UK  
Tel: (0)1274 546732 • Fax: (0)1274 548525  
Email: [sales@avsuk.co](mailto:sales@avsuk.co)  
[www.avsuk.co](http://www.avsuk.co)



© Ashtree Vision & Safety 2013  
Catalogue 01/13