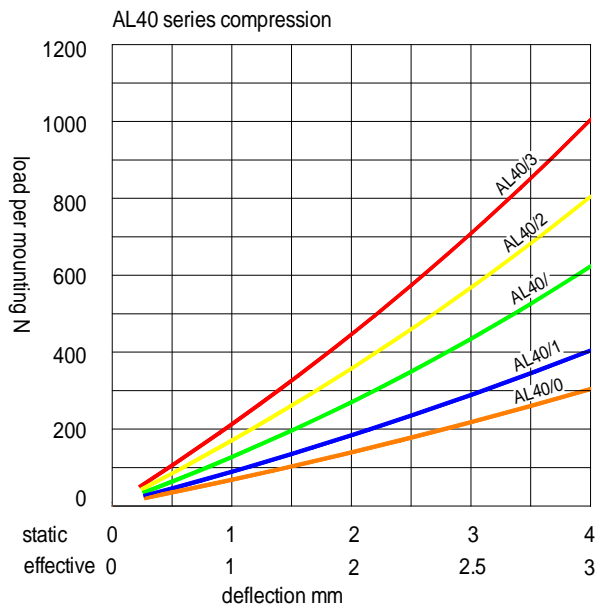
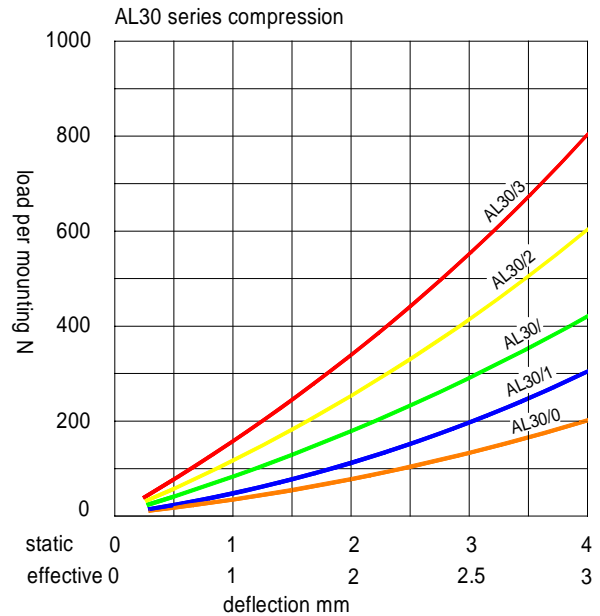
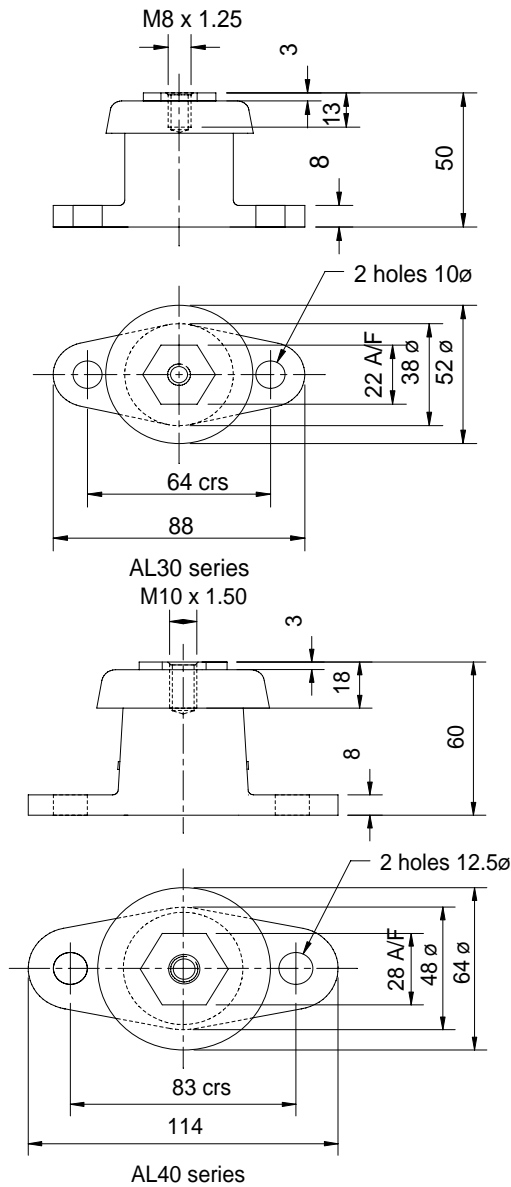


Technical data

AL series 100 – 1000N  
AL30 and AL40 series



The AL series of mountings offer a captive installation and have been designed to isolate medium/high frequency vibration. The property of increasing stiffness with deflection helps provide smooth cushioning to movements in compression whilst a rebound washer fitted internally limits the movement resulting from reverse loads. The mountings are particularly suitable for applications where movement resulting from dynamic loads has to be accommodated and restrained. To determine the natural frequency of a particular mounting under load, the "effective deflection" should be used. This is given with the load/deflection characteristics on the lower of the two scales for each series. Typical applications include the mounting of mobile equipment, e.g. mobile compressors, generators and fan and motor equipment.



Technical data

AL series 100 – 2500N

AL40M and AL 50 series

